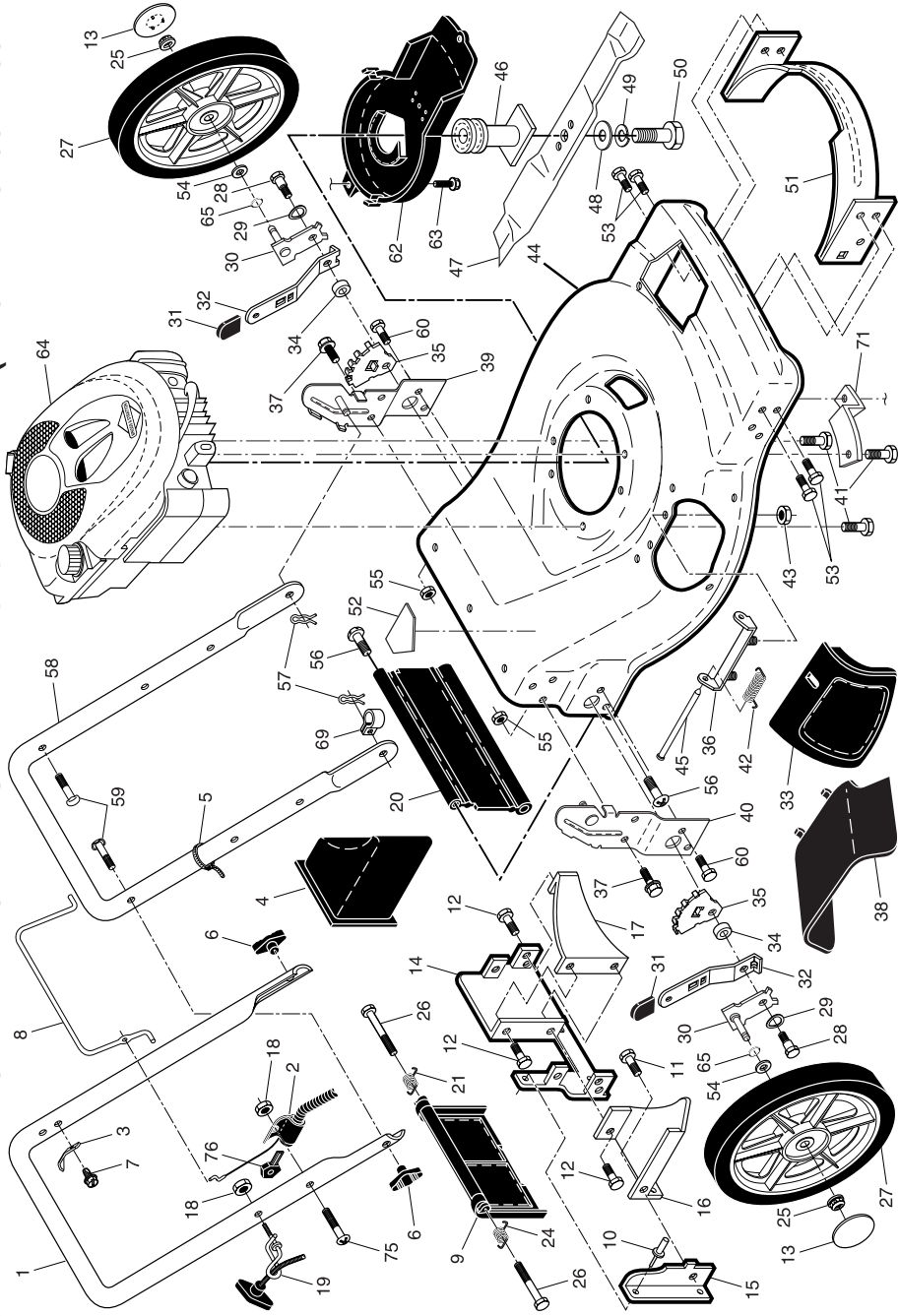


REPAIR PARTS MANUAL
MODEL NO. PR625Y22RKPX
(MFG. ID. NO. 96142004100)
Rotary Lawn Mower

For Parts and Service, contact our authorized distributor: call 1-800-849-1297
For Technical Assistance: call 1-800-829-5886

Poulan PRO

Poulan PRO



LIMITED WARRANTY

The Manufacturer warrants to the original consumer purchaser that this product as manufactured is free from defects in materials and workmanship. For a period of two (2) years from date of purchase by the original consumer purchaser, we will repair or replace, at our option, without charge for parts or labor incurred in replacing parts, any part which we find to be defective due to materials or workmanship. This Warranty is subject to the following limitations and exclusions.

1. This warranty does not apply to the engine, transaxle/transmission components, battery (except as noted below) or components parts thereof. Please refer to the applicable manufacturer's warranty on these items.
2. Transportation charges for the movement of any power equipment unit or attachment are the responsibility of the purchaser. Transportation charges for any parts submitted for replacement under this warranty must be paid by the purchaser unless such return is requested by the manufacturer.
3. Battery Warranty: On products equipped with a Battery, we will replace, without charge to you, any battery which we find to be defective in manufacture, during the first ninety (90) days of ownership. After ninety (90) days, we will exchange the Battery, charging you 1/12 of the price of a new Battery for each full month from the date of the original sale. Battery must be maintained in accordance with the instructions furnished.
4. The Warranty period for any products used for rental or commercial purposes is limited to 45 days from the date of original purchase.
5. This Warranty applies only to products which have been properly assembled, adjusted, operated, and maintained in accordance with the instructions furnished. This Warranty does not apply to any product which has been subjected to alteration, misuse, abuse, improper assembly or installation, delivery damage, or to normal wear of the product.
6. Exclusions: Excluded from this Warranty are belts, blades, blade adapters, normal wear, normal adjustments, standard hardware and normal maintenance.
7. In the event you have a claim under this Warranty, you must return the product to an authorized service dealer.

Should you have any unanswered questions concerning this Warranty, contact:

Poulan Pro
Customer Service Department
1030 Stevens Creek Road
Augusta, GA 30907 USA

In Canada contact:
Poulan Pro
Customer Service Department
5855 Terry Fox Way
Mississauga, Ontario L5V 3E4

giving the model number, serial number and date of purchase of your product and the name and address of the authorized dealer from whom it was purchased.

THIS WARRANTY DOES NOT APPLY TO INCIDENTAL OR CONSEQUENTIAL DAMAGES AND ANY IMPLIED WARRANTIES ARE LIMITED TO THE SAME TIME PERIODS STATED HEREIN FOR OUR EXPRESSED WARRANTIES.

Some areas do not allow the limitation of consequential damages or limitations of how long an implied Warranty may last, so the above limitations or exclusions may not apply to you. This Warranty gives you specific legal rights, and you may have other rights which vary from locale to locale.

This is a limited Warranty within the meaning of that term as defined in the Magnuson-Moss Act of 1975.

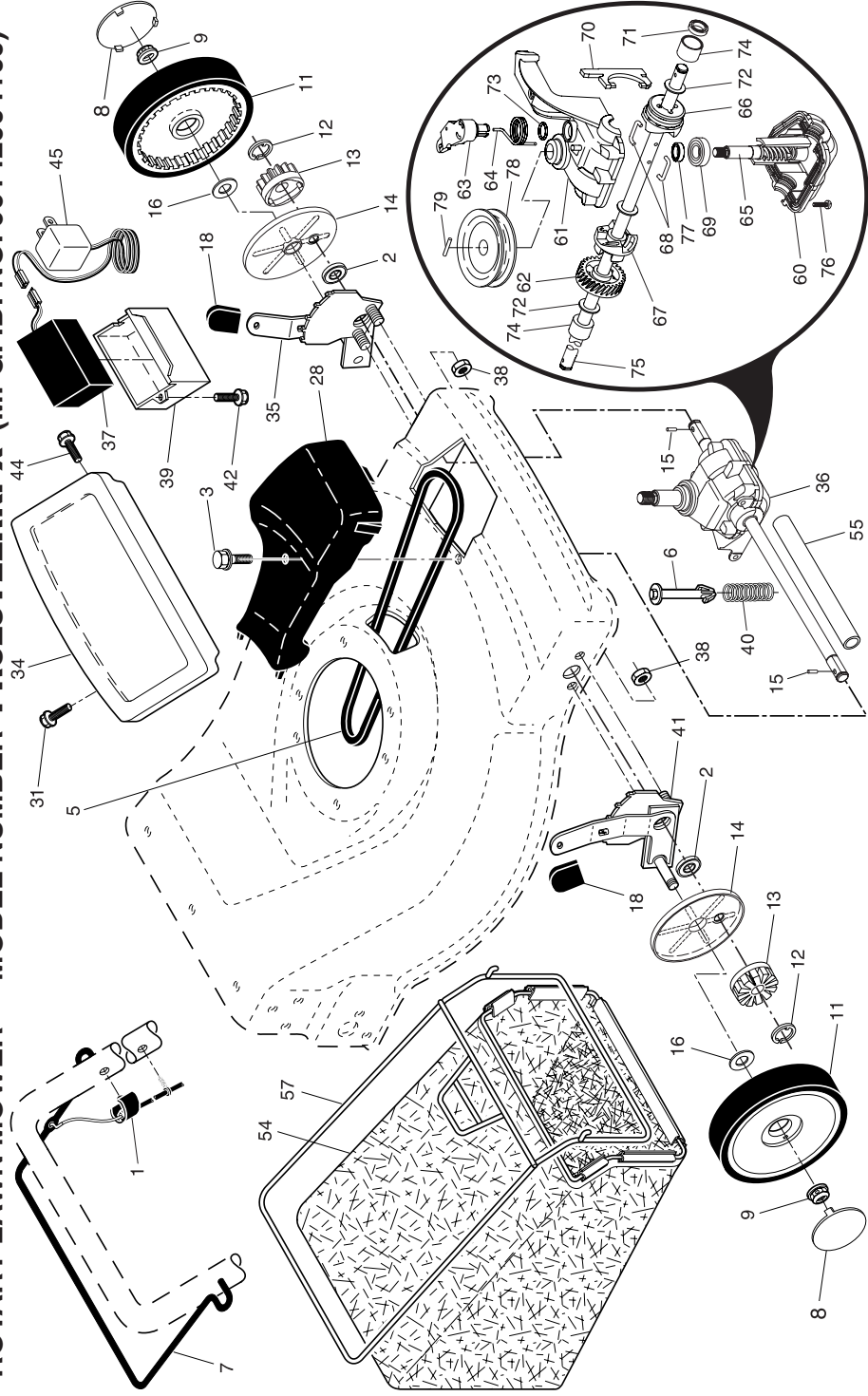
ROTARY LAWN MOWER -- MODEL NUMBER PR625Y22RKPX (MFG. ID. NO. 96142004100)

KEY NO.	PART NO.	DESCRIPTION	KEY NO.	PART NO.	DESCRIPTION	KEY NO.	PART NO.	DESCRIPTION
1	194203X479	Upper Handle	28	142748	Bolt, Shoulder 3/8-16 x 1	51	170031	Kit, Front Baffle (Includes Key Number 53)
2	189686	Key Start Switch (Includes Key)	29	401630	Washer, Curved, Cylindrical	52	404763	Danger Decal
3	850733X004	Bracket, Upstop	30	401180X004	Axle Arm Assembly	53	17600406	Screw, Serrated, TT 1/4-20
4	166649	Mulcher Plug	31	701037X421	Selector Knob	54	88348	Washer, Flat
5	66426	Wire Tie	32	401626X004	Selector Spring	55	751592	Nut, Hex 3/8-16
6	189713X428	Handle Knob	33	189917X428	Mulcher Door	56	88652	Hinge Screw 1/4-20 x 1-1/4
7	750634	Screw	34	401629	Spacer	57	51793	Hairpin Cotter
8	194199X421	Control Bar	35	700325X005	Wheel Adjusting Bracket	58	400512X479	Lower Handle
9	401813X428	Rear Door Assembly	36	175735	Hinge Bracket Assembly	59	191574	Handle Bolt
10	128415	Pop Rivet	37	150078	Screw, Sems, Thread Cutting 5/16-18 x 3/4	60	74760612	Bolt, Hex Head 3/8-16 x 3/4
11	150050	Screw, Self-Tapping #10-24 x 5/8	38	402574X428	Discharge Deflector	62	405843	Debris Shield
12	54583	Screw, Hex Hex Head, Sems 1/4-20 x 1/2	39	195915X479	Handle Bracket Assembly, LH	63	192325	Screw, Debris Shield
13	407794X421	Hubcap	40	195914X479	Handle Bracket Assembly, RH	64	---	Model Number 122T05 (For engine service and replacement parts, call Briggs & Stratton at 1-800-233-3723)
14	195622X479	Back Plate	41	150406	Screw, Hex Head, Threaded, Rolled 3/8-16 x 1-1/8	65	197480	O-Ring
15	410545X479	Side Baffle	42	193000	Spring, Torsion	69	197991	Clip, Cable
16	176655X479	Discharge Baffle	43	73800400	Nut, Hex, Nylock	71	188839X004	Mounting Bracket, Debris Shield
17	140661X479	Rear Baffle	44	412221	Kit, Mower Housing (Includes Key Numbers 14, 15 and 51)	75	186159	Screw
18	132004	Keps Locknut 1/4-20	45	175650	Rod, Hinge	76	180331	Key
19	194788	Rope Guide	46	189179	Blade Adapter / Pulley	--	404764	Warning Decal (not shown)
20	189008	Rear Skirt	47	406713	Blade, 22"	--	193732	Operator's Manual, English
21	405421	Spring, Rear Door, LH	48	851074	Washer, Hardened	--	193734	Operator's Manual, French
24	405423	Spring, Rear Door, RH	49	850263	Washer, Helical	--	412265	Repair Parts Manual
25	145212	Nut, Hex, Flanged	50	851084	Screw, Machine, Hex Head 3/8-24 x 1-3/8 Grade 8			
26	184193	Bolt, Rear Door						
27	408852X421	Wheel & Tire Assembly, Rear						

IMPORTANT: Use only Original Equipment Manufacturer (O.E.M.) replacement parts. Failure to do so could be hazardous, damage your lawn mower and void your warranty.

NOTE: All component dimensions given in U.S. inches. 1 inch = 25.4 mm.

ROTARY LAWN MOWER -- MODEL NUMBER PR625Y22RKPX (MFG. ID. NO. 96142004100)



4

ROTARY LAWN MOWER -- MODEL NUMBER PR625Y22RKPX (MFG. ID. NO. 96142004100)

KEY NO.	PART NO.	DESCRIPTION	KEY NO.	PART NO.	DESCRIPTION
1	194653	Drive Control Assembly (Includes Cable)	42	17411308	Screw, Battery Box
2	191039	Bearing, Wheel Adjuster	44	175551	Screw, Trimplate
3	175262	Pan Head Tapping Screw #10-24 x 2-3/4	45	190097	Charger, Battery
5	146527	V-Belt	54	412219	Grassbag Assembly
6	150495	Retainer, Spring	55	86012	Driveshaft Cover
7	194185X421	Bar, Drive Control	57	407454	Frame, Grassbag
8	407793X421	Hubcap	60	183497	* Case, Lower
9	83923	Locknut, Hex	61	183498	* Case, Upper
11	180775	Wheel & Tire Assembly, Front	62	183499	Gear, 27 Teeth
12	12000058	E-Ring	63	183500	Lever, Clutch
13	403849	Pinion	64	183501	Spring, Return
14	189403	Dust Cover	65	183502	Shaft, Input
15	191017	Pawl, Drive	66	183503	Dog, Movable
16	67725	Washer, Flat 3/8	67	183504	Dog, Fixed
18	701037X421	Selector Knob	68	183505	Wire, Formed
28	401271X428	Drive Cover	69	183506	Bearing, Ball
31	141841	Screw, Trimplate	70	183507	Fork, Shift
34	186153	Trimplate	71	183508	Seal, Output Shaft
37	189589	Battery	72	183509	Washer
39	186237	Battery Box	73	183510	Seal, Case
35	408802	Kit, Wheel Adjuster, LH (Includes Knob and Bearing)	74	183511	Bushing
36	199206	Gear Case Assembly, Complete	75	196613	Shaft, Output
38	73800400	Locknut 1/4-20	76	183513	Screw
40	137090	Spring	77	183514	Seal, Input Shaft
41	408803	Kit, Wheel Adjuster, RH (Includes Knob and Bearing)	78	199852	Pulley, Drive
			79	199419	Pin, Retainer

* Use Dow Corning #709 to reseal Gear Case Halves.

IMPORTANT: Use only Original Equipment Manufacturer (O.E.M.) replacement parts. Failure to do so could be hazardous, damage your lawn mower and void your warranty.

NOTE: All component dimensions given in U.S. inches. 1 inch = 25.4 mm.

5