

REPAIR PARTS MANUAL
MODEL NO. XT600Y22SHP
MFG. ID. NO. 96122001800
Rotary Lawn Mower

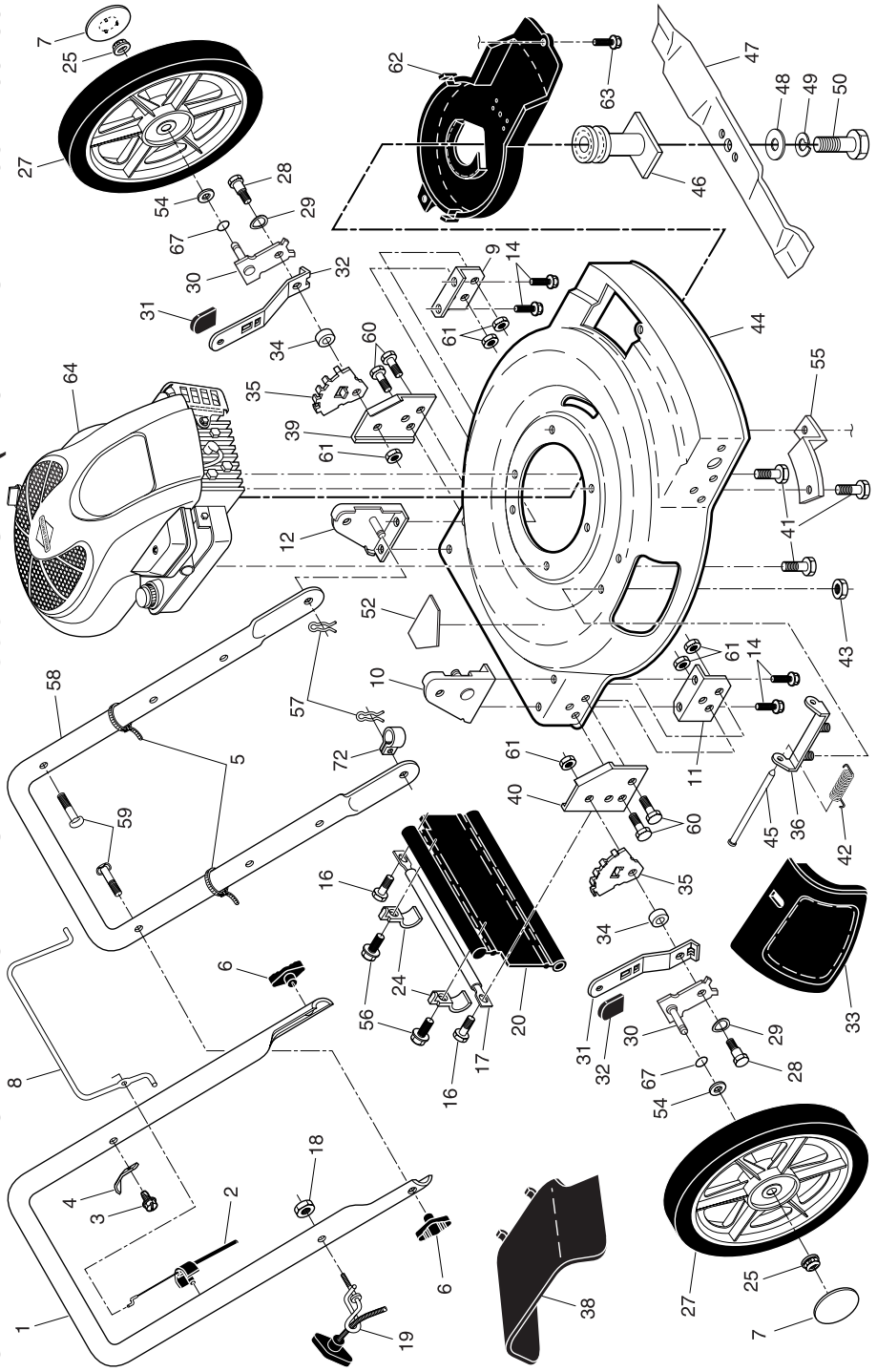
For Parts and Service, contact our authorized distributor: call 1-800-849-1297
For Technical Assistance: call 1-800-829-5886

Poulan PRO

Poulan PRO

412326 02.02.07 BY

Printed in U.S.A.



LIMITED WARRANTY

The Manufacturer warrants to the original consumer purchaser that this product as manufactured is free from defects in materials and workmanship. For a period of two (2) years from date of purchase by the original consumer purchaser, we will repair or replace, at our option, without charge for parts or labor incurred in replacing parts, any part which we find to be defective due to materials or workmanship. This Warranty is subject to the following limitations and exclusions.

1. This warranty does not apply to the engine, transaxle/transmission components, battery (except as noted below) or components parts thereof. Please refer to the applicable manufacturer's warranty on these items.
2. Transportation charges for the movement of any power equipment unit or attachment are the responsibility of the purchaser. Transportation charges for any parts submitted for replacement under this warranty must be paid by the purchaser unless such return is requested by the manufacturer.
3. Battery Warranty: On products equipped with a Battery, we will replace, without charge to you, any battery which we find to be defective in manufacture, during the first ninety (90) days of ownership. After ninety (90) days, we will exchange the Battery, charging you 1/12 of the price of a new Battery for each full month from the date of the original sale. Battery must be maintained in accordance with the instructions furnished.
4. The Warranty period for any products used for rental or commercial purposes is limited to 45 days from the date of original purchase.
5. This Warranty applies only to products which have been properly assembled, adjusted, operated, and maintained in accordance with the instructions furnished. This Warranty does not apply to any product which has been subjected to alteration, misuse, abuse, improper assembly or installation, delivery damage, or to normal wear of the product.
6. Exclusions: Excluded from this Warranty are belts, blades, blade adapters, normal wear, normal adjustments, standard hardware and normal maintenance.
7. In the event you have a claim under this Warranty, you must return the product to an authorized service dealer.

Should you have any unanswered questions concerning this Warranty, contact:

Poulan Pro
Customer Service Department
1030 Stevens Creek Road
Augusta, GA 30907 USA

In Canada contact:
Poulan Pro
Customer Service Department
5855 Terry Fox Way
Mississauga, Ontario L5V 3E4

giving the model number, serial number and date of purchase of your product and the name and address of the authorized dealer from whom it was purchased.

THIS WARRANTY DOES NOT APPLY TO INCIDENTAL OR CONSEQUENTIAL DAMAGES AND ANY IMPLIED WARRANTIES ARE LIMITED TO THE SAME TIME PERIODS STATED HEREIN FOR OUR EXPRESSED WARRANTIES.

Some areas do not allow the limitation of consequential damages or limitations of how long an implied Warranty may last, so the above limitations or exclusions may not apply to you. This Warranty gives you specific legal rights, and you may have other rights which vary from locale to locale.

This is a limited Warranty within the meaning of that term as defined in the Magnuson-Moss Act of 1975.

ROTARY LAWN MOWER -- MODEL NUMBER XT600Y22SHP (MFG. ID. NUMBER 96122001800)

KEY NO.	PART NO.	DESCRIPTION	KEY NO.	PART NO.	DESCRIPTION	KEY NO.	PART NO.	DESCRIPTION
1	194203X479	Upper Handle	30	401180X004	Axle Arm Assembly	54	88348	Washer, Flat
2	183567	Engine Zone Control Cable	31	701037	Knob, Selector	55	188839X004	Mounting Bracket, Debris Shield
3	750634	Screw	32	401621X004	Spring, Selector	56	750097	Screw, Hex Washer Head #10-24 x 1/2
4	850733X004	Bracket, Upstop	33	151889	Mulcher Door	57	51793	Hairpin Cotter
5	66426	Wire Tie	34	401629	Spacer	58	151590X479	Lower Handle
6	189713X428	Handle Knob	35	407501X005	Bracket, Wheel Adjuster	59	191574	Handle Bolt
7	407794X427	Hubcap	36	154132	Bracket, Housing	60	74760612	Bolt
8	194199X428	Control Bar	38	176509	Deflector, Discharge	61	751592	Locknut, Hex
9	153282X479	Support Bracket, Handle, LH	39	193248X479	Support Bracket, LH	62	405843	Debris Shield
10	170345X479	Handle Bracket, RH	40	193247X479	Support Bracket, RH	63	192325	Screw
11	153350X479	Support Bracket, Handle, RH	41	150406	Screw, Hex Head, Threaded, Rolled 3/8-16 x 1-1/8	64	---	Engine, Briggs & Stratton, Model Number 120T02
12	170346X479	Handle Bracket, LH	42	152124	Spring, Torsion			(For engine service and replacement parts, call Briggs & Stratton at 1-800-233-3723)
14	149741	Screw, Thread Cutting 5/16-18 x 3/4	43	738004000	Locknut, Hex			O-Ring
		Screw	44	195614	Kit, Lawn Mower Housing (Includes Key Number 46)			Clip, Cable
16	54583	Support Rod	45	147286	Rod, Hinge	67	197480	Warning Decal (not shown)
17	165175X479	Locknut, Keps	46	189179	Blade Adapter / Pulley	72	197991	Operator's Manual, English
18	132004	Rope Guide	47	406713	Blade, 22"	--	404764	Operator's Manual, French
19	194788	Rear Skirt	48	851074	Washer, Hardened	--	193733	Repair Parts Manual
20	189008	Clamp, Rear Skirt	49	850263	Washer, Lock, Helical			
24	192301X004	Locknut, Hex 3/18-16	50	851084	Screw, Hex Head, Grade 8 3/8-24 x 1-3/8			
25	145212	Wheel & Tire Assembly			Decal, Danger			
27	408852X427	Shoulder Bolt	52	404763				
28	142748	Washer, Curved, Cylindrical						
29	401630							

NOTE: All component dimensions given in U.S. inches. 1 inch = 25.4 mm. **IMPORTANT:** Use only Original Equipment Manufacturer (O.E.M.) replacement parts. Failure to do so could be hazardous, damage your lawn mower and void your warranty.

