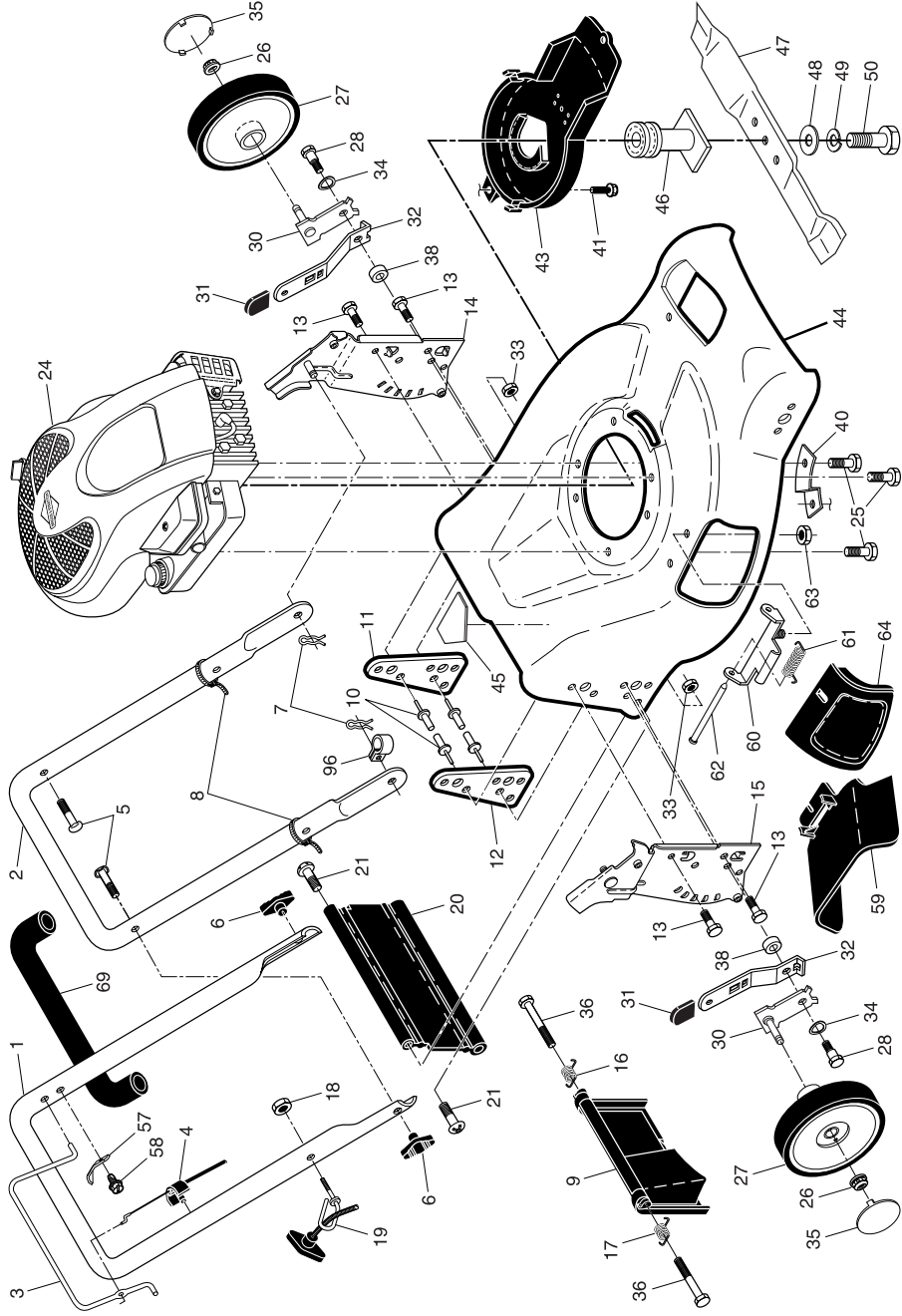


**REPAIR PARTS MANUAL**  
**MODEL NO. XT600Y21RP**  
**(MFG. ID. NO. 96142004200)**  
**Rotary Lawn Mower**

For Parts and Service, contact our authorized distributor: call 1-800-849-1297  
For Technical Assistance: call 1-800-829-5886

**Poulan PRO**

**Poulan PRO**



## LIMITED WARRANTY

The Manufacturer warrants to the original consumer purchaser that this product as manufactured is free from defects in materials and workmanship. For a period of two (2) years from date of purchase by the original consumer purchaser, we will repair or replace, at our option, without charge for parts or labor incurred in replacing parts, any part which we find to be defective due to materials or workmanship. This Warranty is subject to the following limitations and exclusions.

1. This warranty does not apply to the engine, transaxle/transmission components, battery (except as noted below) or components parts thereof. Please refer to the applicable manufacturer's warranty on these items.
2. Transportation charges for the movement of any power equipment unit or attachment are the responsibility of the purchaser. Transportation charges for any parts submitted for replacement under this warranty must be paid by the purchaser unless such return is requested by the manufacturer.
3. Battery Warranty: On products equipped with a Battery, we will replace, without charge to you, any battery which we find to be defective in manufacture, during the first ninety (90) days of ownership. After ninety (90) days, we will exchange the Battery, charging you 1/12 of the price of a new Battery for each full month from the date of the original sale. Battery must be maintained in accordance with the instructions furnished.
4. The Warranty period for any products used for rental or commercial purposes is limited to 45 days from the date of original purchase.
5. This Warranty applies only to products which have been properly assembled, adjusted, operated, and maintained in accordance with the instructions furnished. This Warranty does not apply to any product which has been subjected to alteration, misuse, abuse, improper assembly or installation, delivery damage, or to normal wear of the product.
6. Exclusions: Excluded from this Warranty are belts, blades, blade adapters, normal wear, normal adjustments, standard hardware and normal maintenance.
7. In the event you have a claim under this Warranty, you must return the product to an authorized service dealer.

Should you have any unanswered questions concerning this Warranty, contact:

Poulan Pro  
Customer Service Department  
1030 Stevens Creek Road  
Augusta, GA 30907 USA

In Canada contact:  
Poulan Pro  
Customer Service Department  
5855 Terry Fox Way  
Mississauga, Ontario L5V 3E4

giving the model number, serial number and date of purchase of your product and the name and address of the authorized dealer from whom it was purchased.

**THIS WARRANTY DOES NOT APPLY TO INCIDENTAL OR CONSEQUENTIAL DAMAGES AND ANY IMPLIED WARRANTIES ARE LIMITED TO THE SAME TIME PERIODS STATED HEREIN FOR OUR EXPRESSED WARRANTIES.**

Some areas do not allow the limitation of consequential damages or limitations of how long an implied Warranty may last, so the above limitations or exclusions may not apply to you. This Warranty gives you specific legal rights, and you may have other rights which vary from locale to locale.

This is a limited Warranty within the meaning of that term as defined in the Magnuson-Moss Act of 1975.

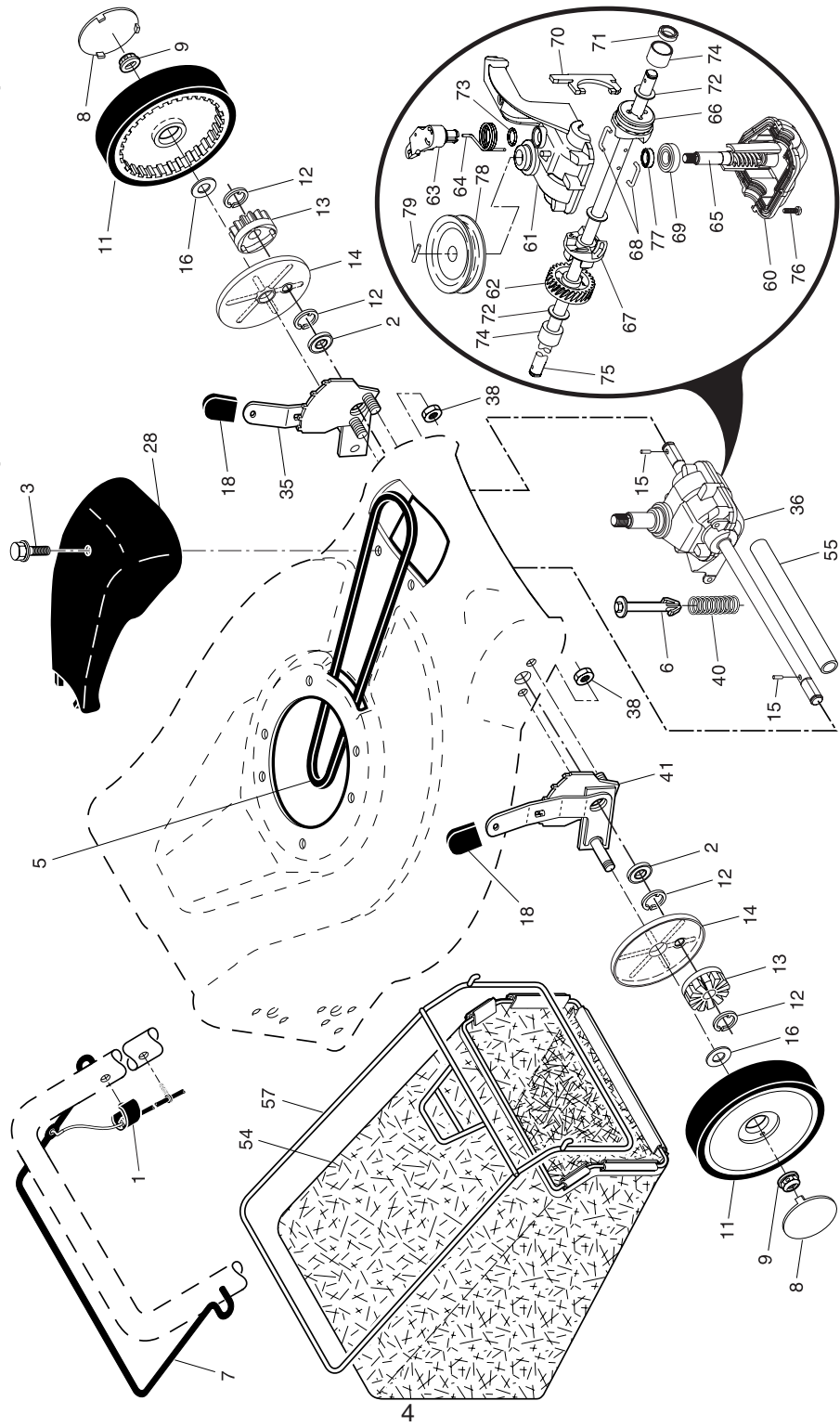
## ROTARY LAWN MOWER -- MODEL NUMBER XT600Y21RP (MFG. ID. NO. 96142004200)

KEY NO.	PART NO.	DESCRIPTION	KEY NO.	PART NO.	DESCRIPTION	KEY NO.	PART NO.	DESCRIPTION
1	402419	Upper Handle Assembly (Includes Foam Grip)	24	---	Engine, Briggs & Stratton, Model Number 120T02 (For engine service and replacement parts, call Briggs & Stratton at 1-800-233-3723)	43	405845	Debris Shield
2	151721X479	Lower Handle				44	412340	Kit, Lawn Mower Housing (Includes Key No. 11, 12, 45)
3	194199X428	Control Bar				45	404763	Danger Decal
4	183567	Engine Zone Control Cable				46	189179	Blade Adapter / Pulley
5	191574	Handle Bolt				47	406712	Blade, 21"
6	189713X428	Handle Knob	25	150406	Hex Head Thread Rolling Screw 3/8-16 x 1-1/8	48	851074	Hardened Washer
7	51793	Hairpin Cotter				49	850263	Helical Washer
8	66426	Wire Tie	26	409148	Hex Flange Nut	50	851084	Screw, Hex Head, Grade 8, 3/8-24 x 1-3/8
9	401812X428	Rear Door Assembly	27	151155	Wheel & Tire Assembly	57	850733X004	Bracket, Upstop
10	128415	Pop Rivet	28	401638	Shoulder Bolt	58	750634	Screw #10-24 x 1/2
11	406573X479	Support Bracket, LH				59	175071	Discharge Deflector
12	406574X479	Support Bracket, RH	30	401178X004	Axle Arm Assembly, Rear	60	173735	Hinge Bracket
13	17060410	Screw, Tapping 1/4-20 x 5/8	31	701037	Selector Knob	61	193000	Hinge Spring
14	175082X479	Handle Bracket, LH	32	401623X004	Selector Spring	62	175650	Hinge Rod
15	175081X479	Handle Bracket, RH	33	198541	Nut, Hex	63	738000400	Nut, Hex
16	405417	Spring, Rear Door, LH	34	401630	Washer, Curved, Cylindrical	64	175066	Mulcher Door
17	405418	Spring, Rear Door, RH	35	407793X427	Hubcap	69	186362	Foam Grip
18	132004	Nut, Hex 1/4-20	36	184193	Bolt, Rear Door	96	197991	Clip, Cable
19	194788	Rope Guide	39	401629	Spacer	--	404764	Warning Decal (not shown)
20	189005	Rear Skirt	40	188839X004	Mounting Bracket, Debris Shield	--	193733	Operator's Manual, English
21	88652	Hinge Screw 1/4-20 x 1-1/4	41	192325	Screw, Debris Shield	--	193736	Operator's Manual, French
						--	412339	Replacement Parts Manual

**IMPORTANT:** Use only Original Equipment Manufacturer (O.E.M.) replacement parts. Failure to do so could be hazardous, damage your lawn mower and void your warranty.

**NOTE:** All component dimensions given in U.S. inches. 1 inch = 25.4 mm.

**ROTARY LAWN MOWER -- MODEL NUMBER XT600Y21RP (MFG. ID. NO. 96142004200)**



**ROTARY LAWN MOWER -- MODEL NUMBER XT600Y21RP (MFG. ID. NO. 96142004200)**

KEY PART NO.	DESCRIPTION	KEY PART NO.	DESCRIPTION
1	Control Cable Assembly	55	Driveshaft Cover
2	Bearing, Wheel Adjuster	57	Frame, Grassbag
3	Pan Head Tapping Screw #10-24 x 2-3/4	60	* Case, Lower
5	V-Belt	61	* Case, Upper
6	Spring Retainer	62	Gear, 27 Teeth
7	Control Bar, Drive	63	Lever, Clutch
8	Hubcap	64	Spring, Return
9	Nut, Flangelock, Special Thread	65	Shaft, Input
11	Wheel & Tire Assembly	66	Dog, Movable
12	E-Ring	67	Dog, Fixed
13	Pinion	68	Wire, Formed
14	Dust Cover	69	Bearing, Ball
15	Pawl, Drive	70	Fork, Shift
16	Washer 1/2 x 1-1/2 x .134	71	Seal, Output Shaft
18	Selector Knob	72	Washer
28	Dive Cover	73	Seal, Case
35	Kit, Wheel Adjuster, LH (Includes Knob and Bearing)	74	Bushing
36	Gear Case Assembly, Complete	75	Shaft, Output
40	Locknut, Hex 1/4-20	76	Screw
41	Spring	77	Seal, Input Shaft
41	Kit, Wheel Adjuster, RH (Includes Knob and Bearing)	78	Drive Pulley
54	Grassbag	79	Pin, Retaining

\* Use Dow Corning #709 to reseal Gear Case Halves.

**IMPORTANT:** Use only Original Equipment Manufacturer (O.E.M.) replacement parts. Failure to do so could be hazardous, damage your lawn mower and void your warranty.

**NOTE:** All component dimensions given in U.S. inches. 1 inch = 25.4 mm.