

### LIMITED WARRANTY

The Manufacturer warrants to the original consumer purchaser that this product as manufactured is free from defects in materials and workmanship. For a period of two (2) years from date of purchase by the original consumer purchaser, we will repair or replace, at our option, without charge for parts or labor incurred in replacing parts, any part which we find to be defective due to materials or workmanship. This Warranty is subject to the following limitations and exclusions.

1. This warranty does not apply to the engine, transaxle/transmission components, battery (except as noted below) or components parts thereof. Please refer to the applicable manufacturer's warranty on these items.
2. Transportation charges for the movement of any power equipment unit or attachment are the responsibility of the purchaser. Transportation charges for any parts submitted for replacement under this warranty must be paid by the purchaser unless such return is requested by the manufacturer.
3. Battery Warranty: On products equipped with a Battery, we will replace, without charge to you, any battery which we find to be defective in manufacture, during the first ninety (90) days of ownership. After ninety (90) days, we will exchange the Battery, charging you 1/12 of the price of a new Battery for each full month from the date of the original sale. Battery must be maintained in accordance with the instructions furnished.
4. The Warranty period for any products used for rental or commercial purposes is limited to 45 days from the date of original purchase.
5. This Warranty applies only to products which have been properly assembled, adjusted, operated, and maintained in accordance with the instructions furnished. This Warranty does not apply to any product which has been subjected to alteration, misuse, abuse, improper assembly or installation, delivery damage, or to normal wear of the product.
6. Exclusions: Excluded from this Warranty are belts, blades, blade adapters, normal wear, normal adjustments, standard hardware and normal maintenance.
7. In the event you have a claim under this Warranty, you must return the product to an authorized service dealer.

Should you have any unanswered questions concerning this Warranty, contact:

Poulan Pro  
Customer Service Department  
1030 Stevens Creek Road  
Augusta, GA 30907 USA

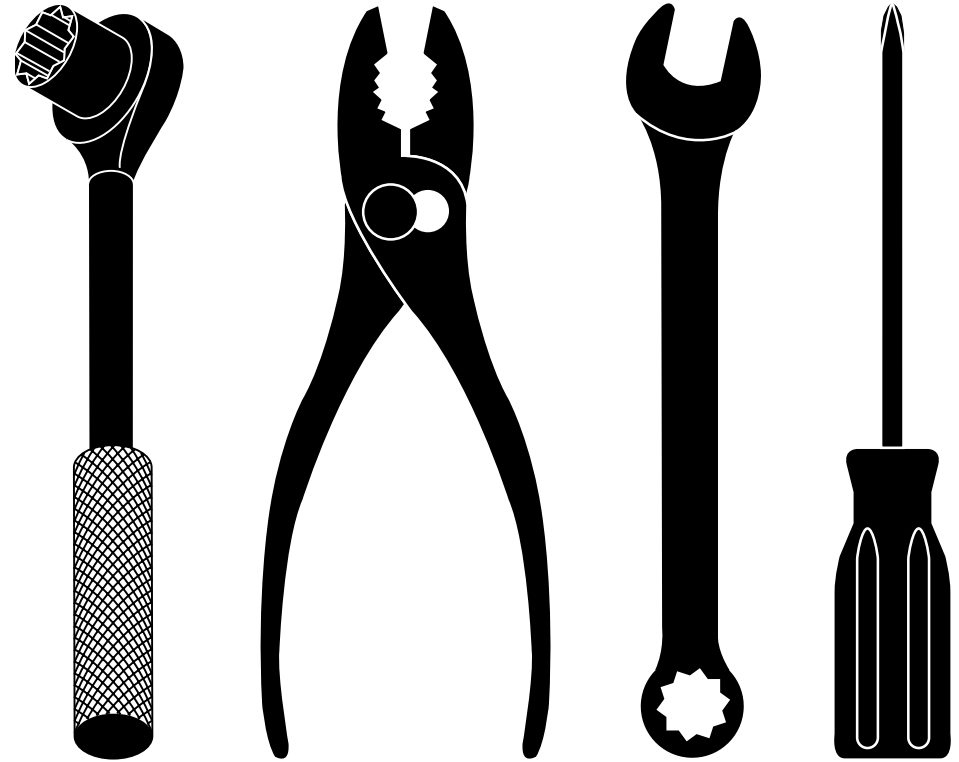
In Canada contact:  
Poulan Pro  
Customer Service Department  
5855 Terry Fox Way  
Mississauga, Ontario L5V 3E4

giving the model number, serial number and date of purchase of your product and the name and address of the authorized dealer from whom it was purchased.

**THIS WARRANTY DOES NOT APPLY TO INCIDENTAL OR CONSEQUENTIAL DAMAGES AND ANY IMPLIED WARRANTIES ARE LIMITED TO THE SAME TIME PERIODS STATED HEREIN FOR OUR EXPRESSED WARRANTIES.**

Some areas do not allow the limitation of consequential damages or limitations of how long an implied Warranty may last, so the above limitations or exclusions may not apply to you. This Warranty gives you specific legal rights, and you may have other rights which vary from locale to locale.

This is a limited Warranty within the meaning of that term as defined in the Magnuson-Moss Act of 1975.



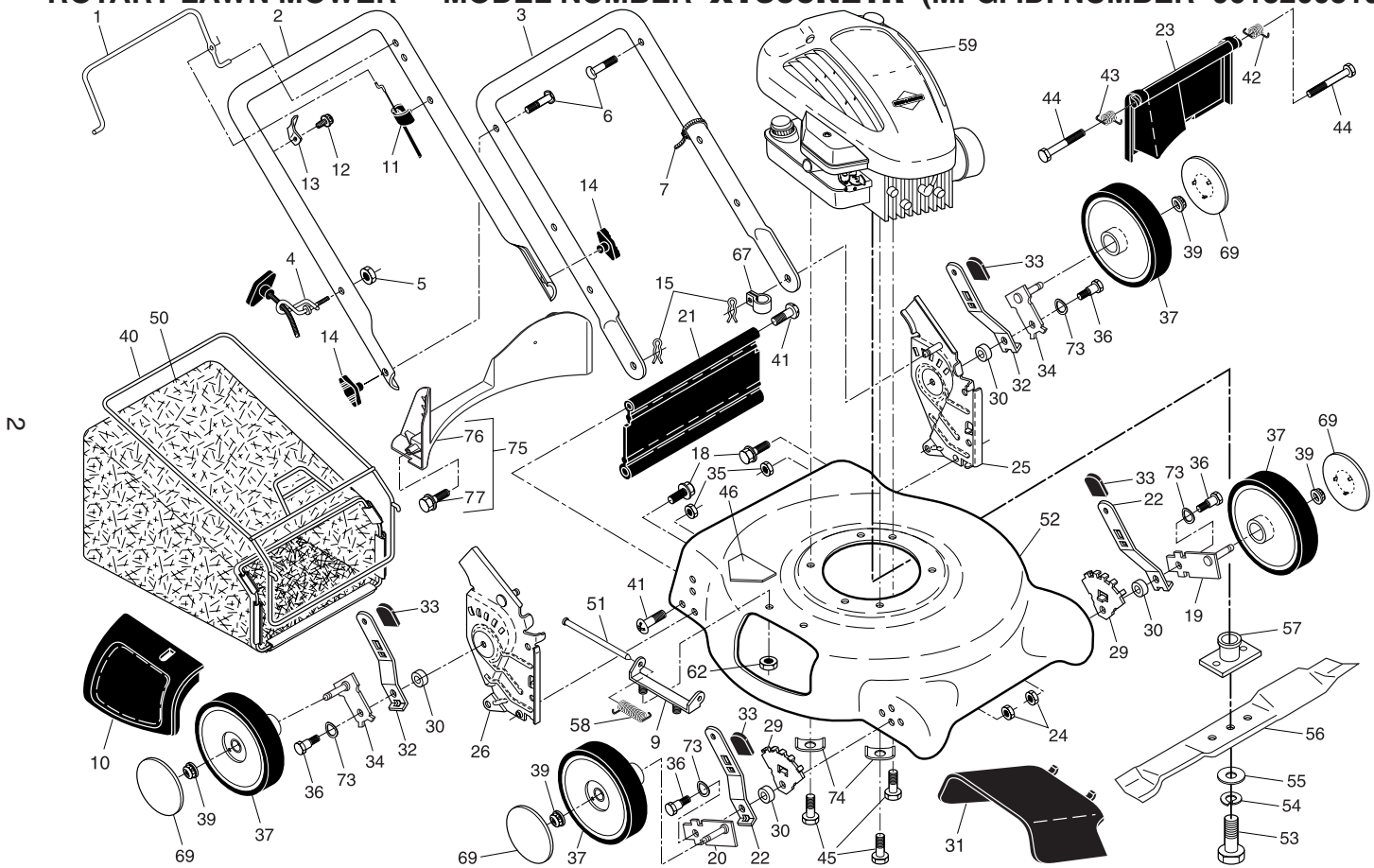
# REPAIR PARTS MANUAL MODEL NO. **XT500N21R** (MFG. ID. NO. 96132003101) Rotary Lawn Mower

For Parts and Service, contact our authorized distributor: call 1-800-849-1297  
For Technical Assistance: call 1-800-829-5886

# Poulan PRO

# Poulan PRO

# ROTARY LAWN MOWER - - MODEL NUMBER XT500N21R (MFG. ID. NUMBER 96132003101)



# ROTARY LAWN MOWER - - MODEL NUMBER XT500N21R (MFG. ID. NUMBER 96132003101)

KEY NO.	PART NO.	DESCRIPTION	KEY NO.	PART NO.	DESCRIPTION	KEY NO.	PART NO.	DESCRIPTION
1	194177X428	Control Bar	26	410388X479	Handle Bracket, RH	53	851084	Screw, Hex Head, Grade 8 3/8-24 x 1-3/8
2	194179X479	Upper Handle	28	152124	Spring, Torsion	54	850263	Helical Lockwasher
3	169708X479	Lower Handle	29	407494X005	Wheel Adjusting Bracket	55	851074	Hardened Washer
4	194788	Rope Guide	30	401629	Spacer	56	406712	21" Blade
5	132004	Nut, Hex	31	165760	Discharge Deflector	57	193825	Blade Adapter
6	191574	Handle Bolt	32	401623X004	Selector Spring, Rear	59	---	Engine, Briggs & Stratton, Model Number 10T502 (for engine service and replacement parts, call Briggs & Stratton at 1-800-233-3723)
7	66426	Wire Tie	33	701037	Selector Knob	62	73800400	Nut, Hex, Nylock 1/4-20
9	154132	Hinge Bracket Assembly	34	401173X004	Axle Arm Assembly, Rear	67	197991	Clip, Cable
10	165754	Mulcher Door	35	73930500	Nut, Hex	69	407793X427	Hubcap
11	176556	Engine Zone Control Cable	36	401638	Shoulder Bolt 5/16-18	73	401630	Washer, Flat
12	750634	Hex Washer Head Screw	37	151155	Wheel & Tire Assembly	74	851201X004	Washer, Special, Engine
13	86899X004	Up-Stop Bracket	39	409148	Locknut, Hex, Flanged	75	413693	Kit, Rear Baffle
14	189713X428	Handle Knob	40	401808	Frame, Grass Bag	76	410589	Baffle, Rear
15	51793	Hairpin Cotter	41	88652	Hinge Screw	77	17411312	Screw, Rear Baffle
18	17600406	Screw 1/4-20 x 3/8	42	405421	Spring, Rear Door, LH	--	404764	Warning Decal (not shown)
19	401174X004	Axle Arm Assembly, Front, LH	43	405423	Spring, Rear Door, RH	--	193732	Operator's Manual, English
20	401175X004	Axle Arm Assembly, Front, RH	44	184193	Bolt, Rear Skirt	--	193734	Operator's Manual, French
21	413160	Rear Skirt	45	150406	Screw, Hex Head, Threaded, Rolled 3/8-16 x 1	--	413905	Repair Parts Manual
22	401621X004	Selector Spring, Front	46	404763	Danger Decal			
23	401814X428	Rear Door Assembly	50	412336	Grass Bag			
24	166785	Locknut, Hex	51	147286	Hinge Rod			
25	410387X479	Handle Bracket, LH	52	413906	Kit, Housing Assembly (Includes Key Number 46)			

**NOTE:** All component dimensions given in U.S. inches. 1 inch = 25.4 mm.

**IMPORTANT:** Use only Original Equipment Manufacturer (O.E.M.) replacement parts. Failure to do so could be hazardous, damage your lawn mower and void your warranty.