

LIMITED WARRANTY

The Manufacturer warrants to the original consumer purchaser that this product as manufactured is free from defects in materials and workmanship. For a period of two (2) years from date of purchase by the original consumer purchaser, we will repair or replace, at our option, without charge for parts or labor incurred in replacing parts, any part which we find to be defective due to materials or workmanship. This Warranty is subject to the following limitations and exclusions.

1. This warranty does not apply to the engine, transaxle/transmission components, battery (except as noted below) or components parts thereof. Please refer to the applicable manufacturer's warranty on these items.
2. Transportation charges for the movement of any power equipment unit or attachment are the responsibility of the purchaser. Transportation charges for any parts submitted for replacement under this warranty must be paid by the purchaser unless such return is requested by the manufacturer.
3. Battery Warranty: On products equipped with a Battery, we will replace, without charge to you, any battery which we find to be defective in manufacture, during the first ninety (90) days of ownership. After ninety (90) days, we will exchange the Battery, charging you 1/12 of the price of a new Battery for each full month from the date of the original sale. Battery must be maintained in accordance with the instructions furnished.
4. The Warranty period for any products used for rental or commercial purposes is limited to 45 days from the date of original purchase.
5. This Warranty applies only to products which have been properly assembled, adjusted, operated, and maintained in accordance with the instructions furnished. This Warranty does not apply to any product which has been subjected to alteration, misuse, abuse, improper assembly or installation, delivery damage, or to normal wear of the product.
6. Exclusions: Excluded from this Warranty are belts, blades, blade adapters, normal wear, normal adjustments, standard hardware and normal maintenance.
7. In the event you have a claim under this Warranty, you must return the product to an authorized service dealer.

Should you have any unanswered questions concerning this Warranty, contact:

Poulan
Customer Service Department
1030 Stevens Creek Road
Augusta, GA 30907 USA

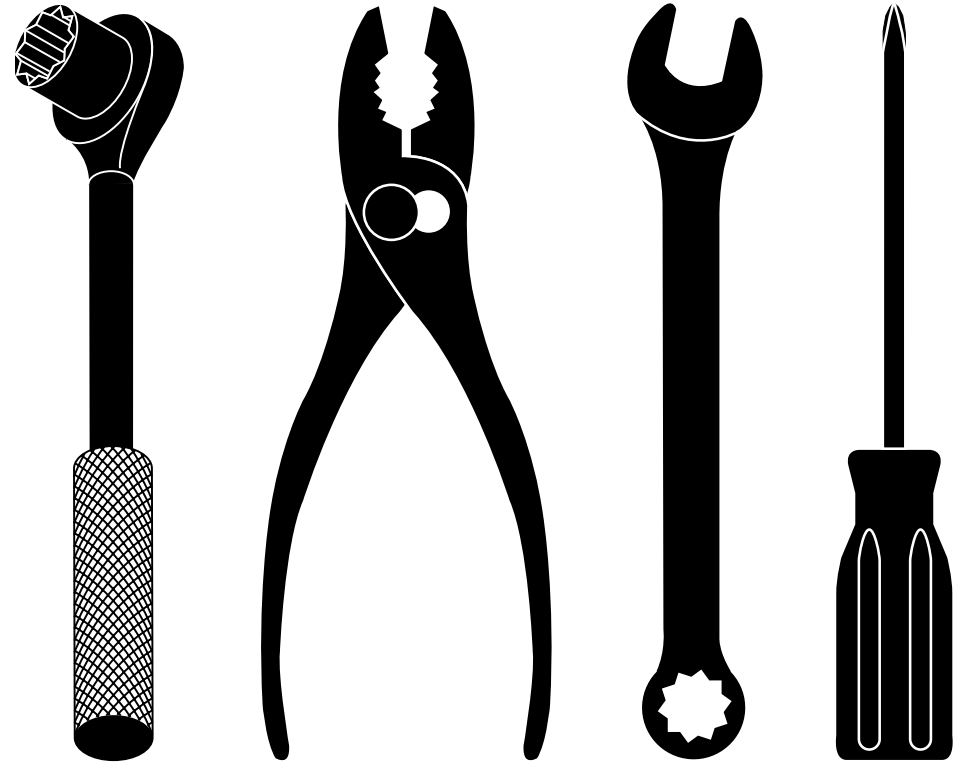
In Canada contact:
Poulan
Customer Service Department
5855 Terry Fox Way
Mississauga, Ontario L5V 3E4

giving the model number, serial number and date of purchase of your product and the name and address of the authorized dealer from whom it was purchased.

THIS WARRANTY DOES NOT APPLY TO INCIDENTAL OR CONSEQUENTIAL DAMAGES AND ANY IMPLIED WARRANTIES ARE LIMITED TO THE SAME TIME PERIODS STATED HEREIN FOR OUR EXPRESSED WARRANTIES.

Some areas do not allow the limitation of consequential damages or limitations of how long an implied Warranty may last, so the above limitations or exclusions may not apply to you. This Warranty gives you specific legal rights, and you may have other rights which vary from locale to locale.

This is a limited Warranty within the meaning of that term as defined in the Magnuson-Moss Act of 1975.



REPAIR PARTS MANUAL

MODEL NO. **PO500N21R**

MFG. ID. NO. **96132003002**

Rotary Lawn Mower

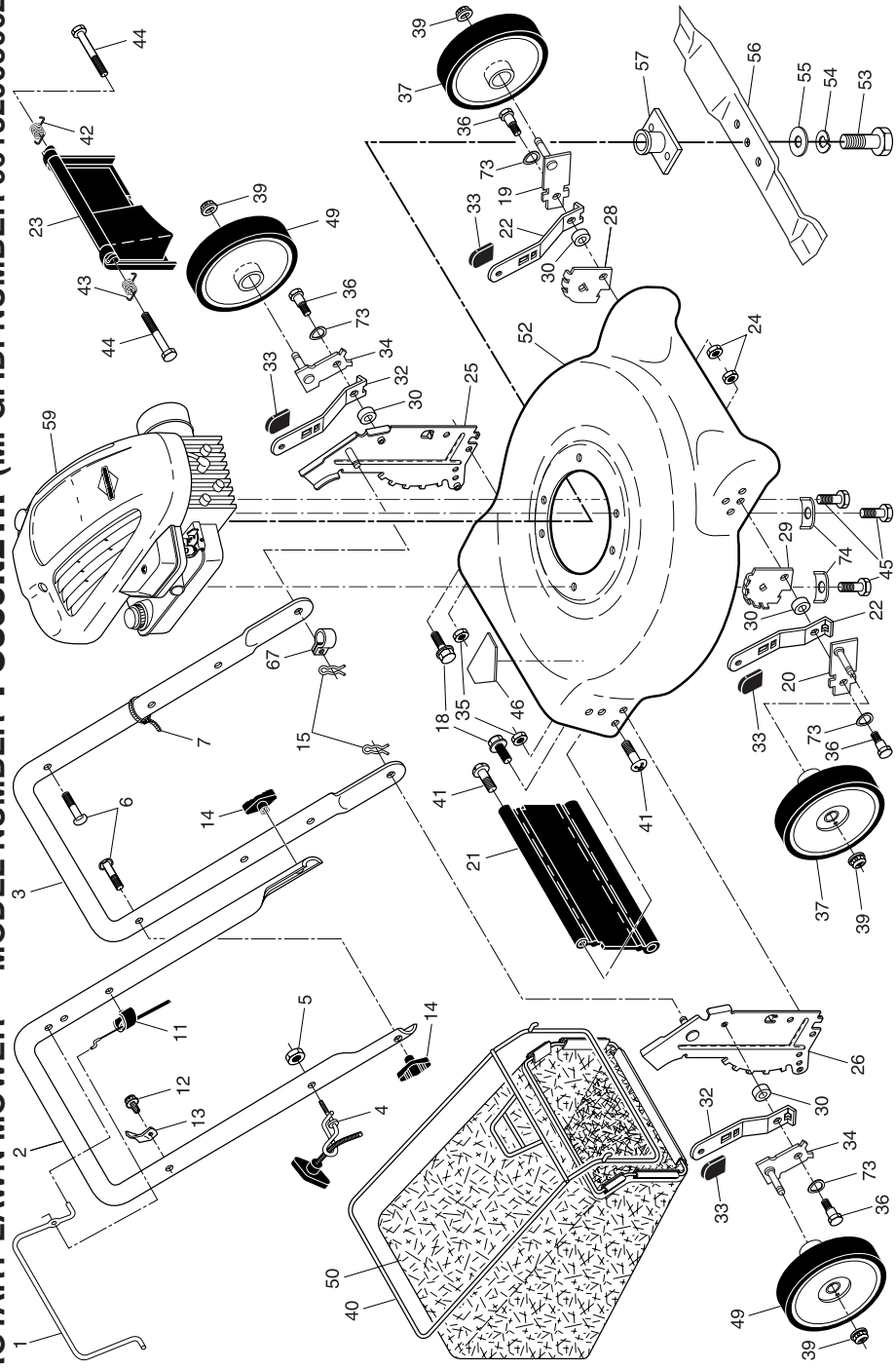
For Parts and Service, contact our authorized distributor: call 1-800-849-1297

For Technical Assistance: call 1-800-829-5886

Poulan

Poulan

ROTARY LAWN MOWER -- MODEL NUMBER PO500N21R (MFG. ID. NUMBER 96132003002)



2

ROTARY LAWN MOWER -- MODEL NUMBER PO500N21R (MFG. ID. NUMBER 96132003002)

KEY NO.	PART NO.	DESCRIPTION
1	194177X428	Control Bar
2	194179X479	Upper Handle
3	169708X479	Lower Handle
4	194788	Rope Guide
5	132004	Nut, Hex
6	191574	Handle Bolt
7	66426	Wire Tie
11	176556	Cable, Engine Zone Control
12	750634	Hex Washer Head Screw
13	86899X004	Up-Stop Bracket
14	189713X428	Knob, Handle
15	51793	Hairpin Cotter
18	17600406	Screw
19	401174X004	Axle Arm Assembly, Front, LH
20	401175X004	Axle Arm Assembly, Front, RH
21	413160	Rear Skirt
22	401621X004	Selector Spring, Front
23	401814X428	Rear Door Assembly
24	166785	Nut, Hex 5/16-18
25	410387X479	Handle Bracket Assembly, LH
26	410388X479	Handle Bracket Assembly, RH
28	407499X005	Wheel Adjusting Bracket, Front, LH
29	407500X005	Wheel Adjusting Bracket, Front, RH
30	401629	Spacer
32	401623X004	Selector Spring, Rear
33	87877	Selector Knob
34	401173X004	Axle Arm Assembly, Rear, LH
35	73930500	Locknut, Hex 5/16-18

3

KEY NO.	PART NO.	DESCRIPTION
36	401638	Shoulder Bolt 5/16-18
37	193931X427	Wheel & Tire Assembly, Front 7 x 1-3/4
39	409148	Flanged Locknut, Hex
40	411949	Frame, Grassbag
41	88652	Hinge Screw
42	405421	Spring, Rear Door, LH
43	405423	Spring, Rear Door, RH
44	184193	Bolt, Rear Door
45	150406	Hex Head Thread Rolling Screw 3/8-16 x 1
46	404763	Danger Decal
49	193905X427	Wheel & Tire Assembly, Rear 8 x 1-3/4
50	402263	Grassbag
52	410180	Kit, Lawn Mower Housing (Includes Key Numbers 17, 18 and 46)
53	851084	Hex Head Screw 3/8-24 x 1-3/8 Grade 8
54	850263	Helical Lockwasher
55	851074	Hardened Washer
56	406712	2 1/4" Blade
57	193825	Blade Adapter Engine, Briggs & Stratton, Model Number 10T502 (For engine service and replacement parts, call Briggs & Stratton at 1-800-233-3723)
59	---	Clip, Cable
67	197991	Washer, Curved, Cylindrical
73	401630	Washer, Special, Engine
74	851201X004	Warning Decal (not shown)
--	404764	Operator's Manual, English
--	193732	Operator's Manual, French
--	193734	Repair Parts Manual, English
--	417935	Repair Parts Manual, English

IMPORTANT: Use only Original Equipment Manufacturer (O.E.M.) replacement parts. Failure to do so could be hazardous, damage your lawn mower and void your warranty.

NOTE: All component dimensions given in U.S. inches. 1 inch = 25.4 mm.