

LIMITED WARRANTY

The Manufacturer warrants to the original consumer purchaser that this product as manufactured is free from defects in materials and workmanship. For a period of two (2) years from date of purchase by the original consumer purchaser, we will repair or replace, at our option, without charge for parts or labor incurred in replacing parts, any part which we find to be defective due to materials or workmanship. This Warranty is subject to the following limitations and exclusions.

1. This warranty does not apply to the engine, transaxle/transmission components, battery (except as noted below) or components parts thereof. Please refer to the applicable manufacturer's warranty on these items.
2. Transportation charges for the movement of any power equipment unit or attachment are the responsibility of the purchaser. Transportation charges for any parts submitted for replacement under this warranty must be paid by the purchaser unless such return is requested by the manufacturer.
3. Battery Warranty: On products equipped with a Battery, we will replace, without charge to you, any battery which we find to be defective in manufacture, during the first ninety (90) days of ownership. After ninety (90) days, we will exchange the Battery, charging you 1/12 of the price of a new Battery for each full month from the date of the original sale. Battery must be maintained in accordance with the instructions furnished.
4. The Warranty period for any products used for rental or commercial purposes is limited to 45 days from the date of original purchase.
5. This Warranty applies only to products which have been properly assembled, adjusted, operated, and maintained in accordance with the instructions furnished. This Warranty does not apply to any product which has been subjected to alteration, misuse, abuse, improper assembly or installation, delivery damage, or to normal wear of the product.
6. Exclusions: Excluded from this Warranty are belts, blades, blade adapters, normal wear, normal adjustments, standard hardware and normal maintenance.
7. In the event you have a claim under this Warranty, you must return the product to an authorized service dealer.

Should you have any unanswered questions concerning this Warranty, contact:

Poulan
Customer Service Department
1030 Stevens Creek Road
Augusta, GA 30907 USA

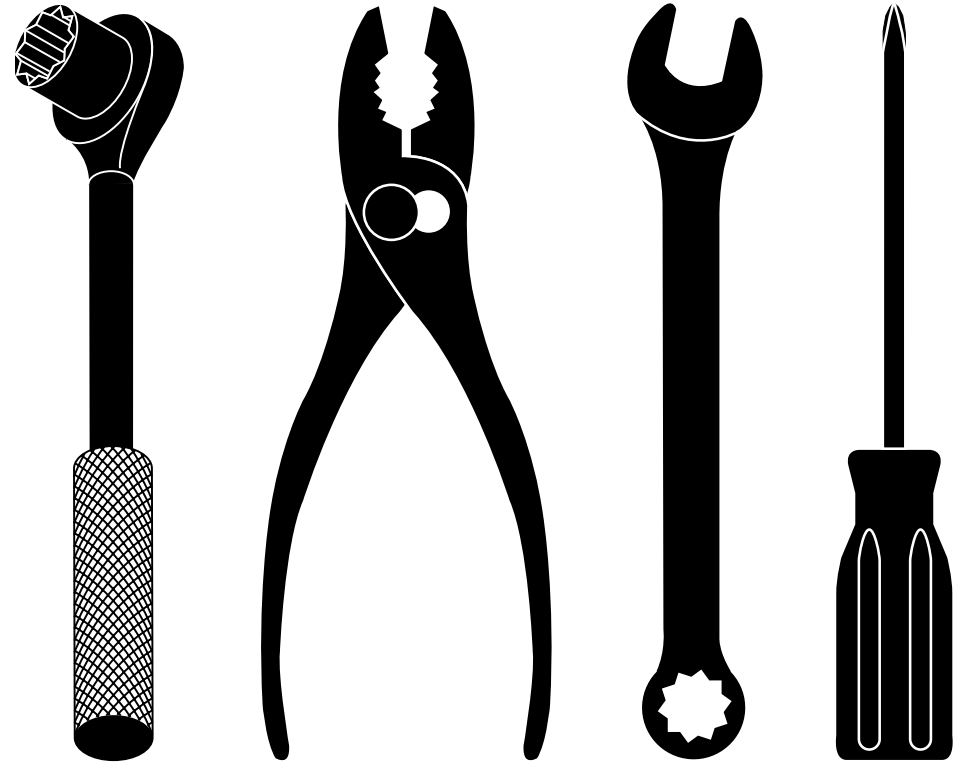
In Canada contact:
Poulan
Customer Service Department
5855 Terry Fox Way
Mississauga, Ontario L5V 3E4

giving the model number, serial number and date of purchase of your product and the name and address of the authorized dealer from whom it was purchased.

THIS WARRANTY DOES NOT APPLY TO INCIDENTAL OR CONSEQUENTIAL DAMAGES AND ANY IMPLIED WARRANTIES ARE LIMITED TO THE SAME TIME PERIODS STATED HEREIN FOR OUR EXPRESSED WARRANTIES.

Some areas do not allow the limitation of consequential damages or limitations of how long an implied Warranty may last, so the above limitations or exclusions may not apply to you. This Warranty gives you specific legal rights, and you may have other rights which vary from locale to locale.

This is a limited Warranty within the meaning of that term as defined in the Magnuson-Moss Act of 1975.



REPAIR PARTS MANUAL

MODEL NO. **PO500N21R**

MFG. ID. NO. **96132003003**

Rotary Lawn Mower

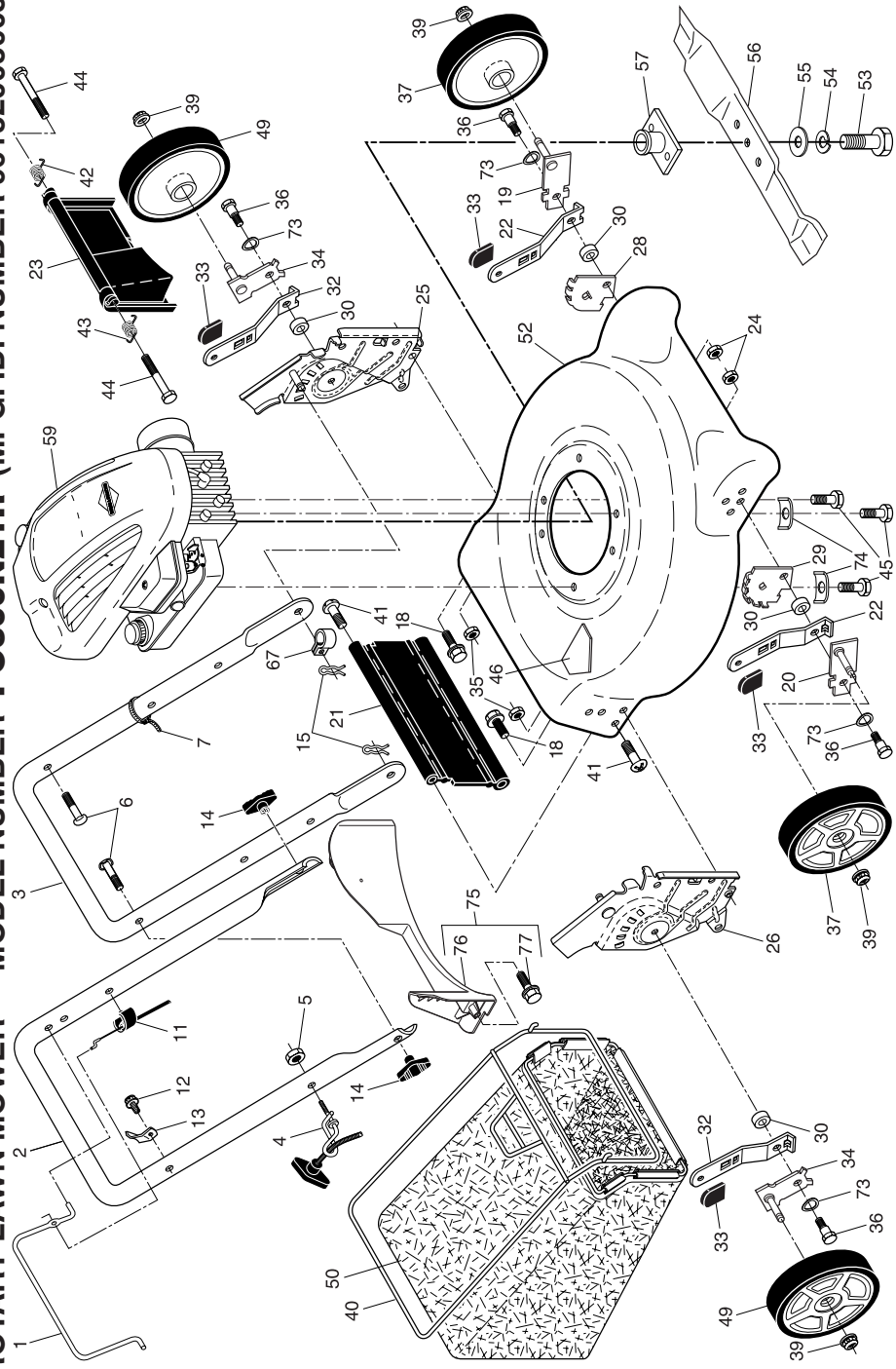
For Parts and Service, contact our authorized distributor: call 1-800-849-1297

For Technical Assistance: call 1-800-829-5886

Poulan

Poulan

ROTARY LAWN MOWER -- MODEL NUMBER PO500N21R (MFG. ID. NUMBER 96132003003)



2

ROTARY LAWN MOWER -- MODEL NUMBER PO500N21R (MFG. ID. NUMBER 96132003003)

KEY PART NO.	DESCRIPTION	KEY PART NO.	DESCRIPTION
1	194177X428 Control Bar	37	193931X427 Wheel & Tire Assembly, Front 7 x 1-3/4
2	194179X479 Upper Handle	39	409148 Flanged Locknut, Hex
3	169708X479 Lower Handle	40	411949 Frame, Grassbag
4	194788 Rope Guide	41	88652 Hinge Screw
5	132004 Nut, Hex	42	405421 Spring, Rear Door, LH
6	191574 Handle Bolt	43	405423 Spring, Rear Door, RH
7	66426 Wire Tie	44	184193 Bolt, Rear Door
11	176556 Cable, Engine Zone Control	45	150406 Hex Head Thread Rolling Screw 3/8-16 x 1
12	750634 Hex Washer Head Screw	46	404763 Danger Decal
13	86899X004 Up-Stop Bracket	49	193905X427 Wheel & Tire Assembly, Rear 8 x 1-3/4
14	189713X428 Knob, Handle	50	402263 Grassbag
15	51793 Hairpin Cotter	52	413902 Kit, Mower Housing (Includes Key Number 46)
18	17600406 Screw	53	851084 Hex Head Screw 3/8-24 x 1-3/8 Grade 8
19	401174X004 Axle Arm Assembly, Front, LH	54	850263 Helical Lockwasher
20	401175X004 Axle Arm Assembly, Front, RH	55	851074 Hardened Washer
21	418655 Kit, Rear Skirt	56	406712 21" Blade
22	401621X004 Selector Spring, Front	57	193825 Blade Adapter
23	401814X428 Rear Door Assembly	59	--- Engine, Briggs & Stratton, Model Number 10T502 (For engine service and replacement parts, call Briggs & Stratton at 1-800-233-3723)
24	166785 Nut, Hex 5/16-18		
25	410387X479 Handle Bracket Assembly, LH	67	197991 Clip, Cable
26	410388X479 Handle Bracket Assembly, RH	73	401630 Washer, Curved, Cylindrical
28	407499X005 Wheel Adjusting Bracket, Front, LH	74	851201X004 Washer, Special, Engine
29	407500X005 Wheel Adjusting Bracket, Front, RH	75	413693 Kit, Rear Baffle (Includes 3 Screws)
30	401629 Spacer	76	410589 Baffle, Rear
32	401623X004 Selector Spring, Rear	77	17411312 Screw, Rear Baffle
33	87877 Selector Knob	--	404764 Warning Decal (not shown)
34	401173X004 Axle Arm Assembly, Rear, LH	--	193732 Operator's Manual, English
35	73930500 Locknut, Hex 5/16-18	--	193734 Operator's Manual, French
36	401638 Shoulder Bolt 5/16-18	--	418704 Repair Parts Manual, English

IMPORTANT: Use only Original Equipment Manufacturer (O.E.M.) replacement parts. Failure to do so could be hazardous, damage your lawn mower and void your warranty.

NOTE: All component dimensions given in U.S. inches. 1 inch = 25.4 mm.

3