

**REPAIR PARTS MANUAL**  
**MODEL NO. PR600Y22SHP**  
**MFG. ID. NO. 96122001400**  
**Rotary Lawn Mower**

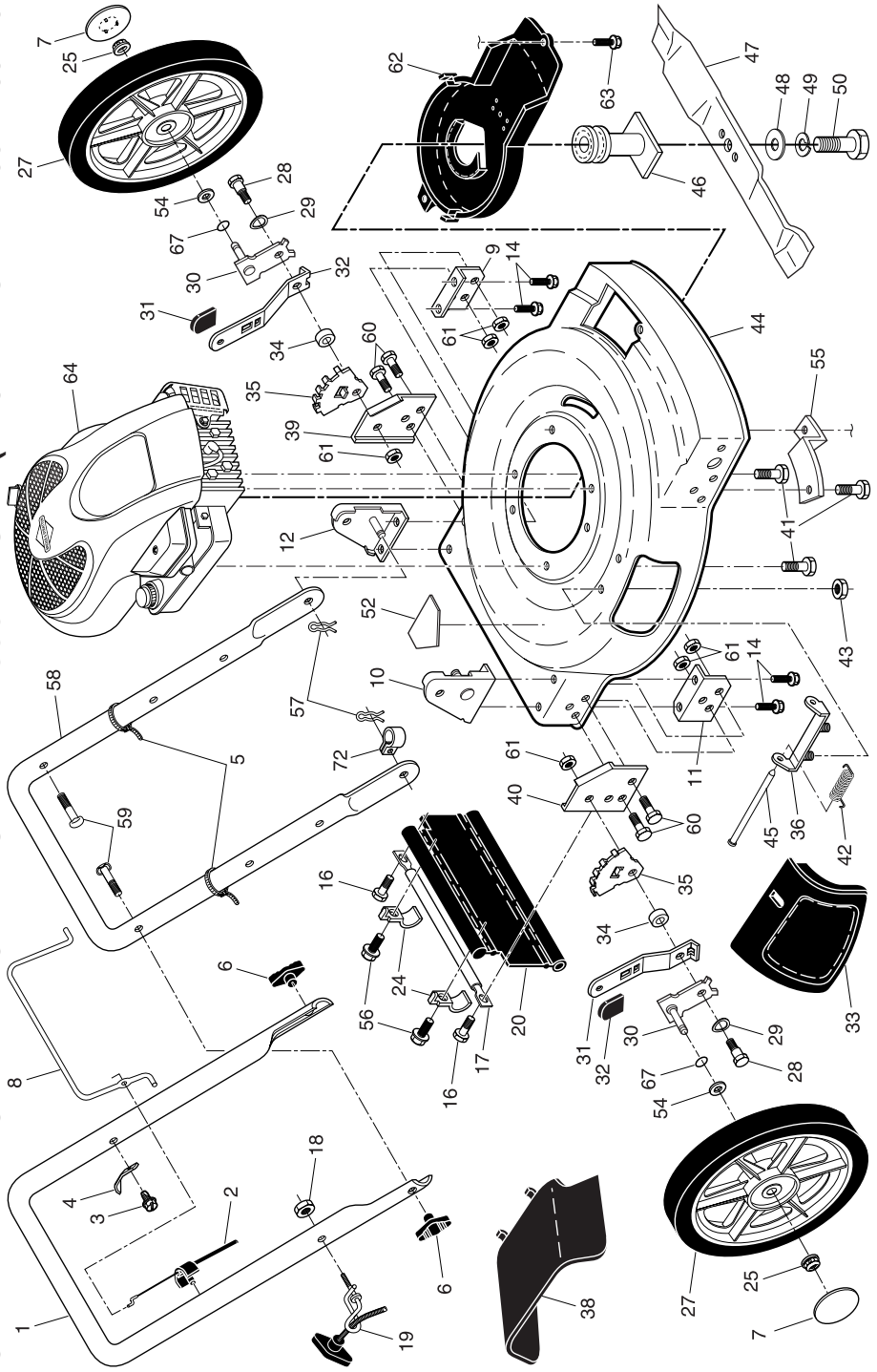
For Parts and Service, contact our authorized distributor: call 1-800-849-1297  
For Technical Assistance: call 1-800-829-5886

**Poulan PRO**

**Poulan PRO**

412209 01.12.07 BY

Printed in U.S.A.



## LIMITED WARRANTY

The Manufacturer warrants to the original consumer purchaser that this product as manufactured is free from defects in materials and workmanship. For a period of two (2) years from date of purchase by the original consumer purchaser, we will repair or replace, at our option, without charge for parts or labor incurred in replacing parts, any part which we find to be defective due to materials or workmanship. This Warranty is subject to the following limitations and exclusions.

1. This warranty does not apply to the engine, transaxle/transmission components, battery (except as noted below) or components parts thereof. Please refer to the applicable manufacturer's warranty on these items.
2. Transportation charges for the movement of any power equipment unit or attachment are the responsibility of the purchaser. Transportation charges for any parts submitted for replacement under this warranty must be paid by the purchaser unless such return is requested by the manufacturer.
3. Battery Warranty: On products equipped with a Battery, we will replace, without charge to you, any battery which we find to be defective in manufacture, during the first ninety (90) days of ownership. After ninety (90) days, we will exchange the Battery, charging you 1/12 of the price of a new Battery for each full month from the date of the original sale. Battery must be maintained in accordance with the instructions furnished.
4. The Warranty period for any products used for rental or commercial purposes is limited to 45 days from the date of original purchase.
5. This Warranty applies only to products which have been properly assembled, adjusted, operated, and maintained in accordance with the instructions furnished. This Warranty does not apply to any product which has been subjected to alteration, misuse, abuse, improper assembly or installation, delivery damage, or to normal wear of the product.
6. Exclusions: Excluded from this Warranty are belts, blades, blade adapters, normal wear, normal adjustments, standard hardware and normal maintenance.
7. In the event you have a claim under this Warranty, you must return the product to an authorized service dealer.

Should you have any unanswered questions concerning this Warranty, contact:

Poulan Pro  
Customer Service Department  
1030 Stevens Creek Road  
Augusta, GA 30907 USA

In Canada contact:  
Poulan Pro  
Customer Service Department  
5855 Terry Fox Way  
Mississauga, Ontario L5V 3E4

giving the model number, serial number and date of purchase of your product and the name and address of the authorized dealer from whom it was purchased.

**THIS WARRANTY DOES NOT APPLY TO INCIDENTAL OR CONSEQUENTIAL DAMAGES AND ANY IMPLIED WARRANTIES ARE LIMITED TO THE SAME TIME PERIODS STATED HEREIN FOR OUR EXPRESSED WARRANTIES.**

Some areas do not allow the limitation of consequential damages or limitations of how long an implied Warranty may last, so the above limitations or exclusions may not apply to you. This Warranty gives you specific legal rights, and you may have other rights which vary from locale to locale.

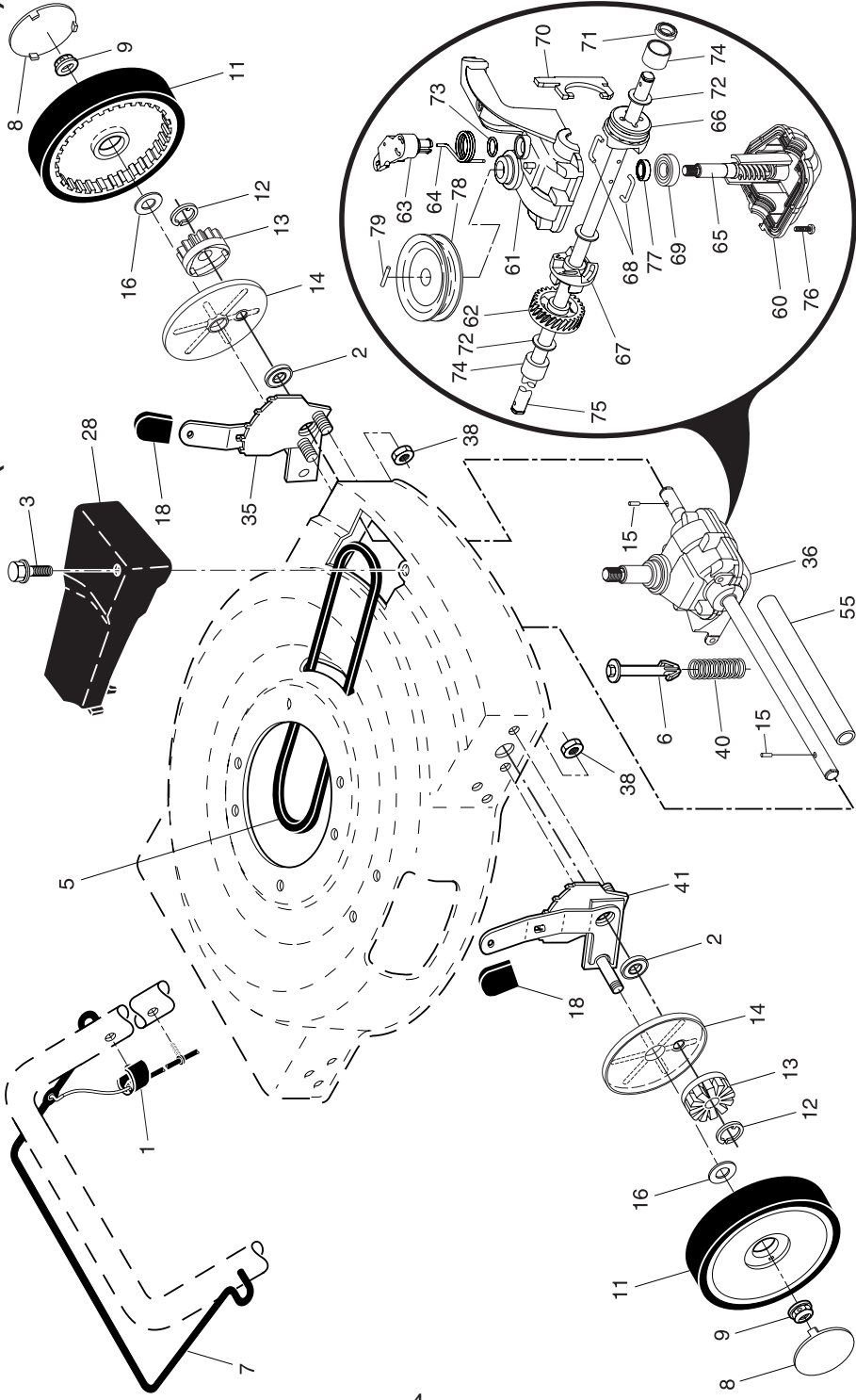
This is a limited Warranty within the meaning of that term as defined in the Magnuson-Moss Act of 1975.

## ROTARY LAWN MOWER -- MODEL NUMBER PR600Y22SHP (MFG. ID. NUMBER 96122001400)

KEY NO.	PART NO.	DESCRIPTION	KEY NO.	PART NO.	DESCRIPTION	KEY NO.	PART NO.	DESCRIPTION
1	194203X479	Upper Handle	30	401180X004	Axle Arm Assembly	57	51793	Hairpin Cotter
2	183567	Engine Zone Control Cable	31	701037X421	Knob, Selector	58	151590X479	Lower Handle
3	750634	Screw	32	401621X004	Spring, Selector	59	191574	Handle Bolt
4	850733X004	Bracket, Upstop	33	151889	Mulcher Door	60	74760612	Bolt
5	66426	Wire Tie	34	401629	Spacer	61	751592	Locknut, Hex
6	189713X428	Handle Knob	35	407501X005	Bracket, Wheel Adjuster	62	405843	Debris Shield
7	407794X421	Hubcap	36	154132	Bracket, Housing	63	192325	Screw
8	194199X421	Control Bar	38	176509	Deflector, Discharge	64	---	Engine, Briggs & Stratton, Model Number 122T02
9	153282X479	Support Bracket, Handle, LH	39	193248X479	Support Bracket, LH			(For engine service and replacement parts, call Briggs & Stratton at 1-800-233-3723)
10	170345X479	Handle Bracket, RH	40	193247X479	Support Bracket, RH	67	197480	O-Ring
11	153350X479	Support Bracket, Handle, RH	41	150406	Screw, Hex Head, Threaded, Rolled 3/8-16 x 1-1/8	72	197991	Clip, Cable
12	170346X479	Handle Bracket, LH	42	152124	Spring, Torsion	--	404764	Warning Decal (not shown)
14	149741	Screw, Thread Cutting 5/16-18 x 3/4	43	738004000	Locknut, Hex	--	193733	Operator's Manual, English
		Screw	44	412210	Kit, Lawn Mower Housing (Includes Key Number 46)	--	193736	Operator's Manual, French
16	54583	Support Rod	45	147286	Rod, Hinge	--	412209	Repair Parts Manual
17	165175X479	Locknut, Keps	46	189179	Blade Adapter / Pulley			
18	132004	Rope Guide	47	406713	Blade, 22"			
19	194788	Rear Skirt	48	851074	Washer, Hardened			
20	189008	Clamp, Rear Skirt	49	850263	Washer, Lock, Helical			
24	192301X004	Locknut, Hex 3/18-16	50	851084	Screw, Hex Head, Grade 8 3/8-24 x 1-3/8			
25	145212	Wheel & Tire Assembly			Decal, Danger			
27	408852X421	Shoulder Bolt						
28	142748	Washer, Curved, Cylindrical						
29	401630							

**NOTE:** All component dimensions given in U.S. inches. 1 inch = 25.4 mm. **IMPORTANT:** Use only Original Equipment Manufacturer (O.E.M.) replacement parts. Failure to do so could be hazardous, damage your lawn mower and void your warranty.

**ROTARY LAWN MOWER -- MODEL NUMBER PR600Y22SHP (MFG. ID. NUMBER 96122001400)**



4

**ROTARY LAWN MOWER -- MODEL NUMBER PR600Y22SHP (MFG. ID. NUMBER 96122001400)**

KEY NO.	PART NO.	DESCRIPTION	KEY NO.	PART NO.	DESCRIPTION
1	194653	Drive Control Cable Assembly	55	86012	Driveshaft Cover
2	191039	Bearing, Wheel Adjuster	60	183497	* Case, Lower
3	143603	Pan Head Tapping Screw #10-24 x 2-3/4	61	183498	* Case, Upper
5	146527	V-Belt	62	183499	Gear, 27 Teeth
6	150495	Spring Retainer	63	183500	Lever, Clutch
7	194185X421	Control Bar, Drive	64	183501	Spring, Return
8	407793X421	Hubcap	65	183502	Shaft, Input
9	83923	Locknut, Hex	66	183503	Dog, Movable
11	180775	Wheel & Tire Assembly	67	183504	Dog, Fixed
12	12000058	E-Ring	68	183505	Wire, Formed
13	403849	Pinion	69	183506	Bearing, Ball
14	189403	Dust Cover	70	183507	Fork, Shift
15	191017	Pawl, Drive	71	183508	Seal, Output Shaft
16	67725	Washer	72	183509	Washer
18	701037X421	Selector Knob	73	183510	Seal, Case
28	194398X428	Drive Cover	74	183511	Bushing
35	408802	Kit, Wheel Adjuster, LH (Includes Knob and Bearing)	75	196561	Shaft, Output
36	199206	Gear Case Assembly, Complete	76	183513	Screw
38	73800400	Locknut, Hex 1/4-20	77	183514	Seal, Input Shaft
40	137090	Spring	78	199852	Drive Pulley
41	408803	Kit, Wheel Adjuster, RH (Includes Knob and Bearing)	79	199419	Pin, Retainer

\* Use Dow Corning #709 to reseat.

5

**NOTE:** All component dimensions given in U.S. inches. 1 inch = 25.4 mm. **IMPORTANT:** Use only Original Equipment Manufacturer (O.E.M.) replacement parts. Failure to do so could be hazardous, damage your lawn mower and void your warranty.