

REPAIR PARTS MANUAL
MODEL NO. PEM65Y21RP
MFG. ID. NO. 96141009000
Rotary Lawn Mower

Poulan PRO

Poulan PRO

ROTARY LAWN MOWER - MODEL NO. **PEM65Y21RP** (96141009000) PRODUCT NO. 96 141 00-90

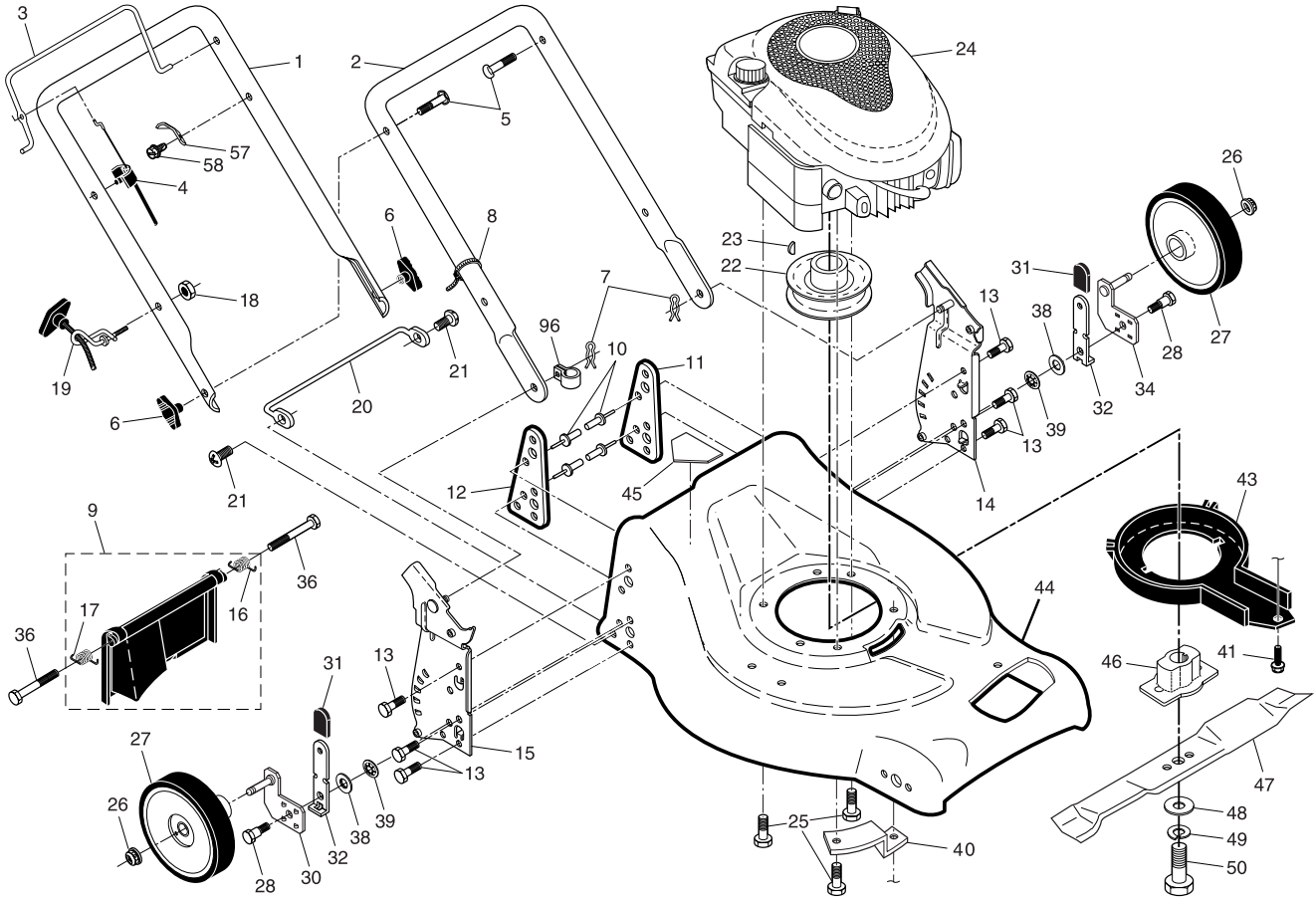
KEY NO.	PART NO.	DESCRIPTION	KEY NO.	PART NO.	DESCRIPTION
1	532 19 84-59	Upper Handle	27	532 19 79-85	Wheel & Tire Assembly
2	532 15 36-05	Lower Handle	28	532 18 93-12	Shoulder Bolt 5/16-18 x .33
3	532 19 84-64	Control Bar	30	532 19 54-35	Axle Arm Assembly, Rear, RH
4	532 18 35-67	Engine Zone Control Cable	31	532 08 78-77	Selector Knob
5	532 19 15-74	Handle Bolt	32	532 19 01-57	Selector Spring
6	532 19 19-38	Handle Knob	34	532 19 54-36	Axle Arm Assembly, Rear, LH
7	532 05 17-93	Hairpin Cotter	36	532 18 41-93	Bolt, Hex Head
8	532 06 64-26	Wire Tie	38	532 17 61-85	Washer
9	532 18 04-79	Rear Door Kit (Includes Key Numbers 16 and 17)	39	532 17 62-35	Pushnut
10	532 12 84-15	Pop Rivet	40	532 19 09-39	Mounting Bracket, Debris Shield
11	532 18 25-38	Support Bracket, LH	41	532 19 23-25	Screw
12	532 18 25-39	Support Bracket, RH	43	532 18 87-84	Debris Shield
13	817 06 04-10	Screw 1/4-20 x 5/8	44	532 40 07-49	Kit, Lawn Mower Housing (Includes Key Numbers 10, 11, 12 and 45)
14	532 19 01-54	Handle Bracket Assembly, LH	45	532 18 21-66	Danger Decal
15	532 19 01-53	Handle Bracket Assembly, RH	46	532 18 46-32	Blade Adapter
16	532 18 00-71	Spring, Rear Door, LH	47	532 19 93-77	Blade, 21"
17	532 18 00-72	Spring, Rear Door, RH	48	532 85 10-74	Hardened Washer
18	532 13 20-04	Keps Locknut 1/4-20	49	532 85 02-63	Helical Washer 3/8-24 x 1-3/8 Grade 8
19	532 19 47-88	Rope Guide	50	532 85 10-84	Hex Head Machine Screw 3/8-24 x 1-3/8 Grade 8
20	532 17 92-05	Foot Guard, C.E.	57	532 12 51-62	Bracket, Upstop
21	532 05 45-83	Screw, Tapping 1/4-20 x 1/2	58	532 75 06-34	Screw, Threaded 10-24 x 1/2
22	532 18 49-41	Engine Pulley	96	532 19 79-91	Clip, Cable
23	532 18 77-23	Hi-Pro Key	--	532 18 21-34	Decal, Warning (not shown)
24	---	Engine, Briggs & Stratton, Model Number 124K02 (order parts from engine manufacturer)	--	532 40 32-47	Operator's Manual, European
25	532 15 04-06	Hex Head Thread Rolling Screw 3/8-16 x 1-1/8	--	532 40 32-48	Operator's Manual, Scandinavian
26	532 08 39-23	Hex Flange Nut	--	532 40 32-49	Repair Parts Manual, English

NOTE: All component dimensions given in U.S. inches. 1 inch = 25.4 mm.

IMPORTANT: Use only Original Equipment Manufacturer (O.E.M.) replacement parts. Failure to do so could be hazardous, damage your lawn mower and void your warranty.

ROTARY LAWN MOWER - MODEL NO. PEM65Y21RP (96141009000) PRODUCT NO. 96 141 00-90

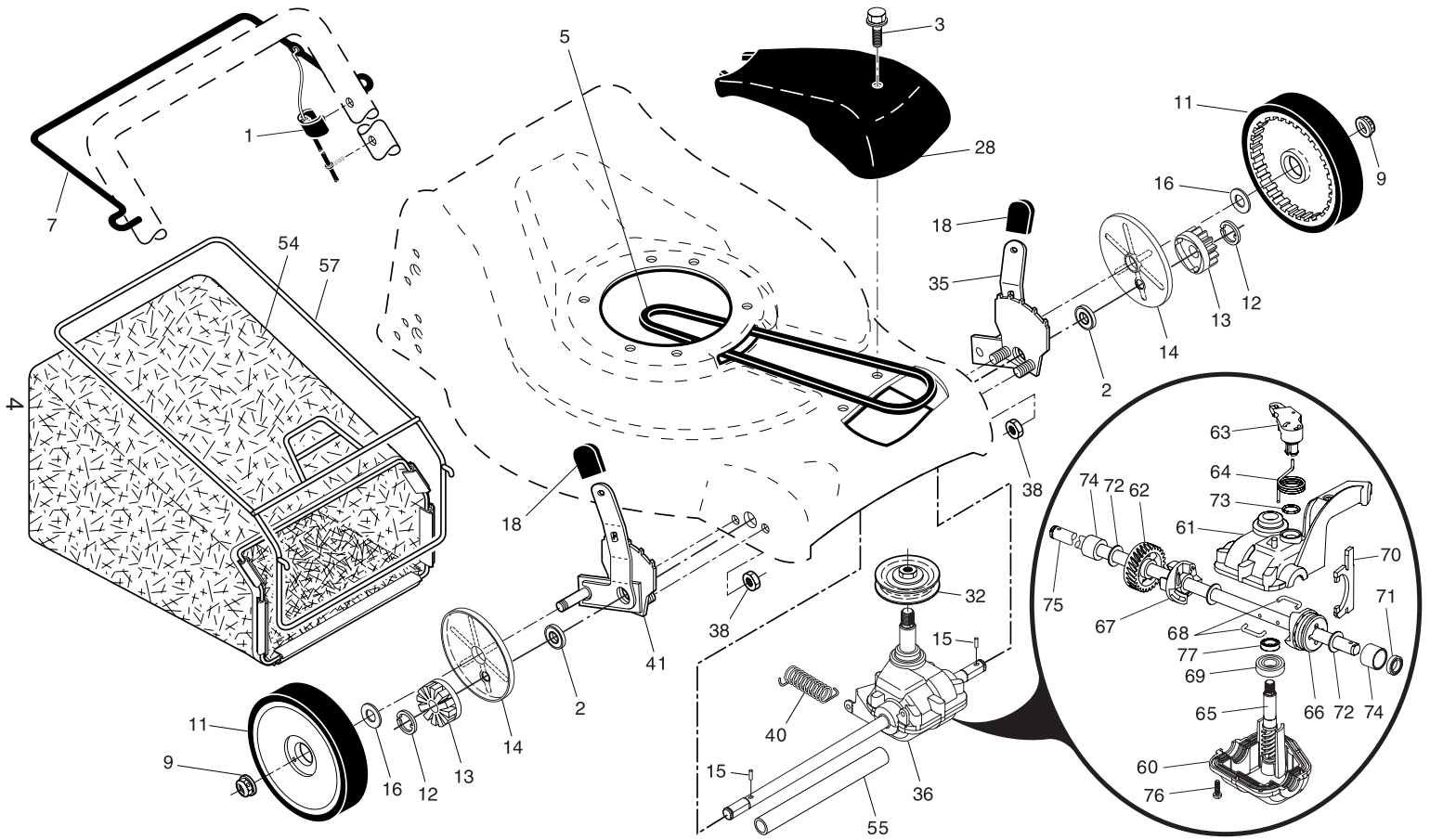
2



7

SERVICE NOTES

ROTARY LAWN MOWER - MODEL NO. PEM65Y21RP (9614100900) PRODUCT NO. 96 141 00-90



ROTARY LAWN MOWER - MODEL NO. PEM65Y21RP (9614100900) PRODUCT NO. 96 141 00-90

KEY NO.	PART NO.	DESCRIPTION	KEY NO.	PART NO.	DESCRIPTION
1	532 19 46-53	Control Cable Assembly	54	532 40 24-60	Grassbag Assembly
2	532 19 10-39	Bearing, Wheel Adjuster	55	532 17 57-39	Driveshaft Cover
3	532 17 52-62	Pan Head Tapping Screw #10-24 x 2-3/4	57	532 19 46-43	Frame, Grassbag
5	532 17 54-36	V-Belt	60	532 18 34-97	* Case, Lower
6	532 15 04-95	Spring Retainer	61	532 18 34-98	* Case, Upper
7	532 19 84-53	Control Bar, Drive	62	532 18 34-99	Gear, 27 Teeth
9	532 08 39-23	Locknut, Hex	63	532 18 35-00	Lever, Clutch
11	532 19 79-86	Wheel & Tire Assembly	64	532 18 35-01	Spring, Return
12	812 00 00-58	E-Ring	65	532 18 35-02	Shaft, Input
13	532 75 00-03	Pinion	66	532 18 35-03	Dog, Movable
14	532 18 94-03	Dust Cover	67	532 18 35-04	Dog, Fixed
15	532 19 10-17	Pawl, Drive	68	532 18 35-05	Wire, Formed
16	532 06 77-25	Washer 1/2 x 1-1/2 x .134	69	532 18 35-06	Bearing, Ball
18	532 08 78-77	Selector Knob	70	532 18 35-07	Fork, Shift
28	532 40 34-32	Drive Cover	71	532 18 35-08	Seal, Output Shaft
32	532 19 41-26	Drive Pulley	72	532 18 35-09	Washer
35	532 19 51-10	Kit, Wheel Adjuster, LH (Includes Knob and Bearing)	73	532 18 35-10	Seal, Case
36	532 19 49-35	Gearcase Assembly, Complete	74	532 18 35-11	Bushing
38	873 80 04-00	Locknut, Hex 1/4-20	75	532 19 66-13	Shaft, Output
40	532 13 70-90	Spring	76	532 18 35-13	Screw
41	532 19 51-07	Kit, Wheel Adjuster, RH (Includes Knob and Bearing)	77	532 18 35-14	Seal, Input Shaft

* Use Dow Corning #709 to reseal Gear Case Halves.

NOTE: All component dimensions given in U.S. inches. 1 inch = 25.4 mm.

IMPORTANT: Use only Original Equipment Manufacturer (O.E.M.) replacement parts. Failure to do so could be hazardous, damage your lawn mower and void your warranty.