

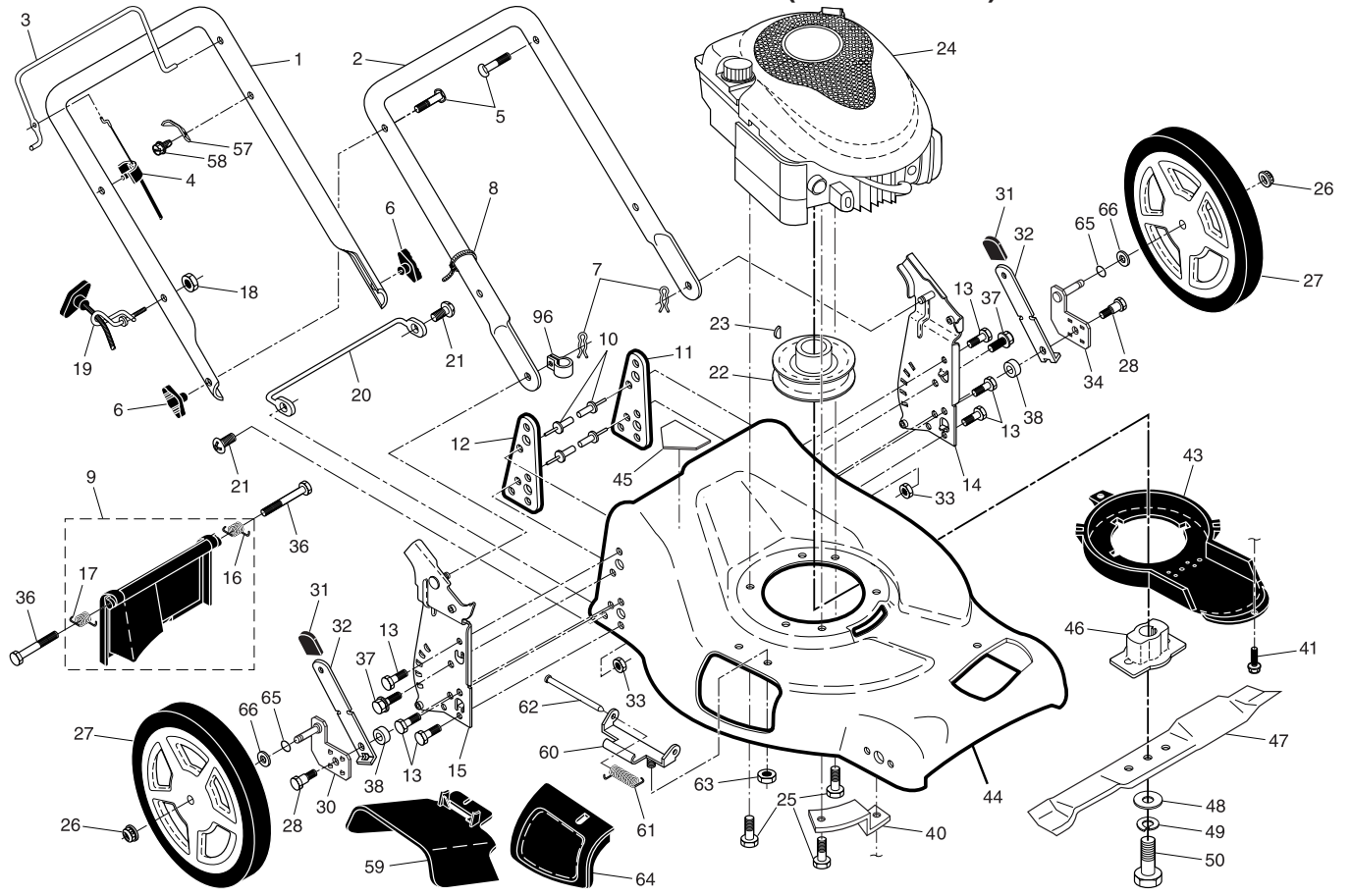
REPAIR PARTS MANUAL
MODEL NO. PEM65Y21RHP
MFG. ID. NO. 96141009100
Rotary Lawn Mower

Poulan PRO

Poulan PRO

ROTARY LAWN MOWER - MODEL NO. PEM65Y21RHP (96141009100) PRODUCT NO. 96 141 00-91

2



7

SERVICE NOTES

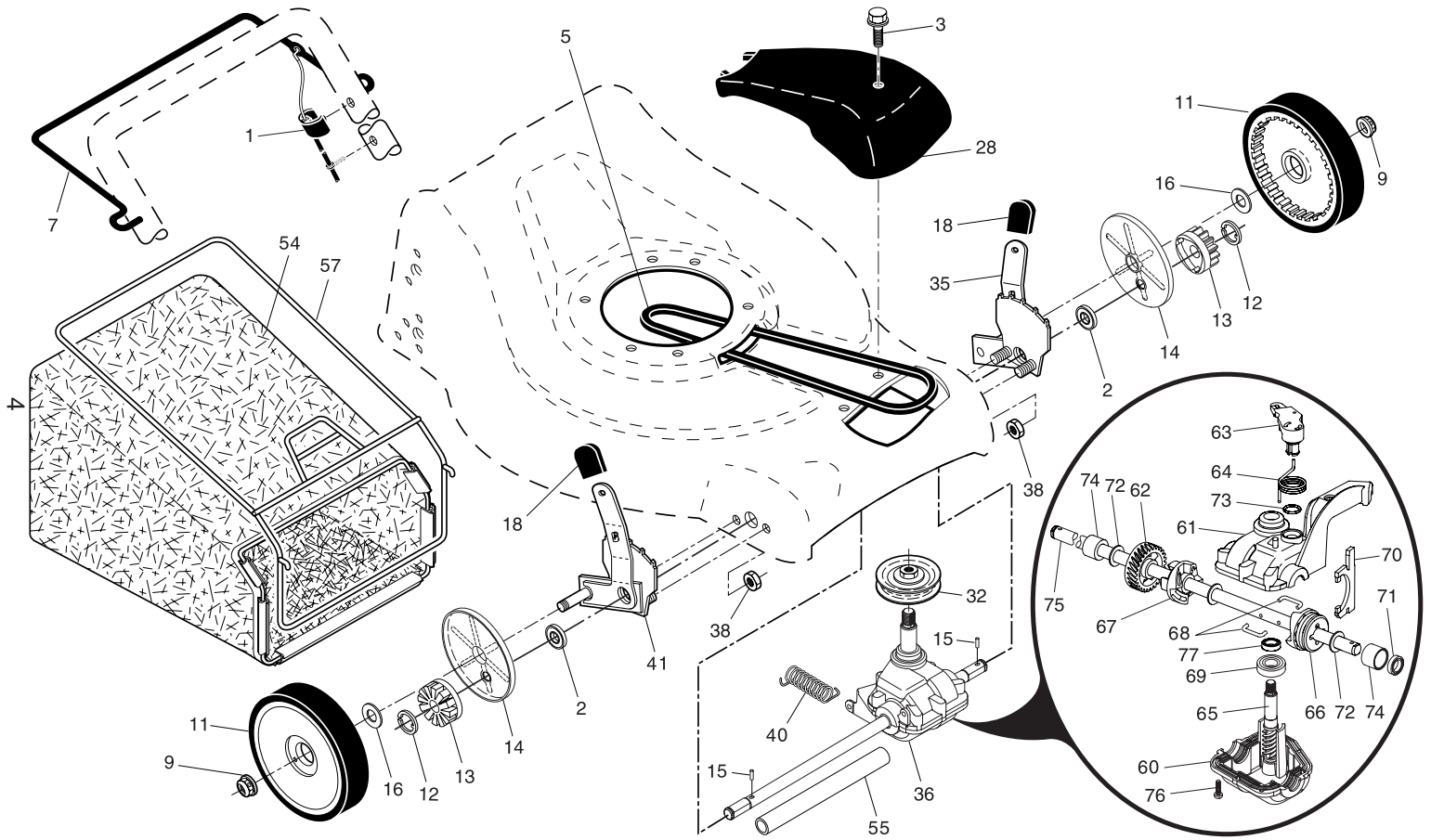
ROTARY LAWN MOWER - MODEL NO. PEM65Y21RHP (96141009100) PRODUCT NO. 96 141 00-91

KEY NO.	PART NO.	DESCRIPTION	KEY NO.	PART NO.	DESCRIPTION
1	532 19 84-59	Upper Handle	32	532 19 01-57	Selector Spring
2	532 15 36-05	Lower Handle	33	873 80 05-00	Nut, Hex 5/16-18
3	532 19 84-64	Control Bar	34	532 40 25-72	Axle Arm Assembly, Rear, LH
4	532 18 35-67	Engine Zone Control Cable	36	532 18 41-93	Bolt, Hex Head
5	532 19 15-74	Handle Bolt	37	532 15 00-78	Screw 5/16-18 x 3/4
6	532 19 19-38	Handle Knob	38	819 11 22-06	Spacer
7	532 05 17-93	Hairpin Cotter	40	532 19 09-39	Mounting Bracket, Debris Shield
8	532 06 64-26	Wire Tie	41	532 19 23-25	Screw
9	532 18 04-79	Rear Door Kit (Includes Key Numbers 16 and 17)	43	532 18 87-84	Debris Shield
10	532 12 84-15	Pop Rivet	44	532 40 07-33	Kit, Housing (Includes Key No.s 10, 11, 12 and 45)
11	532 18 25-38	Support Bracket, LH	45	532 18 21-66	Danger Decal
12	532 18 25-39	Support Bracket, RH	46	532 18 46-32	Blade Adapter
13	817 06 04-10	Screw 1/4-20 x 5/8	47	532 19 93-77	Blade, 21"
14	532 18 25-43	Handle Bracket Assembly, LH	48	532 85 10-74	Hardened Washer
15	532 18 25-45	Handle Bracket Assembly, RH	49	532 85 02-63	Helical Washer 3/8-24 x 1-3/8 Grade 8
16	532 18 00-71	Spring, Rear Door, LH	50	532 85 10-84	Hex Head Machine Screw 3/8-24 x 1-3/8 Grade 8
17	532 18 00-72	Spring, Rear Door, RH	57	532 12 51-62	Bracket, Upstop
18	532 13 20-04	Keps Locknut 1/4-20	58	532 75 06-34	Screw, Threaded 10-24 x 1/2
19	532 19 47-88	Rope Guide	59	532 17 50-71	Discharge Deflector
20	532 17 92-05	Foot Guard, C.E.	60	532 17 57-35	Hinge Bracket
21	532 05 45-83	Screw, Tapping 1/4-20 x 1/2	61	532 19 30-00	Spring, Torsion
22	532 18 49-41	Engine Pulley	62	532 17 56-50	Hinge Rod
23	532 18 77-23	Hi-Pro Key	63	873 80 04-00	Nut, Hex
24	---	Engine, Briggs & Stratton, Model Number 124K02 (order parts from engine manufacturer)	64	532 17 50-66	Mulcher Door
25	532 15 04-06	Hex Head Thread Rolling Screw 3/8-16 x 1-1/8	65	532 19 74-80	O-Ring
26	532 14 52-12	Hex Flange Nut	66	532 08 83-48	Washer, Flat
27	532 40 31-67	Wheel & Tire Assembly	96	532 19 79-91	Clip, Cable
28	532 16 08-28	Shoulder Bolt 5/16-18 x .33	--	532 18 21-91	Decal, Warning (not shown)
30	532 40 25-71	Axle Arm Assembly, Rear, RH	--	532 40 32-54	Operator's Manual, European
31	532 08 78-77	Selector Knob	--	532 40 32-55	Operator's Manual, Scandinavian
			--	532 40 32-57	Repair Parts Manual, English

NOTE: All component dimensions given in U.S. inches. 1 inch = 25.4 mm.

IMPORTANT: Use only Original Equipment Manufacturer (O.E.M.) replacement parts. Failure to do so could be hazardous, damage your lawn mower and void your warranty.

ROTARY LAWN MOWER - MODEL NO. PEM65Y21RHP (96141009100) PRODUCT NO. 96 141 00-91



ROTARY LAWN MOWER - MODEL NO. PEM65Y21RHP (96141009100) PRODUCT NO. 96 141 00-91

KEY NO.	PART NO.	DESCRIPTION	KEY NO.	PART NO.	DESCRIPTION
1	532 19 46-53	Control Cable Assembly	54	532 40 24-60	Grassbag Assembly
2	532 19 10-39	Bearing, Wheel Adjuster	55	532 17 57-39	Driveshaft Cover
3	532 17 52-62	Pan Head Tapping Screw #10-24 x 2-3/4	57	532 19 46-43	Frame, Grassbag
5	532 17 54-36	V-Belt	60	532 18 34-97	* Case, Lower
6	532 15 04-95	Spring Retainer	61	532 18 34-98	* Case, Upper
7	532 19 84-53	Control Bar, Drive	62	532 18 34-99	Gear, 27 Teeth
9	532 08 39-23	Locknut, Hex	63	532 18 35-00	Lever, Clutch
11	532 19 79-86	Wheel & Tire Assembly	64	532 18 35-01	Spring, Return
12	812 00 00-58	E-Ring	65	532 18 35-02	Shaft, Input
13	532 75 00-03	Pinion	66	532 18 35-03	Dog, Movable
14	532 18 94-03	Dust Cover	67	532 18 35-04	Dog, Fixed
15	532 19 10-17	Pawl, Drive	68	532 18 35-05	Wire, Formed
16	532 06 77-25	Washer 1/2 x 1-1/2 x .134	69	532 18 35-06	Bearing, Ball
18	532 08 78-77	Selector Knob	70	532 18 35-07	Fork, Shift
28	532 40 34-32	Drive Cover	71	532 18 35-08	Seal, Output Shaft
32	532 19 41-26	Drive Pulley	72	532 18 35-09	Washer
35	532 19 51-10	Kit, Wheel Adjuster, LH (Includes Knob and Bearing)	73	532 18 35-10	Seal, Case
36	532 19 49-35	Gearcase Assembly, Complete	74	532 18 35-11	Bushing
38	873 80 04-00	Locknut, Hex 1/4-20	75	532 19 66-13	Shaft, Output
40	532 13 70-90	Spring	76	532 18 35-13	Screw
41	532 19 51-07	Kit, Wheel Adjuster, RH (Includes Knob and Bearing)	77	532 18 35-14	Seal, Input Shaft

* Use Dow Corning #709 to reseal Gear Case Halves.

NOTE: All component dimensions given in U.S. inches. 1 inch = 25.4 mm.

IMPORTANT: Use only Original Equipment Manufacturer (O.E.M.) replacement parts. Failure to do so could be hazardous, damage your lawn mower and void your warranty.