

### LIMITED WARRANTY

The Manufacturer warrants to the original consumer purchaser that this product as manufactured is free from defects in materials and workmanship. For a period of two (2) years from date of purchase by the original consumer purchaser, we will repair or replace, at our option, without charge for parts or labor incurred in replacing parts, any part which we find to be defective due to materials or workmanship. This Warranty is subject to the following limitations and exclusions.

1. This warranty does not apply to the engine, transaxle/transmission components, battery (except as noted below) or components parts thereof. Please refer to the applicable manufacturer's warranty on these items.
2. Transportation charges for the movement of any power equipment unit or attachment are the responsibility of the purchaser. Transportation charges for any parts submitted for replacement under this warranty must be paid by the purchaser unless such return is requested by the manufacturer.
3. Battery Warranty: On products equipped with a Battery, we will replace, without charge to you, any battery which we find to be defective in manufacture, during the first ninety (90) days of ownership. After ninety (90) days, we will exchange the Battery, charging you 1/12 of the price of a new Battery for each full month from the date of the original sale. Battery must be maintained in accordance with the instructions furnished.
4. The Warranty period for any products used for rental or commercial purposes is limited to 45 days from the date of original purchase.
5. This Warranty applies only to products which have been properly assembled, adjusted, operated, and maintained in accordance with the instructions furnished. This Warranty does not apply to any product which has been subjected to alteration, misuse, abuse, improper assembly or installation, delivery damage, or to normal wear of the product.
6. Exclusions: Excluded from this Warranty are belts, blades, blade adapters, normal wear, normal adjustments, standard hardware and normal maintenance.
7. In the event you have a claim under this Warranty, you must return the product to an authorized service dealer.

Should you have any unanswered questions concerning this Warranty, contact:

Poulan  
Customer Service Department  
1030 Stevens Creek Road  
Augusta, GA 30907 USA

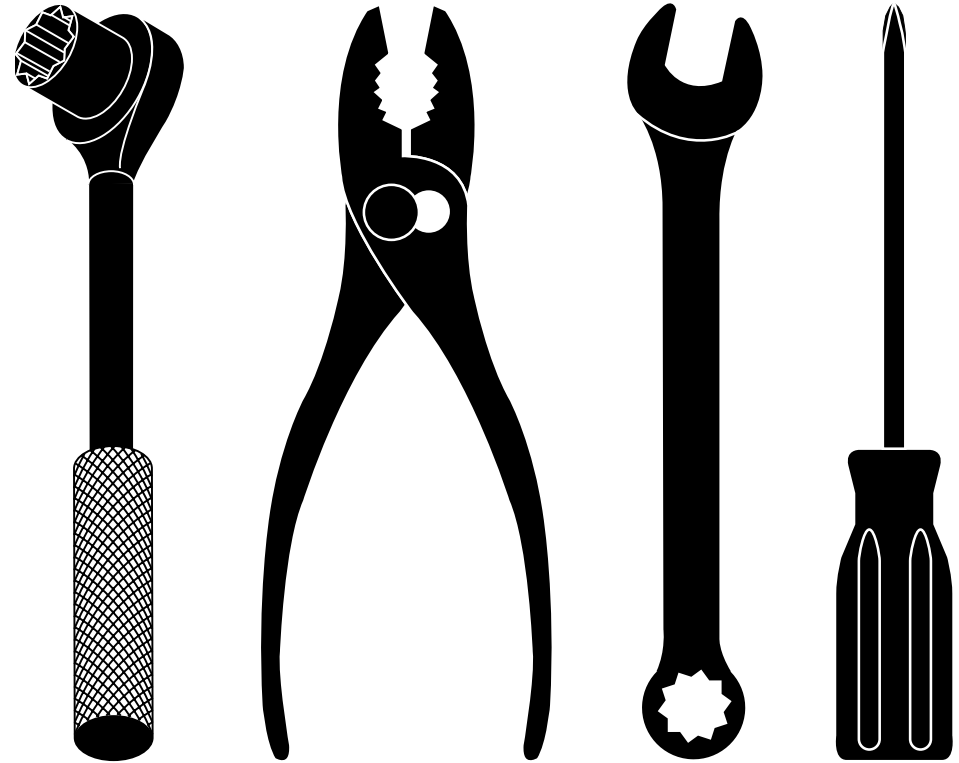
In Canada contact:  
Poulan  
Customer Service Department  
5855 Terry Fox Way  
Mississauga, Ontario L5V 3E4

giving the model number, serial number and date of purchase of your product and the name and address of the authorized dealer from whom it was purchased.

**THIS WARRANTY DOES NOT APPLY TO INCIDENTAL OR CONSEQUENTIAL DAMAGES AND ANY IMPLIED WARRANTIES ARE LIMITED TO THE SAME TIME PERIODS STATED HEREIN FOR OUR EXPRESSED WARRANTIES.**

Some areas do not allow the limitation of consequential damages or limitations of how long an implied Warranty may last, so the above limitations or exclusions may not apply to you. This Warranty gives you specific legal rights, and you may have other rights which vary from locale to locale.

This is a limited Warranty within the meaning of that term as defined in the Magnuson-Moss Act of 1975.



# REPAIR PARTS MANUAL

## MODEL NO. PO550N22SH

## MFG. ID. NO. 96112008000

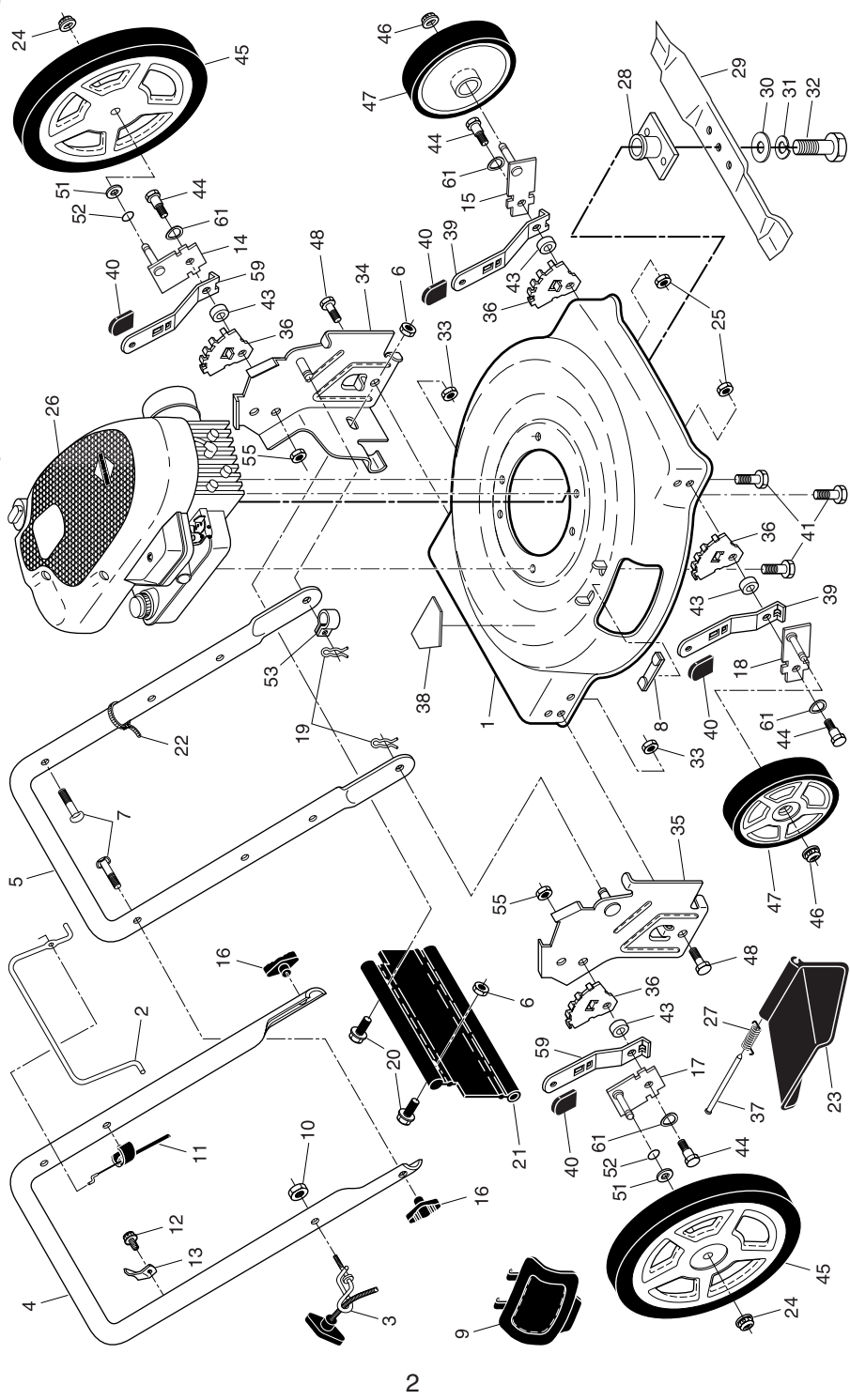
## Rotary Lawn Mower

For Parts and Service, contact our authorized distributor: call 1-800-849-1297  
For Technical Assistance: call 1-800-829-5886

# Poulan

# Poulan

**ROTARY LAWN MOWER -- MODEL NUMBER PO550N22SH (MFG. ID. NUMBER 96112008000)**



**ROTARY LAWN MOWER -- MODEL NUMBER PO550N22SH (MFG. ID. NUMBER 96112008000)**

KEY NO.	PART NO.	DESCRIPTION	KEY NO.	PART NO.	DESCRIPTION
1	165187	Lawn Mower Housing (Includes Key Number 38)	28	193825	Blade Adapter
2	194177X428	Control Bar	29	406713	22" Blade
3	194788	Rope Guide	30	851074	Hardened Washer
4	194179X479	Upper Handle	31	850263	Helical Lockwasher 3/8
5	169708X479	Lower Handle	32	851084	Screw, Hex Head, Grade 8, 3/8-24 x 1-3/8
6	73800400	Locknut, Hex 1/4-20	33	73800500	Nut, Hex, Nylock 5/16-18
7	191574	Handle Bolt 5/16-18	34	193083X479	Wheel Bracket Support, LH
8	161622	Clip, Closeout	35	193082X479	Wheel Bracket Support, RH
9	160830	Mulcher Plate	36	407494X005	Wheel Bracket Adjuster
10	132004	Nut, Hex 1/4-20	37	160833	Hinge Rod
11	183281	Engine Zone Control Cable	38	404763	Danger Decal
12	750634	Hex Washer Head Screw #10-24 x 1/2	39	401621X004	Selector Spring, Front
13	86899X004	Up-Stop Bracket	40	87877	Selector Knob
14	401176X004	Axle Arm Assembly, Rear, LH	41	150406	Screw, Hex Head, Threaded, Rolled 3/8-16 x 1
15	401174X004	Axle Arm Assembly, Front, LH	42	401629	Spacer
16	189713X428	Handle Knob	43	401638	Shoulder Bolt 5/16-18
17	401177X004	Axle Arm Assembly, Rear, RH	44	193926X427	Wheel & Tire Assembly, Rear, 12"
18	401175X004	Axle Arm Assembly, Front, RH	45	409148	Nut, Hex, Flangelock 3/8-16
19	51793	Hairpin Cotter	46	193931X427	Wheel & Tire Assembly, Front, 7"
20	74760412	Screw, Hex Cap Head 1/4-20	47	74760514	Bolt, Hex Head 5/16-18
21	413160	Rear Deflector	48	88348	Washer, Flat 3/8
22	66426	Wire Tie	49	197480	O-Ring
23	160831	Discharge Guard	50	197991	Clip, Cable
24	409149	Nut, Hex, Flangelock 3/8-16	51	751153	Nut, Hex
25	166785	Nut, Hex, Flangelock 5/16-18	52	401624X004	Selector Spring, Rear
26	---	Engine, Briggs & Stratton, Model Number 10T802-1327-1B (For engine service and replacement parts, call Briggs & Stratton at 1-800-233-3723)	53	401630	Washer, Curved, Cylindrical
			54	404764	Warning Decal (not shown)
			55	193732	Operator's Manual, English
			56	193734	Operator's Manual, French
			57	426104	Repair Parts Manual
27	408585	Torsion Spring			

**NOTE:** All component dimensions given in U.S. inches. 1 inch = 25.4 mm. **IMPORTANT:** Use only Original Equipment Manufacturer (O.E.M.) replacement parts. Failure to do so could be hazardous, damage your lawn mower and void your warranty.