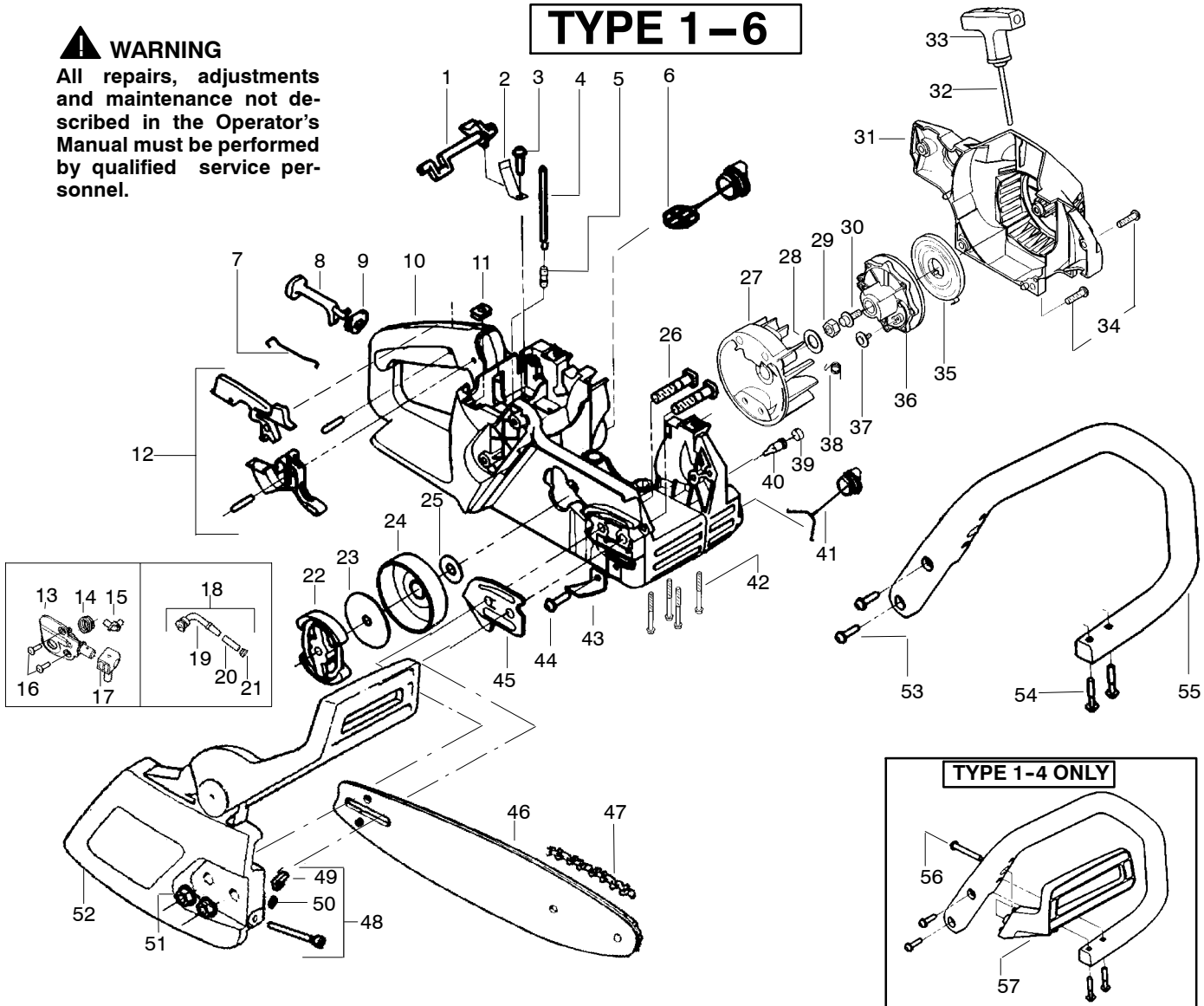


TYPE 1-6

⚠ WARNING
All repairs, adjustments and maintenance not described in the Operator's Manual must be performed by qualified service personnel.



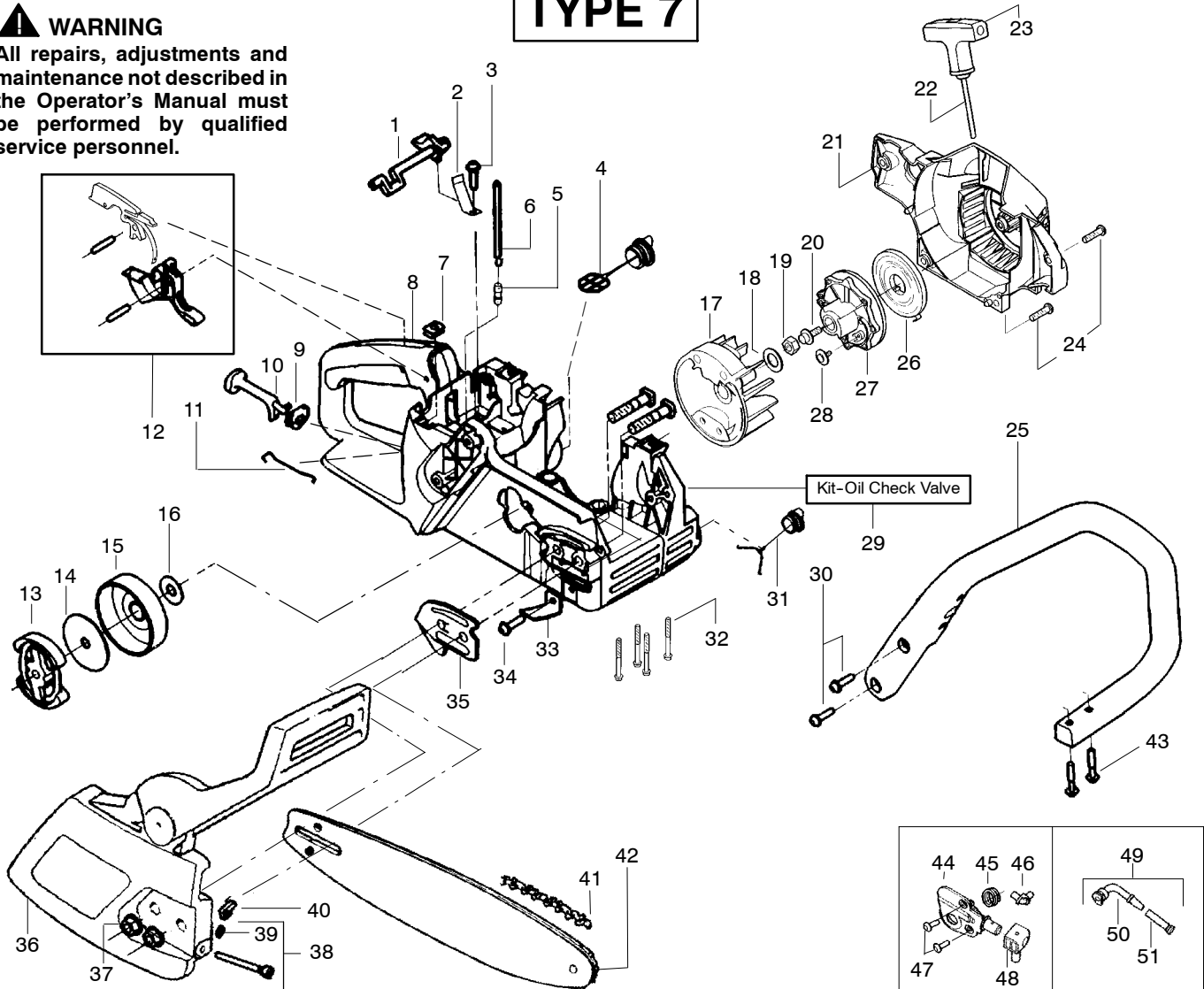
Ref.	Part No.	Description	Ref.	Part No.	Description	Ref.	Part No.	Description
1.	530038227	Lever-Switch (Incl. Pin)	22.	530014949	Assy. - Clutch	45.	530038238	Plate-Bar Mounting
2.	530016149	Spring-Switch	23.	530015611	Washer-Clutch	46.	952044368	Bar-14"
3.	530015775	Screw	24.	530047061	Assy-Drum W/brg.		952044370	Bar-16"
4.	530069216	Kit-Fuel Line (Large)	25.	530015907	Washer - Thrust		952044418	Bar-18"
5.	530023877	Fitting	26.	530016133	Bolt-Bar Mounting	47.	952051209	Chain-14"
6.	530047192	Assy-Fuel Cap	27.	530039209	Assy-Flywheel		952051211	Chain-16"
7.	530037809	Wire-Throttle	28.	530015127	Washer-Flywheel		952051338	Chain-18"
8.	530047989	Lever-Choke	29.	530016134	Nut-Flywheel	48.	530069611	Kit-Bar Adjust (incl.49,50)
9.	530038406	Grommet-Choke Knob	30.	530015920	Screw	49.	530015826	Pin-Bar Adjust
10.	530069822	Assy-Chassis	31.	530049334	Housing-Fan	50.	530038593	Retainer-Bar Adjust
11.	530015922	Nut-Speed	32.	530069232	Kit-Rope	51.	530015917	Nut-Bar Mounting
12.	530071305	Kit-Trigger & Lockout	33.	530037485	Handle-Starter	52.	530054735	Assy-Chain Brake (Type 1,2,3,4,5)
13.	530071259	Kit-Oil Pump (incl 14,15,17)	34.	530015892	Screw	53.	530015814	Screw
14.	530037820	Gear-Worm Spring	35.	530027531	Spring-Starter	54.	530015940	Screw
15.	530049477	Elbow-Oil Pickup	36.	530037817	Pulley-Starter	55.	530056798	Handle-Front
16.	530016064	Screw	37.	530016080	Screw	56.	530016020	Bolt-Handguard (Type 1-4 only)
17.	530019206	Seal Block	38.	530023817	Spring - Starter Dog	57.	530038224	Handguard (Type 1-4 only)
18.	530047663	Assy-Oil-Pickup (Incl. 19, 20 & 21)	39.	530038264	Plug - Bronze Vent			
19.	530038373	Pickup-Oiler	40.	530026119	Valve-Check			
20.	530037821	Filter-Oil	41.	530010846	Assy-Oil Cap			
21.	530030189	Plug-Oil Filter	42.	530016132	Screw			
			43.	530029850	Chain Catcher			
			44.	530015814	Screw			

✓ = NEW PART NUMBER FOR THIS IPL

* = REFER TO THE SERVICE REFERENCE INDICATED FOR MORE INFORMATION. (LOCATED AT END OF IPL)

TYPE 7

⚠ WARNING
All repairs, adjustments and maintenance not described in the Operator's Manual must be performed by qualified service personnel.

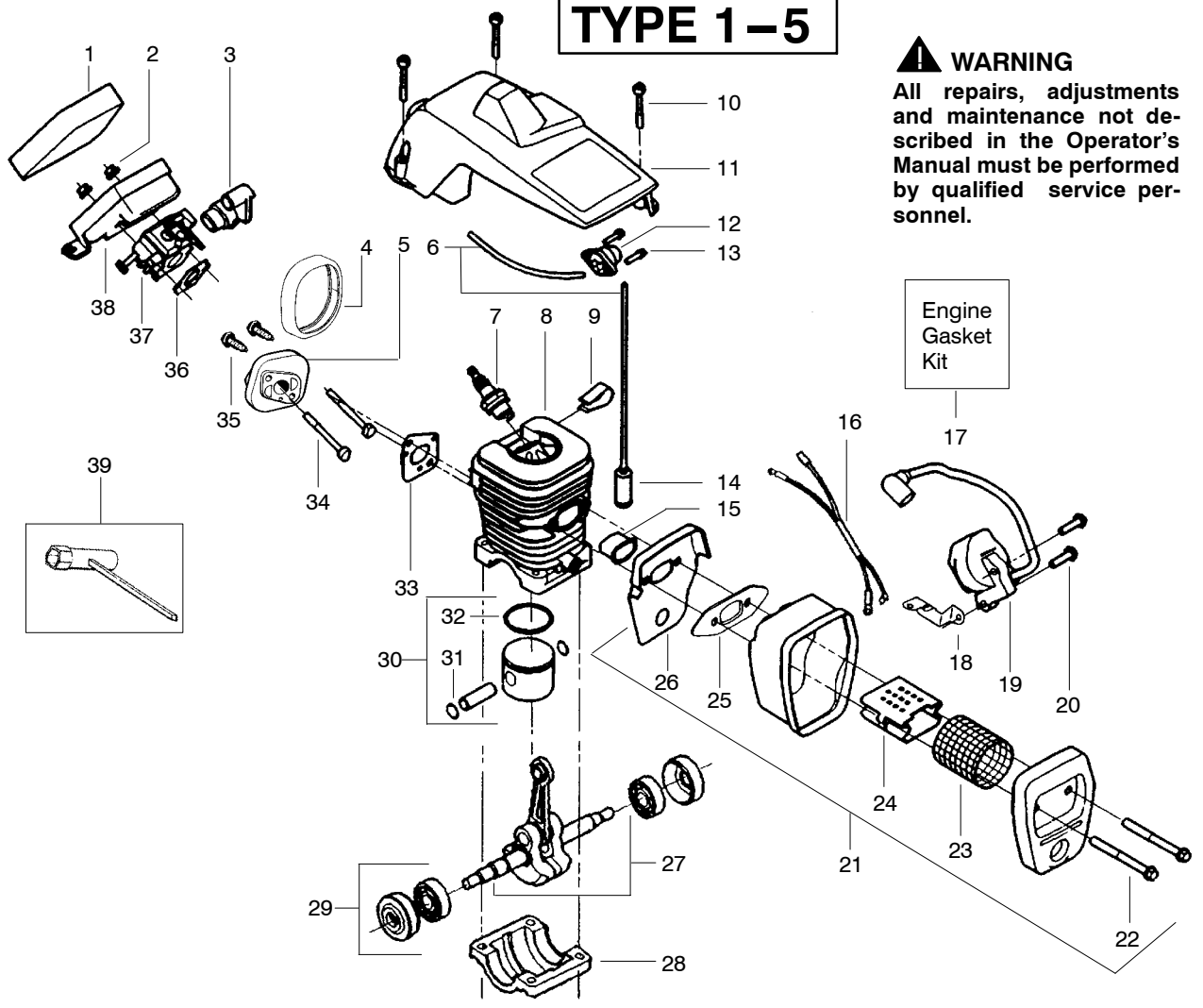


Ref.	Part No.	Description	Ref.	Part No.	Description	Ref.	Part No.	Description
1.	530038227	Lever-Switch (Includes Pin)	20.	530015920	Screw	40.	530015826	Pin-Bar Adjust
2.	530016149	Spring-Switch	21.	530049334	Housing-Fan	41.	952051211	Chain - 16"
3.	530015775	Screw	22.	530069232	Kit-Rope	42.	530044692	Bar - 16"
4.	530047192	Assy-Fuel Cap	23.	530056402	Handle-Starter	43.	530015940	Screw
5.	530023877	Fitting	24.	530015892	Screw	44.	530071259	Kit-Oil Pump (incl 45,46,48)
6.	530069216	Kit-Fuel Line (Large)	25.	530056798	Handle-Front	45.	530037820	Gear-Worm Spring
7.	530015922	Nut-Speed	26.	530027531	Spring-Starter	46.	530049477	Elbow-Oil Pickup
8.	---	Assy-Chassis	27.	530037817	Pulley-Starter	47.	530016064	Screw
	530058909	Green	28.	530016080	Screw	48.	530019206	Seal Block
	530057470	Black	29.	530071666	Kit-Oil Check Valve	49.	530047663	Assy-Oil-Pickup (Incl. 50-51)
9.	530049005	Grommet-Choke Knob	30.	530015814	Screw	50.	530038373	Pickup-Oiler
10.	530047989	Lever-Choke	31.	530010846	Assy-Oil Cap	51.	530056533	Filter-Oil
11.	530037809	Wire-Throttle	32.	530016132	Screw			
12.	530071832	Kit-Trigger & Lockout	33.	530029850	Chain Catcher			
13.	530014949	Assy. - Clutch	34.	530015814	Screw			
14.	530015611	Washer-Clutch	35.	530038238	Plate-Bar Mounting			
15.	530047061	Assy-Drum W/brg.	36.	530054735	Assy-Chain Brake			
16.	530015907	Washer - Thrust	37.	530015917	Nut-Bar Mounting			
17.	530039187	Assy-Flywheel	38.	530069611	Kit-Bar Adjust (incl. 39,40)			
18.	530015127	Washer-Flywheel	39.	530038593	Retainer-Bar Adjust			
19.	530016134	Nut-Flywheel						

✓ = NEW PART NUMBER FOR THIS IPL

* = REFER TO THE SERVICE REFERENCE INDICATED FOR MORE INFORMATION. (LOCATED AT END OF IPL)

TYPE 1-5

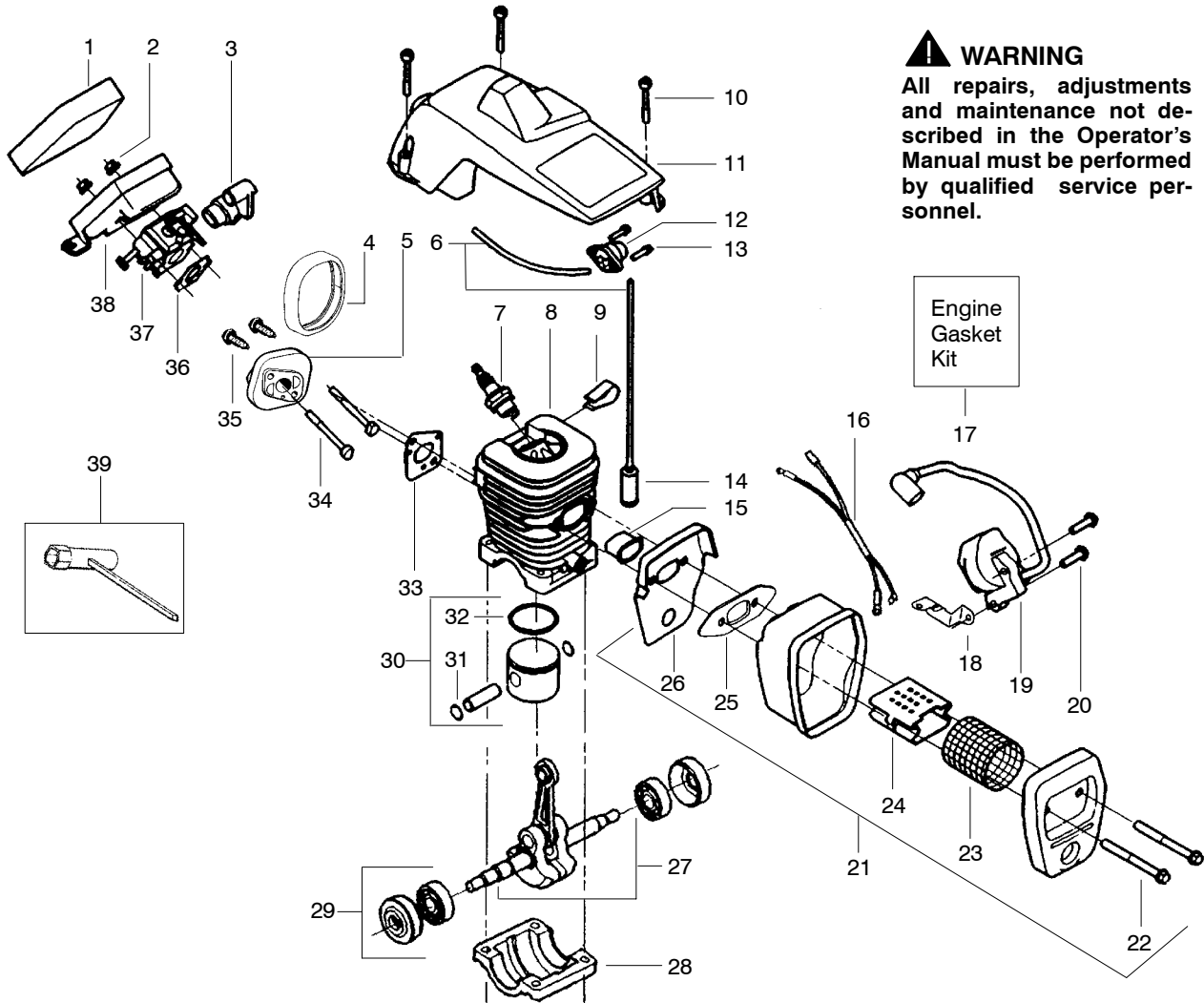


⚠ WARNING
All repairs, adjustments and maintenance not described in the Operator's Manual must be performed by qualified service personnel.

Ref.	Part No.	Description	Ref.	Part No.	Description	Ref.	Part No.	Description
1.	530037793	Foam - Air Filter	17.	530069608	Kit - Engine Gasket (Incl. 25, 33 & 36)	31.	530015697	Retainer - Piston Pin
2.	530016101	Nut	18.	530047442	Strap - Ground	32.	530029805	Ring - Piston
3.	530035526	Grommet - Carb Adjust	19.	530039167	Module - Ignition	33.	530069608	Gasket - Carb. Adapter
4.	*****	Seal - Carb Adapter	20.	530015814	Screw	34.	530016187	Screw
5.	530049700	Carb. Adapter	21.	530047207	Assy - Muffler (Incl. 22 - 26)	35.	530016386	Screw
6.	530069247	Fuel Line Kit (Small)	22.	530016132	Screw	36.	530069608	Gasket - Carburetor
7.	952030150	Spark Plug (RCJ - 7Y)	23.	530036103	Screen - Spark	37.	---	Kit - Carburetor (WT - 324)
8.	530069606	Cylinder Kit	24.	530037813	Diffuser - Muffler		530071620	(WT - 624)
9.	530016136	Clip - High Tension Lead	25.	530069608	Gasket - Muffler	38.	530037804	Housing - Air Filter
10.	530016153	Screw	26.	530049870	Backplate - Muffler	39.	530031163	Wrench - Bar
11.	530037798	Cylinder Shield	27.	530047062	Assy. - Crankshaft			Not Shown
12.	530047213	Air Purge Ass'y.	28.	530037935	Cap - Crankcase		---	Operator Manual Type 1,2,3,4
13.	530015780	Screw	29.	530056363	Assy. - Seal & Bearing		530087857	Type 5
14.	530095646	Fuel Pick-up Ass'y.	30.	530069604	Kit - Piston (Incl. 31 & 32)		530163675	
15.	530037652	Heat Insulator						
16.	530052296	Assy. - Wire Harness						

✓ = NEW PART NUMBER FOR THIS IPL * = REFER TO THE SERVICE REFERENCE INDICATED FOR MORE INFORMATION. (LOCATED AT END OF IPL)
● = THESE PARTS ARE ILLUSTRATED FOR CLARITY. ORDER COMPLETE ASSEMBLY.

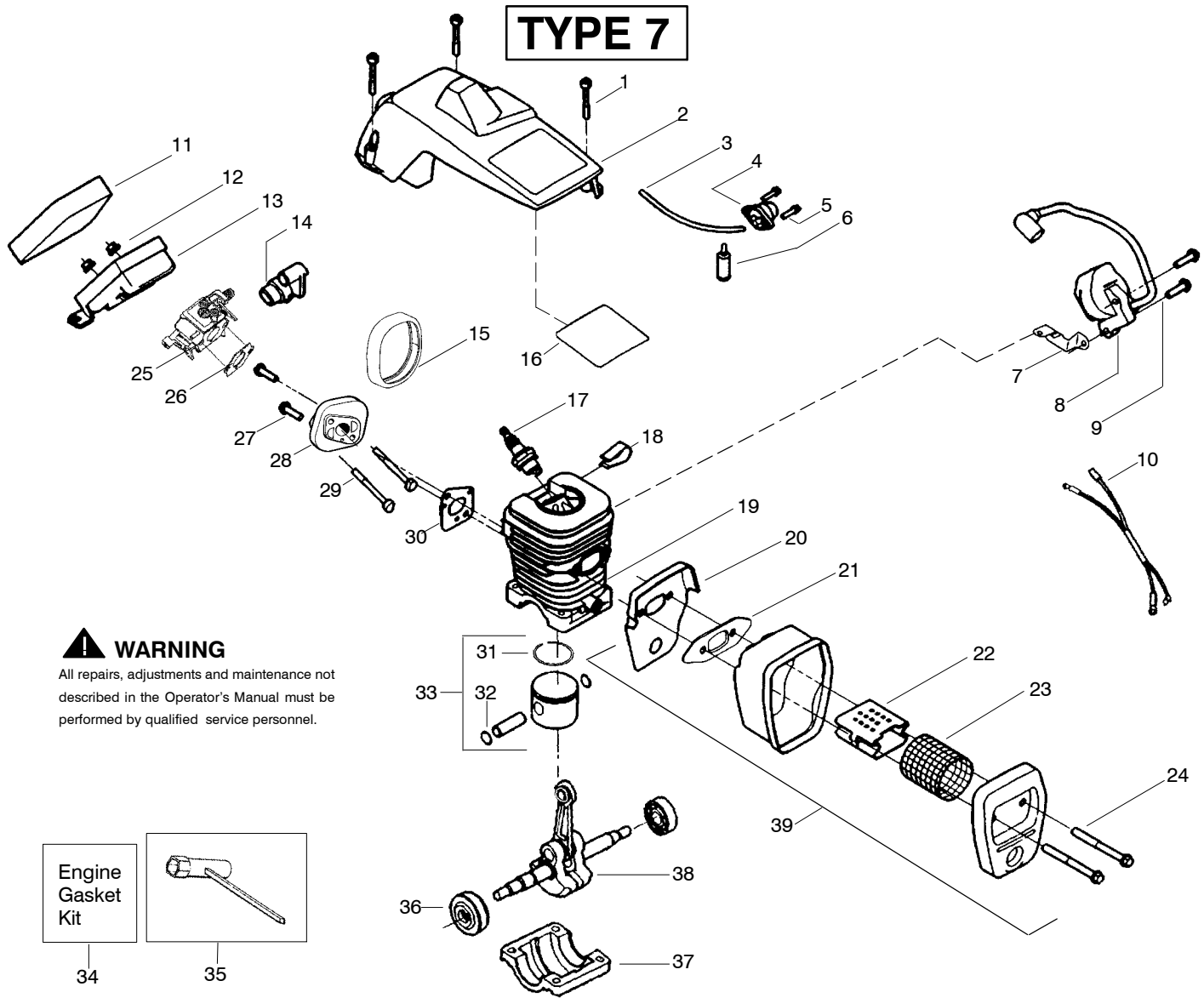
TYPE 6



⚠ WARNING
All repairs, adjustments and maintenance not described in the Operator's Manual must be performed by qualified service personnel.

Ref.	Part No.	Description	Ref.	Part No.	Description	Ref.	Part No.	Description
1.	530037793	Foam-Air Filter	17.	530069608	Kit-Engine Gasket (Incl. 25, 33 & 36)	31.	530015697	Retainer-Piston Pin
2.	530016101	Nut	18.	530047442	Strap-Ground	32.	530038729	Ring - Piston
3.	530035526	Grommet-Carb Adjust	19.	530039167	Module-Ignition	33.	530069608	Gasket - Carb. Adapter
4.	*****	Seal-Carb Adapter	20.	530015814	Screw	34.	530016187	Screw
5.	530049700	Carb. Adapter	21.	530047207	Assy-Muffler (Incl. 22-26)	35.	530016386	Screw
6.	530069247	Fuel Line Kit (Small)	22.	530016132	Screw	36.	530069608	Gasket - Carburetor
7.	952030150	Spark Plug (RCJ-7Y)	23.	530036103	Screen-Spark	37.	---	Kit-Carburetor (WT-324)
8.	530071412	Cylinder Kit	24.	530037813	Diffuser-Muffler		530069703	(WT-624)
9.	530016136	Clip-High Tension Lead	25.	530069608	Gasket-Muffler	38.	530071620	(WT-624)
10.	530016153	Screw	26.	530049870	Backplate-Muffler	39.	530037804	Housing-Air Filter
11.	530037798	Cylinder Shield	27.	530047062	Assy. - Crankshaft		530031163	Wrench - Bar
12.	530047213	Air Purge Ass'y.	28.	530037935	Cap-Crankcase	Not Shown		
13.	530015780	Screw	29.	530056363	Assy.-Seal & Bearing		---	Operator Manual
14.	530095646	Fuel Pick-up Ass'y.	30.	530071408	Kit-Piston (Incl. 31 & 32)		530087857	Type 1,2,3,4
15.	530037652	Heat Insulator					530163675	Type 5,6
16.	530052296	Assy. -Wire Harness						

✓ = NEW PART NUMBER FOR THIS IPL * = REFER TO THE SERVICE REFERENCE INDICATED FOR MORE INFORMATION. (LOCATED AT END OF IPL)
● = THESE PARTS ARE ILLUSTRATED FOR CLARITY. ORDER COMPLETE ASSEMBLY.



▲ WARNING

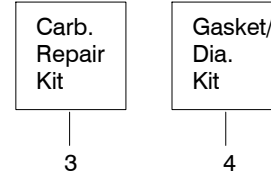
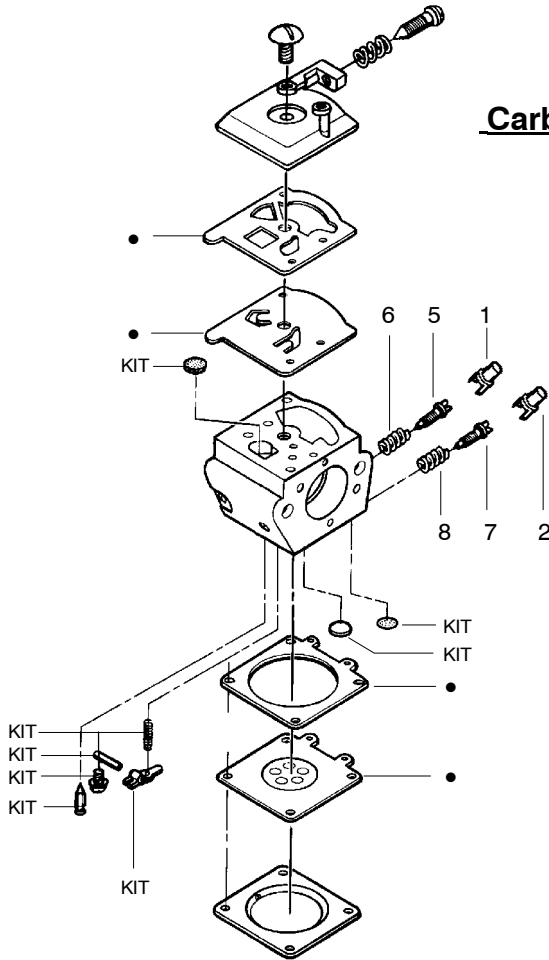
All repairs, adjustments and maintenance not described in the Operator's Manual must be performed by qualified service personnel.

Ref.	Part No.	Description	Ref.	Part No.	Description	Ref.	Part No.	Description
1.	530016153	Screw	19.	530012550	Cylinder	34.	530069608	Kit-Engine Gasket (Incl. 21, 26 & 30)
2.	530055637	Assy-Cylinder Shield (includes # 16)	20.	530049870	Backplate-Muffler	35.	530031163	Bar Wrench
3.	530069247	Kit-Fuel Line (Small)	21.	530069608	Gasket-Muffler(kit)	36.	530056363	Assy-Seal & Bearing
4.	530047213	Assy-Air Purge	22.	530037813	Diffuser-Muffler	37.	530037935	Cap-Crankcase
5.	530015780	Screw	23.	530036103	Screen-Spark	38.	530047062	Assy-Crankshaft
6.	530095646	Assy-Fuel Pick-up	24.	530016132	Bolt-Muffler	39.	530047207	Assy-Muffler (Incl. 20-24)
7.	530047442	Strap-Ground	25.	---	Kit-Carburetor			Not Shown
8.	530039198	Ignition Module		545081885	Walbro (WT-891) (Incl. Grommet)			
9.	530015814	Screw	26.	530069608	Gasket-Carb. (kit)			
10.	530052296	Assy-Wire Harness	27.	530016386	Screw		530164603	Manuals
11.	530037793	Foam-Air Filter	28.	530049700	Carb. Adapter		530164603	N. America
12.	530016101	Nut	29.	530016187	Screw		545123745	Non-CE I
13.	530057480	Assy-Air Box	30.	530069608	Gasket-Adaptor(kit)		545123746	Non-CE Russia
14.	530035526	Grommet-Carb Adjust	31.	530038729	Ring-Piston		545003001	Decal-Warning (Russia)
15.	530054144	Seal-Carb Adapter	32.	530015697	Retainer-Piston Pin		530057757	Decal-Warning
16.	530055698	Reflector-Heat	33.	530071408	Kit-Piston (Incl. 31 & 32)		530059229	Decal-Start Inst.
17.	952030150	Spark Plug (RCJ-7Y)						
18.	530016136	Clip-High Tension Lead						

✓ = NEW PART NUMBER FOR THIS IPL

* = REFER TO THE SERVICE REFERENCE INDICATED FOR MORE INFORMATION. (LOCATED AT END OF IPL)

Carburetor Assembly – WT324 – #530069703

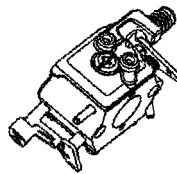


Ref.	Part No.	Description
1.	530038479	Limiter Cap – High (brown)
2.	530038478	Limiter Cap – Low (tan)
3.	530069826	Carburetor Repair Kit (KIT= Indicates Contents)
4.	530069844	Gasket Diaphragm Kit (● Indicates Contents)
5.	530035383	Needle – Low Speed
6.	530035293	Needle Spring – Low Speed
7.	530035384	Needle – High Speed
8.	530035295	Needle Spring – High Speed

Kit - Carburetor Assembly No. 530071620 - WT-624

Kit - Carburetor Assembly No. 530071820 - W-20

Kit - Carburetor Assembly No. 530071821 - WT-662



Note: No Repair kits are available for these carburetors

***** Service Reference *****

Note: Your chain saw may have either a one or two piece seal. Please note the two piece seal is no longer available, and you will need to order the one piece seal as a replacement.



If your saw has the one or two piece seal, order the **530054144** seal.

