

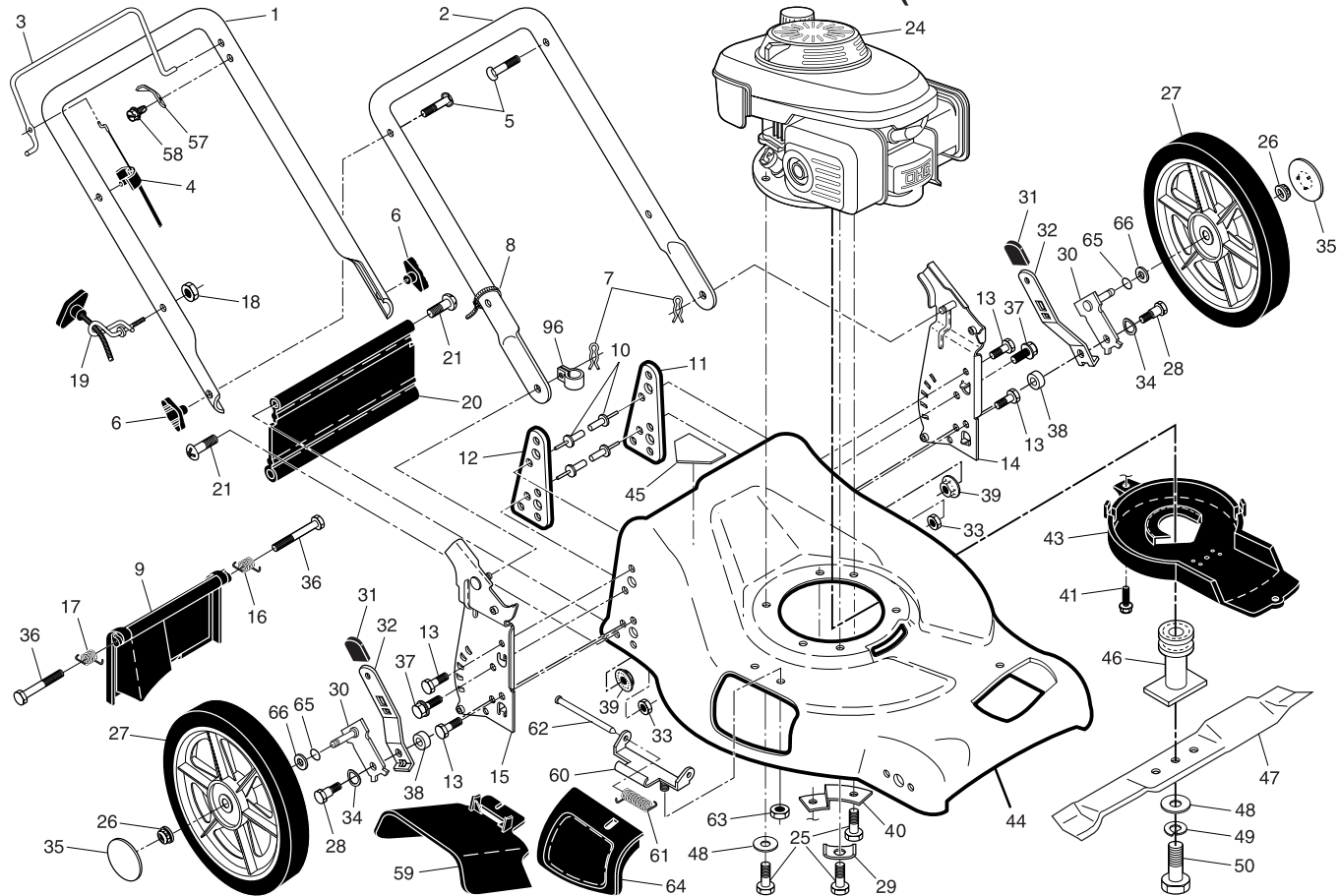
**REPAIR PARTS MANUAL**  
**MODEL NO. PR160Y21RPC**  
**MFG. ID. NO. 96148000900**  
**Rotary Lawn Mower**

For Parts and Service, contact our authorized distributor: call 1-800-849-1297  
For Technical Assistance: call 1-800-829-5886

**Poulan PRO**

# ROTARY LAWN MOWER -- MODEL NUMBER PR160Y21RPC (MFG. I.D. NUMBER 96148000900)

2



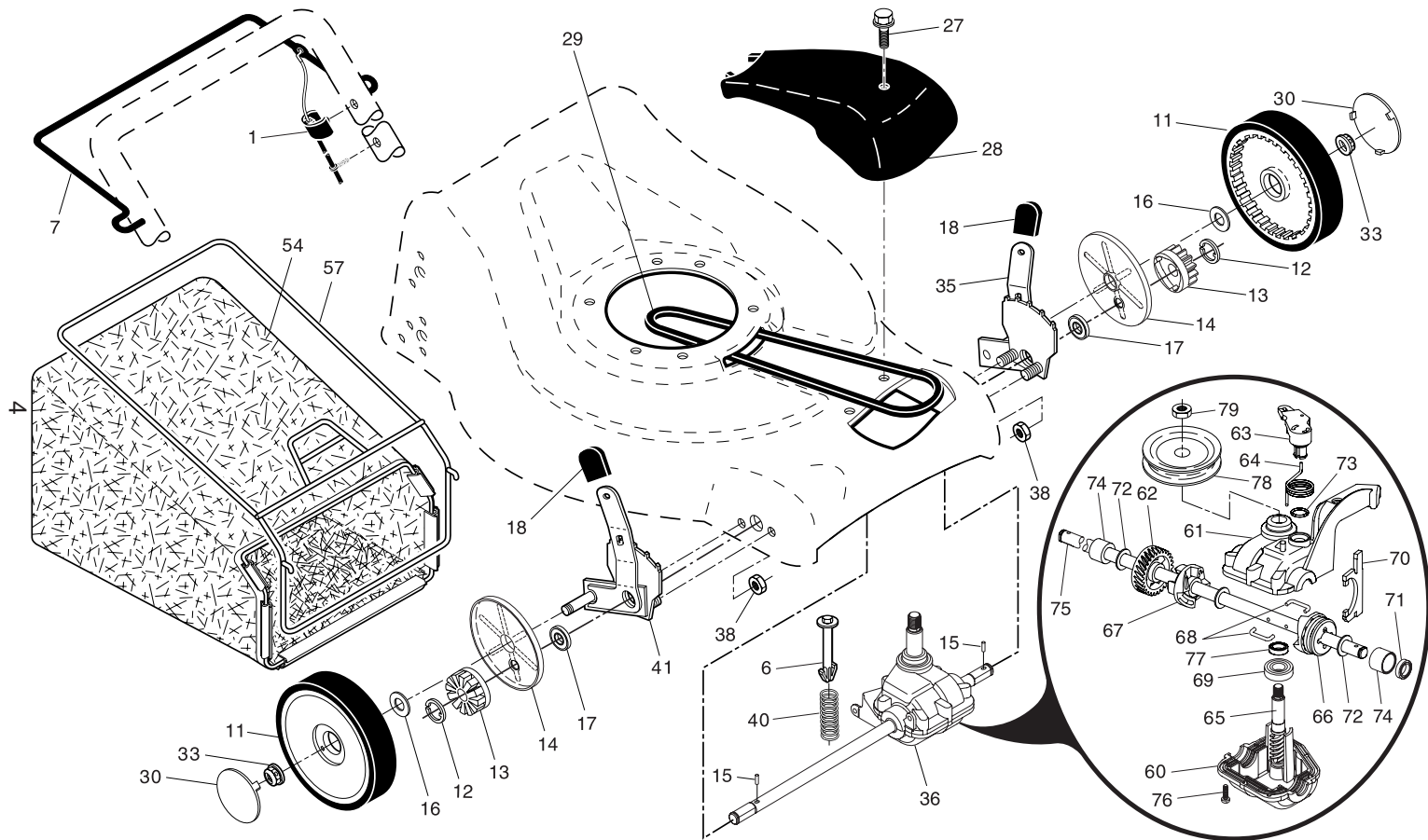
# ROTARY LAWN MOWER - - MODEL NUMBER **PR160Y21RPC** (MFG. I.D. NUMBER 9614800900)

KEY NO.	PART NO.	DESCRIPTION	KEY NO.	PART NO.	DESCRIPTION	KEY NO.	PART NO.	DESCRIPTION
1	194200X479	Upper Handle	25	150406	Screw, Hex Head, Threaded, Rolled 3/8-16 x 2	45	404763	Danger Decal
2	151721X479	Lower Handle				46	189179	Blade Adapter / Pulley
3	194199X421	Control Bar	26	409149	Nut, Hex, Flangelock 3/8-16	47	406712	Blade, 21"
4	183567	Engine Zone Control Cable	27	408852X421	Wheel & Tire Assembly, Rear, 12"	48	851074	Hardened Washer
5	191574	Handle Bolt				49	850263	Helical Washer 3/8
6	189713X428	Handle Knob	28	401638	Bolt, Shoulder 5/16-18	50	851084	Blade Bolt, Hex Head, Grade 8
7	51793	Hairpin Cotter	30	401181X004	Axle Arm Assembly, Rear			
8	66426	Wire Tie	31	701037X421	Selector Knob	57	850733X004	Bracket, Upstop
9	401812X428	Rear Door Assembly	32	401626X004	Selector Spring	58	750634	Screw
10	128415	Pop Rivet	33	73800500	Nut, Hex, Nylock 5/16-18	59	175071	Discharge Deflector
11	406573X479	Support Bracket, LH	34	401630	Washer, Curved, Cylindrical	60	175735	Hinge Bracket
ω 12	406574X479	Support Bracket, RH	35	407794X421	Hubcap	61	193000	Spring
13	17060410	Screw 1/4-20 x 5/8	36	184193	Bolt, Rear Door	62	175650	Rod, Hinge
14	175576X479	Handle Bracket, LH	37	74780512	Thread Cutting Screw w/Sems 5/16-18 x 3/4	63	73800400	Nut, Hex
15	175577X479	Handle Bracket, RH				64	175066	Mulcher Door
16	405417	Spring, Rear Door, LH	38	401629	Spacer	65	197480	O-Ring
17	405418	Spring, Rear Door, RH	39	155377	Nut, Hex	66	88348	Washer, Flat 1/2
18	132004	Keps Locknut 1/4-20	40	188839X004	Mounting Bracket, Debris Shield	96	197991	Clip, Cable
19	194788	Rope Guide				--	404764	Warning Decal (not shown)
20	413159	Rear Skirt	41	192325	Screw, Debris Shield	--	193733	Operator's Manual, English
21	88652	Hinge Screw 1/4-20 x 1-1/4	43	405845	Debris Shield	--	193736	Operator's Manual, French
24	--	Engine, Honda, Model Number GCV160 (For engine service and replacement parts, call Honda Engines at 1-800-426-7701)	44	412215	Kit, Housing (Includes Key Numbers 10, 11, 12 and 45)	--	417736	Repair Parts Manual, English

**NOTE:** All component dimensions given in U.S. inches. 1 inch = 25.4 mm.

**IMPORTANT:** Use only Original Equipment Manufacturer (O.E.M.) replacement parts. Failure to do so could be hazardous, damage your lawn mower and void your warranty.

# ROTARY LAWN MOWER -- MODEL NUMBER PR160Y21RPC (MFG. I.D. NUMBER 9614800900)



# ROTARY LAWN MOWER - - MODEL NUMBER **PR160Y21RPC** (MFG. I.D. NUMBER 96148000900)

5

KEY NO.	PART NO.	DESCRIPTION	KEY NO.	PART NO.	DESCRIPTION
1	194653	Drive Control Assembly	57	411950	Frame, Grassbag
6	150495	Retainer, Spring	60	183497	Case, Lower
7	194185X421	Bar, Drive Control	61	183498	Case, Upper
11	180775	Wheel & Tire Assembly, Front, 8"	62	183499	Gear, 27 Teeth
12	12000058	E-Ring	63	183500	Lever, Clutch
13	403849	Pinion, Gear	64	183501	Spring, Return
14	189403	Dust Cover	65	416988	Shaft, Input
15	404845	Pawl, Drive	66	183503	Dog, Movable
16	67725	Washer 1/2 x 1-1/2 x .134	67	183504	Dog, Fixed
17	191039	Bearing, Wheel Adjuster	68	183505	Wire, Formed
18	701037X421	Selector Knob	69	183506	Bearing, Ball
27	175262	Pan Head Tapping Screw #10-24 x 2-3/4	70	183507	Fork, Shift
28	194406X428	Drive Cover	71	183508	Seal, Output Shaft
29	175436	V-Belt	72	183509	Washer
30	407793X421	Hubcap	73	183510	Seal, Case
33	409149	Locknut	74	183511	Bushing
35	408862	Kit, Wheel Adjuster, LH (Includes Knob and Bearing)	75	196613	Shaft, Output
36	415225	* Gear Case Assembly, Complete	76	183513	Screw
38	73800400	Locknut 1/4-20	77	183514	Seal, Input Shaft
40	137090	Spring	78	416987	Pulley, Drive
41	408861	Kit, Wheel Adjuster, RH (Includes Knob and Bearing)	79	416986	Locknut, Hex
54	411063	Grassbag Assembly			

**\* NOTE:** We advise Total Multis EP00 semi-liquid grease or a comparable grade (quantity 1.15 oz)

**NOTE:** All component dimensions given in U.S. inches. 1 inch = 25.4 mm.

**IMPORTANT:** Use only Original Equipment Manufacturer (O.E.M.) replacement parts. Failure to do so could be hazardous, damage your lawn mower and void your warranty.

# **SERVICE NOTES**

# **SERVICE NOTES**

## LIMITED WARRANTY

The Manufacturer warrants to the original consumer purchaser that this product as manufactured is free from defects in materials and workmanship. For a period of two (2) years from date of purchase by the original consumer purchaser, we will repair or replace, at our option, without charge for parts or labor incurred in replacing parts, any part which we find to be defective due to materials or workmanship. This Warranty is subject to the following limitations and exclusions.

1. This warranty does not apply to the engine, transaxle/transmission components, battery (except as noted below) or components parts thereof. Please refer to the applicable manufacturer's warranty on these items.
2. Transportation charges for the movement of any power equipment unit or attachment are the responsibility of the purchaser. Transportation charges for any parts submitted for replacement under this warranty must be paid by the purchaser unless such return is requested by the manufacturer.
3. Battery Warranty: On products equipped with a Battery, we will replace, without charge to you, any battery which we find to be defective in manufacture, during the first ninety (90) days of ownership. After ninety (90) days, we will exchange the Battery, charging you 1/12 of the price of a new Battery for each full month from the date of the original sale. Battery must be maintained in accordance with the instructions furnished.
4. The Warranty period for any products used for rental or commercial purposes is limited to 45 days from the date of original purchase.
5. This Warranty applies only to products which have been properly assembled, adjusted, operated, and maintained in accordance with the instructions furnished. This Warranty does not apply to any product which has been subjected to alteration, misuse, abuse, improper assembly or installation, delivery damage, or to normal wear of the product.
6. Exclusions: Excluded from this Warranty are belts, blades, blade adapters, normal wear, normal adjustments, standard hardware and normal maintenance.
7. In the event you have a claim under this Warranty, you must return the product to an authorized service dealer.

Should you have any unanswered questions concerning this Warranty, contact:

Poulan Pro  
Customer Service Department  
1030 Stevens Creek Road  
Augusta, GA 30907 USA

In Canada contact:  
Poulan Pro  
Customer Service Department  
5855 Terry Fox Way  
Mississauga, Ontario L5V 3E4

giving the model number, serial number and date of purchase of your product and the name and address of the authorized dealer from whom it was purchased.

**THIS WARRANTY DOES NOT APPLY TO INCIDENTAL OR CONSEQUENTIAL DAMAGES AND ANY IMPLIED WARRANTIES ARE LIMITED TO THE SAME TIME PERIODS STATED HEREIN FOR OUR EXPRESSED WARRANTIES.**

Some areas do not allow the limitation of consequential damages or limitations of how long an implied Warranty may last, so the above limitations or exclusions may not apply to you. This Warranty gives you specific legal rights, and you may have other rights which vary from locale to locale.

This is a limited Warranty within the meaning of that term as defined in the Magnuson-Moss Act of 1975.

# Poulan PRO