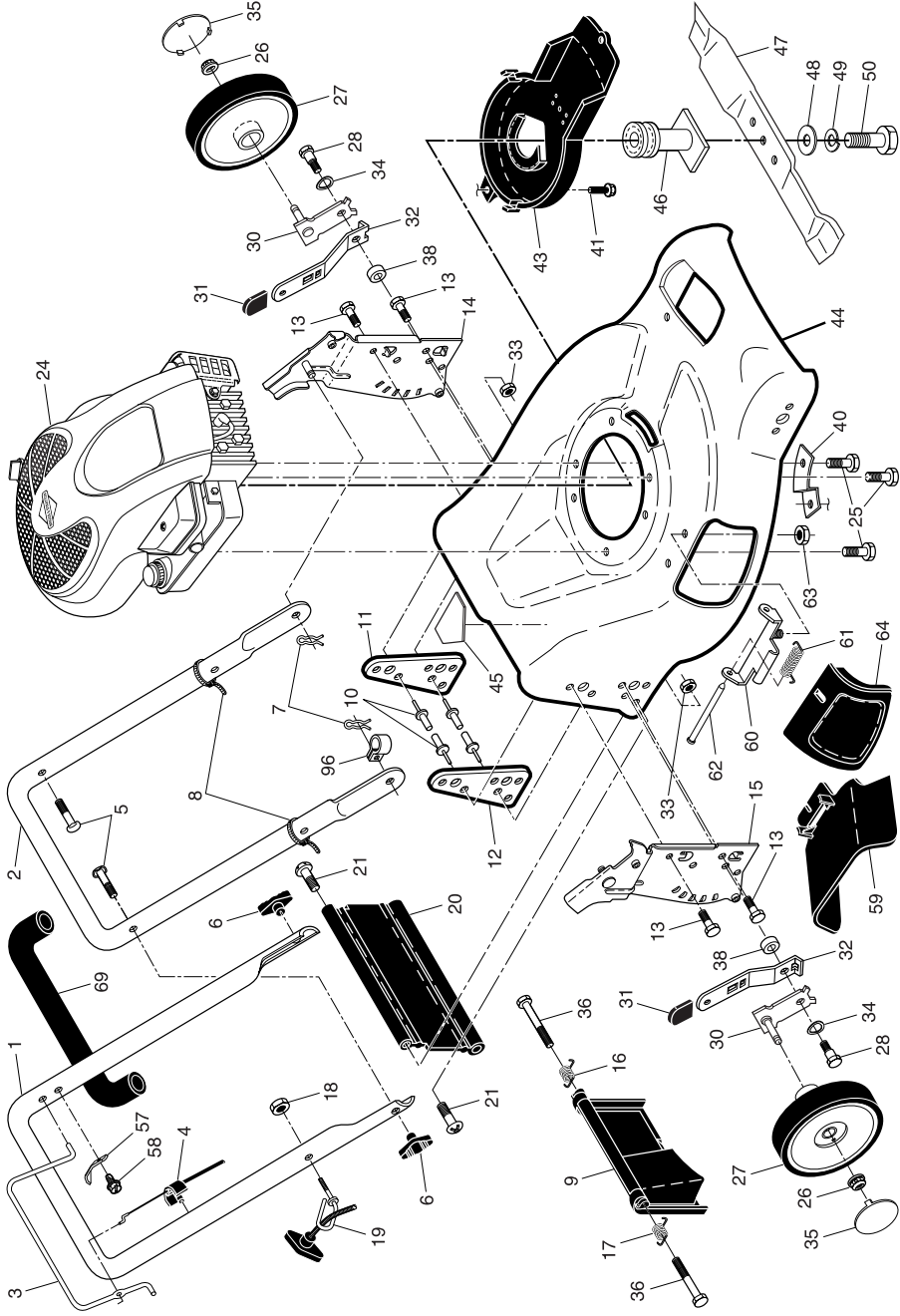


REPAIR PARTS MANUAL
MODEL NO. XT600Y21RP
(MFG. ID. NO. 96142004201)
Rotary Lawn Mower

For Parts and Service, contact our authorized distributor: call 1-800-849-1297
For Technical Assistance: call 1-800-829-5886

Poulan PRO

Poulan PRO



LIMITED WARRANTY

The Manufacturer warrants to the original consumer purchaser that this product as manufactured is free from defects in materials and workmanship. For a period of two (2) years from date of purchase by the original consumer purchaser, we will repair or replace, at our option, without charge for parts or labor incurred in replacing parts, any part which we find to be defective due to materials or workmanship. This Warranty is subject to the following limitations and exclusions.

1. This warranty does not apply to the engine, transaxle/transmission components, battery (except as noted below) or components parts thereof. Please refer to the applicable manufacturer's warranty on these items.
2. Transportation charges for the movement of any power equipment unit or attachment are the responsibility of the purchaser. Transportation charges for any parts submitted for replacement under this warranty must be paid by the purchaser unless such return is requested by the manufacturer.
3. Battery Warranty: On products equipped with a Battery, we will replace, without charge to you, any battery which we find to be defective in manufacture, during the first ninety (90) days of ownership. After ninety (90) days, we will exchange the Battery, charging you 1/12 of the price of a new Battery for each full month from the date of the original sale. Battery must be maintained in accordance with the instructions furnished.
4. The Warranty period for any products used for rental or commercial purposes is limited to 45 days from the date of original purchase.
5. This Warranty applies only to products which have been properly assembled, adjusted, operated, and maintained in accordance with the instructions furnished. This Warranty does not apply to any product which has been subjected to alteration, misuse, abuse, improper assembly or installation, delivery damage, or to normal wear of the product.
6. Exclusions: Excluded from this Warranty are belts, blades, blade adapters, normal wear, normal adjustments, standard hardware and normal maintenance.
7. In the event you have a claim under this Warranty, you must return the product to an authorized service dealer.

Should you have any unanswered questions concerning this Warranty, contact:

Poulan Pro
Customer Service Department
1030 Stevens Creek Road
Augusta, GA 30907 USA

In Canada contact:
Poulan Pro
Customer Service Department
5855 Terry Fox Way
Mississauga, Ontario L5V 3E4

giving the model number, serial number and date of purchase of your product and the name and address of the authorized dealer from whom it was purchased.

THIS WARRANTY DOES NOT APPLY TO INCIDENTAL OR CONSEQUENTIAL DAMAGES AND ANY IMPLIED WARRANTIES ARE LIMITED TO THE SAME TIME PERIODS STATED HEREIN FOR OUR EXPRESSED WARRANTIES.

Some areas do not allow the limitation of consequential damages or limitations of how long an implied Warranty may last, so the above limitations or exclusions may not apply to you. This Warranty gives you specific legal rights, and you may have other rights which vary from locale to locale.

This is a limited Warranty within the meaning of that term as defined in the Magnuson-Moss Act of 1975.

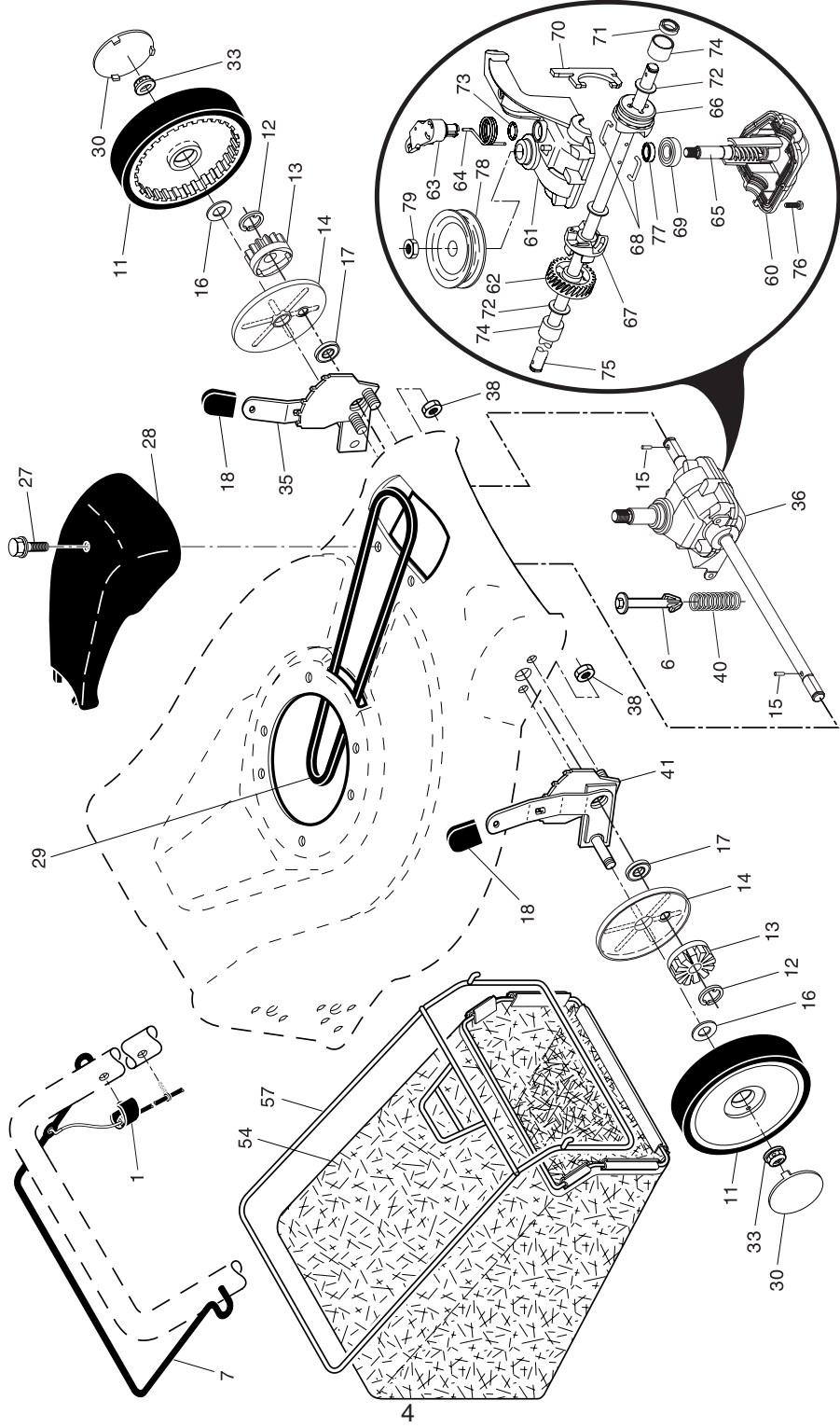
ROTARY LAWN MOWER -- MODEL NUMBER XT600Y21RP (MFG. ID. NO. 96142004201)

KEY NO.	PART NO.	DESCRIPTION	KEY NO.	PART NO.	DESCRIPTION	KEY NO.	PART NO.	DESCRIPTION
1	402419	Upper Handle Assembly (Includes Foam Grip)	24	---	Engine, Briggs & Stratton, Model Number 120T02 (For engine service and replacement parts, call Briggs & Stratton at 1-800-233-3723)	43	405845	Debris Shield
2	151721X479	Lower Handle				44	412340	Kit, Lawn Mower Housing (Includes Key No. 11, 12, 45)
3	194199X428	Control Bar				45	404763	Danger Decal
4	183567	Engine Zone Control Cable				46	189179	Blade Adapter / Pulley
5	191574	Handle Bolt				47	406712	Blade, 21"
6	189713X428	Handle Knob	25	150406	Hex Head Thread Rolling Screw 3/8-16 x 1-1/8	48	851074	Hardened Washer
7	51793	Hairpin Cotter				49	850263	Helical Washer
8	66426	Wire Tie	26	409148	Hex Flange Nut	50	851084	Screw, Hex Head, Grade 8, 3/8-24 x 1-3/8
9	401812X428	Rear Door Assembly	27	151155	Wheel & Tire Assembly	57	850733X004	Bracket, Upstop
10	128415	Pop Rivet	28	401638	Shoulder Bolt	58	750634	Screw #10-24 x 1/2
11	406573X479	Support Bracket, LH				59	175071	Discharge Deflector
12	406574X479	Support Bracket, RH	30	401178X004	Axle Arm Assembly, Rear	60	173735	Hinge Bracket
13	17060410	Screw, Tapping 1/4-20 x 5/8	31	701037	Selector Knob	61	193000	Hinge Spring
14	175082X479	Handle Bracket, LH	32	401623X004	Selector Spring	62	175650	Hinge Rod
15	175081X479	Handle Bracket, RH	33	155377	Nut, Hex	63	738000400	Nut, Hex
16	405417	Spring, Rear Door, LH	34	401630	Washer, Curved, Cylindrical	64	175066	Mulcher Door
17	405418	Spring, Rear Door, RH	35	407793X427	Hubcap	69	186362	Foam Grip
18	132004	Nut, Hex 1/4-20	36	184193	Bolt, Rear Door	96	197991	Clip, Cable
19	194788	Rope Guide	38	401629	Spacer	--	404764	Warning Decal (not shown)
20	413159	Rear Skirt	40	188839X004	Mounting Bracket, Debris Shield	--	193733	Operator's Manual, English
21	88652	Hinge Screw 1/4-20 x 1-1/4	41	192325	Screw, Debris Shield	--	193736	Operator's Manual, French
								Replacement Parts Manual

IMPORTANT: Use only Original Equipment Manufacturer (O.E.M.) replacement parts. Failure to do so could be hazardous, damage your lawn mower and void your warranty.

NOTE: All component dimensions given in U.S. inches. 1 inch = 25.4 mm.

ROTARY LAWN MOWER -- MODEL NUMBER XT600Y21RP (MFG. ID. NO. 96142004201)



ROTARY LAWN MOWER -- MODEL NUMBER XT600Y21RP (MFG. ID. NO. 96142004201)

KEY PART NO.	DESCRIPTION	KEY PART NO.	DESCRIPTION
1	194653 Control Cable Assembly	57	411950 Frame, Grassbag
6	150495 Spring Retainer	60	183497 Case, Lower
7	194185X428 Control Bar, Drive	61	183498 Case, Upper
11	180773 Wheel & Tire Assembly	62	183499 Gear, 27 Teeth
12	12000058 E-Ring	63	183500 Lever, Clutch
13	403849 Pinion	64	183501 Spring, Return
14	189403 Dust Cover	65	416988 Shaft, Input
15	404845 Pawl, Drive	66	183503 Dog, Movable
16	67725 Washer 1/2 x 1-1/2 x .134	67	183504 Dog, Fixed
17	191039 Bearing, Wheel Adjuster	68	183505 Wire, Formed
18	701037 Selector Knob	69	183506 Bearing, Ball
27	175262 Pan Head Tapping Screw #10-24 x 2-3/4	70	183507 Fork, Shift
28	181468 Dive Cover	71	183508 Seal, Output Shaft
29	175436 V-Belt	72	183509 Washer
30	407793X427 Hubcap	73	183510 Seal, Case
33	409149 Nut, Flangelock, Special Thread	74	183511 Bushing
35	408861 Kit, Wheel Adjuster, LH (Includes Knob and Bearing)	75	196613 Shaft, Output
36	415225 * Gear Case Assembly, Complete	76	183513 Screw
38	73800400 Locknut, Hex 1/4-20	77	183514 Seal, Input Shaft
40	137090 Spring	78	416987 Pulley, Drive
41	408862 Kit, Wheel Adjuster, RH (Includes Knob and Bearing)	79	416986 Locknut, Hex
54	412337 Grassbag		

* NOTE: We advise Total Multis EP00 semi-liquid grease or a comparable grade (quantity 1.15 oz)

IMPORTANT: Use only Original Equipment Manufacturer (O.E.M.) replacement parts. Failure to do so could be hazardous, damage your lawn mower and void your warranty.
 NOTE: All component dimensions given in U.S. inches. 1 inch = 25.4 mm.