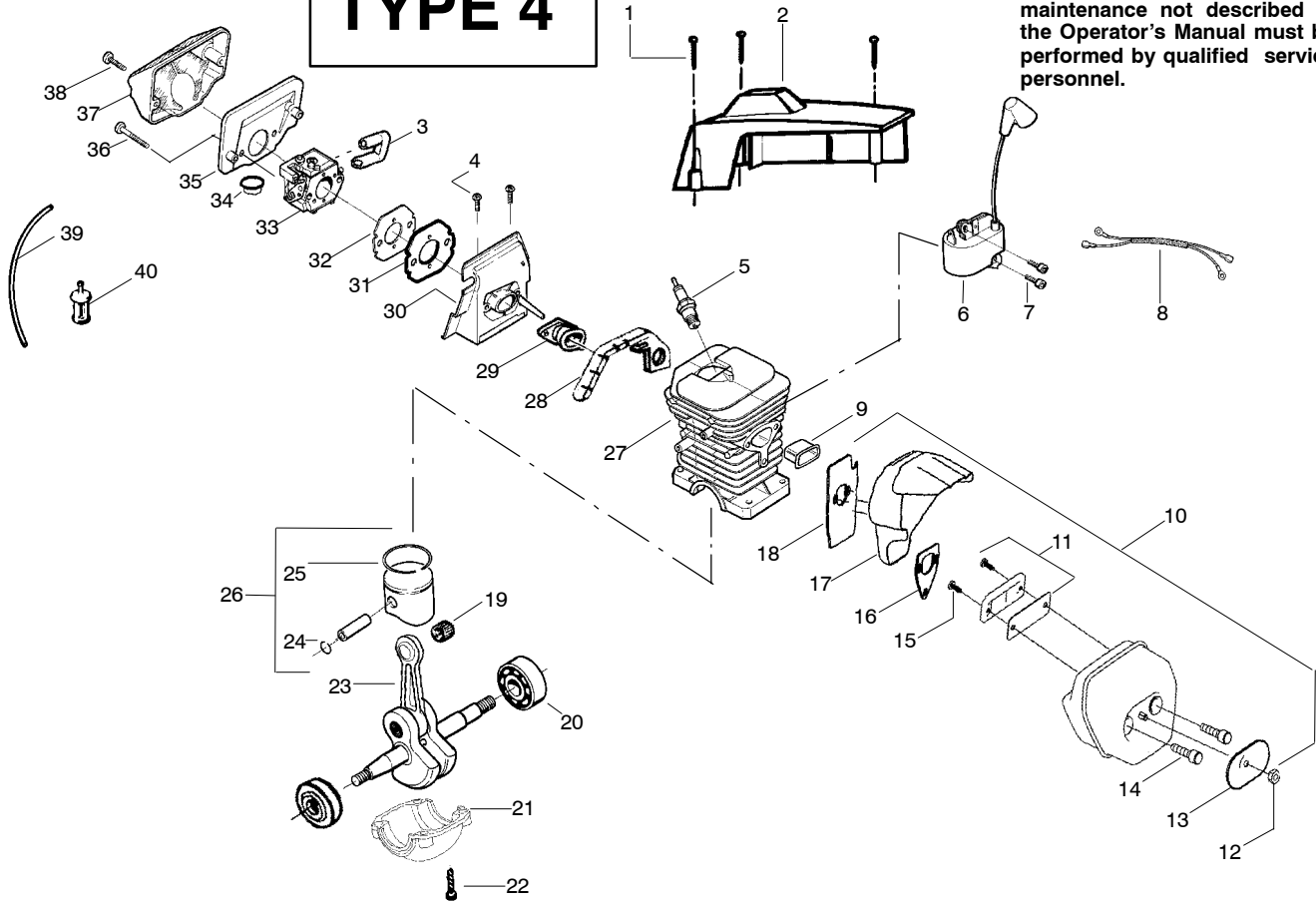


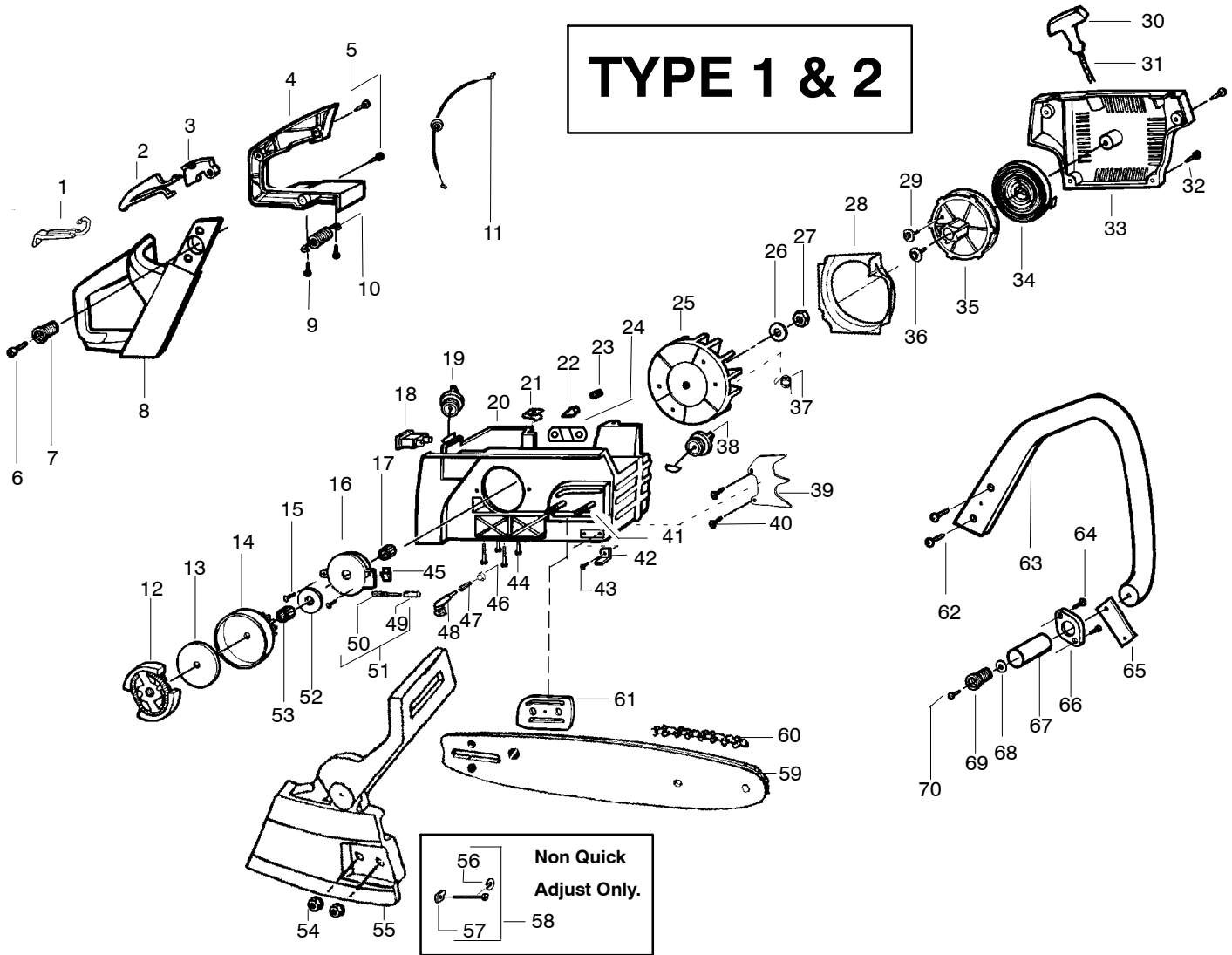
TYPE 4

WARNING
All repairs, adjustments and maintenance not described in the Operator's Manual must be performed by qualified service personnel.



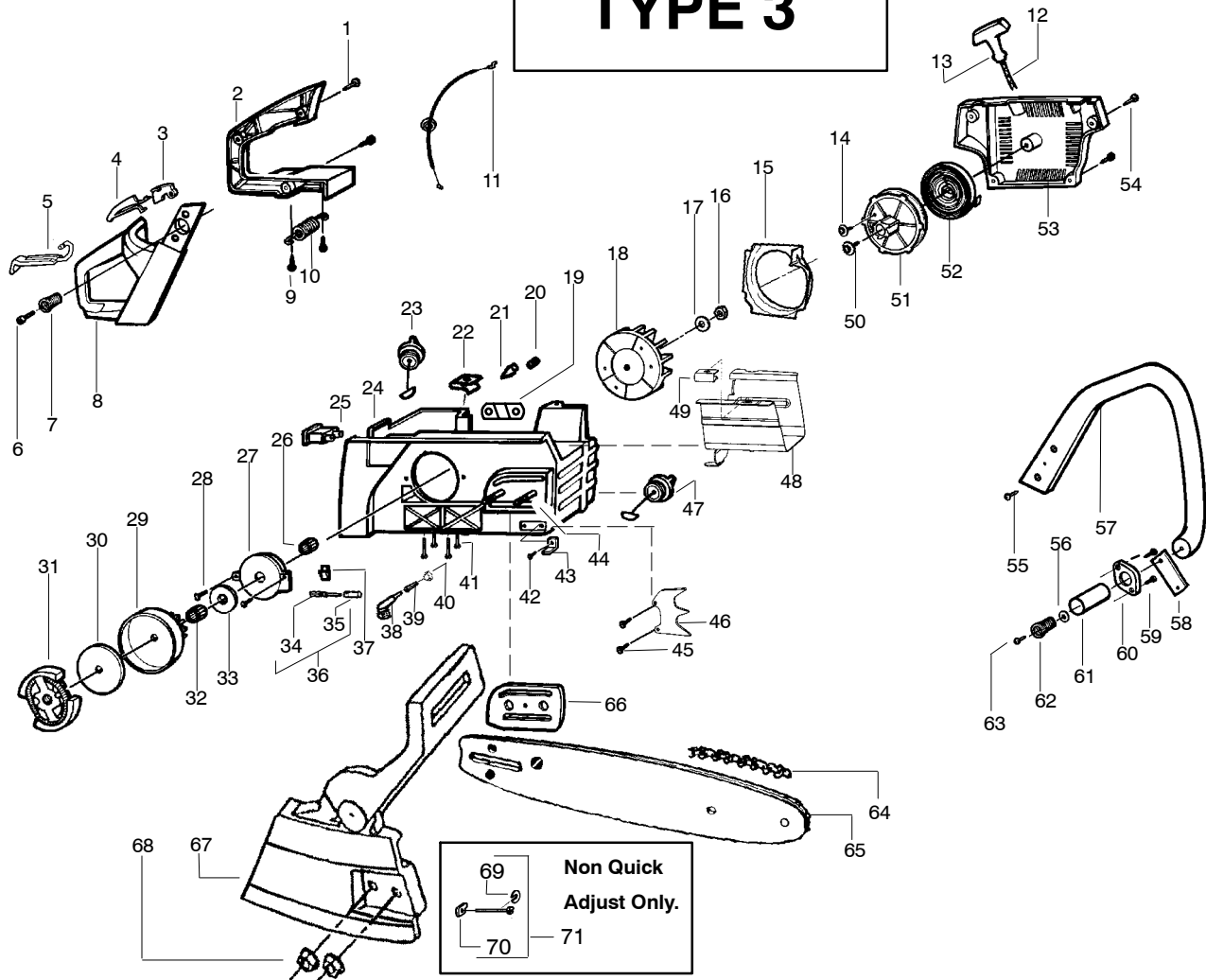
| Ref. | Part No. | Description | Ref. | Part No. | Description |
|------|-----------|---|------|-----------|-------------------------------|
| 1. | 530016154 | Screw | 27. | 530071490 | Assy-Cyl/Crankcase (Incl.#21) |
| 2. | 530069577 | Kit-Cylinder Shield | 28. | 530019251 | Seal-Super Clean |
| 3. | 530035583 | Grommet -Carb. | 29. | 530035581 | Intake Boot |
| 4. | 530015814 | Screw | 30. | 530053396 | Adapter-Carb. |
| 5. | 952030150 | Spark Plug (RCJ-7Y) | 31. | 530037872 | Intake Plate-Carb |
| 6. | 530039143 | Module-Ignition | 32. | 530019172 | Gasket-Carb. |
| 7. | 545121901 | Screw | 33. | 530071693 | Kit-Carburetor (WT-657) |
| 8. | 530037467 | Assy-Switch Wire | 34. | 530036792 | Isolator |
| 9. | 530037652 | Insulator-Heat | 35. | 530059738 | Filter-Air (Bottom) |
| 10. | 530071495 | Kit-Muffler (Incl.11,13,14,15,16,17,18) | 36. | 530015970 | Screw |
| 11. | 530071497 | Kit-Spark Arrestor (Incl.# 15) | 37. | 545057701 | Filter-Air (Top) |
| 12. | 530016359 | Nut-Brass | 38. | 530015899 | Screw |
| 13. | 530056061 | Cover-Bolt | 39. | 530069247 | Kit-Fuel Line (Small) |
| 14. | 530016338 | Bolt-Muffler | 40. | 545038502 | Assy-Fuel Pick-up |
| 15. | 530016351 | Screw-Spark Screen | | | |
| 16. | 530055128 | Gasket-Muffler | | | Not Shown |
| 17. | 530055765 | Assy-Muffler Backplate | | | |
| 18. | 530055402 | Backplate - Alum. | | | |
| 19. | 530032117 | Bearing-Piston Pin | | 530165058 | Manual (W/standard bar) |
| 20. | 530056363 | Assy-Bearing & Seal | | 545186801 | Manual (W/Quick adjust bar) |
| 21. | 530049794 | Cap-Crankcase | | 545123750 | Manual (Non-CE1) |
| 22. | 530015897 | Screw | | 545123749 | Manual (Non-CE Russia) |
| 23. | 530029794 | Assy-C'shaft & Rod | | 530031135 | Scrench |
| 24. | 530015697 | Retainer-Piston Pin | | 545038901 | Decal - Warning (Russia) |
| 25. | 530037380 | Ring-Piston | | 545056701 | Decal - Warning / Inst. |
| 26. | 530069548 | Kit-Piston (Incl. 19,24,25) | | | |

✓ = NEW PART NUMBER FOR THIS IPL ★ = REFER TO THE SERVICE REFERENCE INDICATED FOR MORE INFORMATION. (LOCATED AT END OF IPL)
● = THESE PARTS ARE ILLUSTRATED FOR CLARITY. ORDER COMPLETE ASSEMBLY.



| Ref. | Part No. | Description | Ref. | Part No. | Description | Ref. | Part No. | Description |
|------|-----------|---|------|-----------|---|-----------|-----------|----------------------------------|
| 1. | 530053443 | Choke Lever | 27. | 530016071 | Nut | 52. | 530015907 | Thrust Washer |
| 2. | 530036098 | Throttle Lockout | 28. | 530047667 | Baffle Plate | 53. | 530032119 | Clutch Bearing |
| 3. | 530036097 | Throttle Trigger | 29. | 530016080 | Screw | 54. | 530015917 | Bar Mounting Nut |
| 4. | 530036491 | Handle Cover | 30. | 530049797 | Starter Handle | 55. | 530054804 | Assy-Chainbrake |
| 5. | 530015957 | Screw | 31. | 530069232 | Rope Kit | 56. | 530038593 | Retainer-Bar Adjust |
| 6. | 530015937 | Screw | 32. | 530015892 | Screw | 57. | 530015826 | Bar Adjusting Pin |
| 7. | 530038985 | Spring - Isolator | 33. | 530047743 | Fan Hsg. Ass'y. Kit (Incl. 28) | 58. | 530069611 | Kit - Bar Adjust (incl.56,57) |
| 8. | 530036130 | Rear Pro Handle | 34. | 530015891 | Recoil Spring | 59. | ***** | Bar |
| 9. | 530015906 | Screw | 35. | 530069313 | Kit - Starter Pulley | 952044577 | | 16" Standard |
| 10. | 530038986 | Isolator Spring | 36. | 530015920 | Screw | 952044375 | | 18" Standard |
| 11. | 530038471 | Throttle Cable | 37. | 530023817 | Spring - Starter Dog | 952044377 | | 20" Standard |
| 12. | 530014949 | Clutch Ass'y. | 38. | 530010846 | Oil Cap Ass'y. | 952044815 | | 20" Quick Adjust |
| 13. | 530015611 | Clutch Washer | 39. | 530014381 | Assy. - Spike (incl.8) | 60. | ***** | Chain |
| 14. | 530069342 | Kit - Clutch Drum & Bearing (incl. 53) | 40. | 530015805 | Screw | 952051301 | | 16" (66/.325-.050") |
| 15. | 530015896 | Screw | 41. | 530015877 | Bar Bolt | 952051313 | | 18" (72/.325-.050") |
| 16. | 530029835 | Oil Pump Hsg. | 42. | 530029850 | Chain Catcher | 952051310 | | 20" (78/.325-050") |
| 17. | 530029833 | Oil Pump Worm | 43. | 530015906 | Screw | 61. | 530047855 | Bar Plate |
| 18. | 530069572 | Switch Kit | 44. | 530016037 | Screw | 62. | 530015814 | Screw |
| 19. | 530010845 | Fuel Cap Ass'y. | 45. | 530019174 | Oil Seal | 63. | 530038327 | Handle |
| 20. | 530037551 | Chassis Ass'y. | 46. | 530030189 | Plug-Oiler Filter | 64. | 530015775 | Screw |
| 21. | 530015922 | Speed Nut | 47. | 530037821 | Oil Filter | 65. | 530036113 | Front Strap |
| 22. | 530026119 | Check Valve | 48. | 530037057 | Oil Pick-up | 66. | 530036101 | Isolator Plate |
| 23. | 530029868 | Vent Plug | 49. | 530029834 | Oil Pump Barrel | 67. | 530036142 | Spring Sleeve |
| 24. | 530036043 | Bar Stud Plate | 50. | 530029838 | Plunger & Gear Ass'y. | 68. | 530015123 | Washer |
| 25. | 530039147 | Flywheel Ass'y. | 51. | 530014410 | Oil Pump Ass'y. (Incl. 16, 49, & 50) | 69. | 530038985 | Isolator spring |
| 26. | 530015127 | Washer | | | | 70. | 530015984 | Screw |

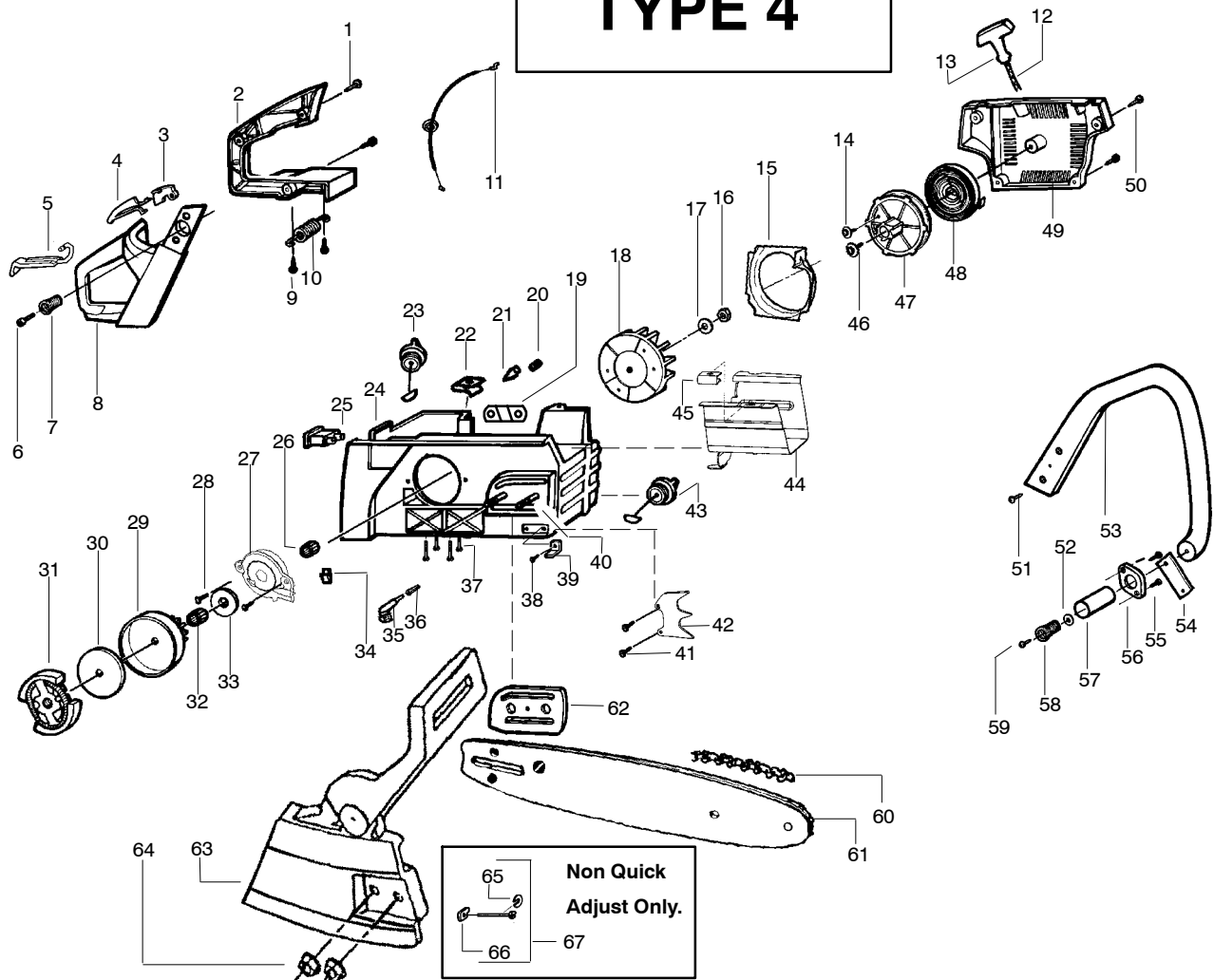
TYPE 3



| Ref. | Part No. | Description | Ref. | Part No. | Description | Ref. | Part No. | Description |
|------|-----------|--|------|-----------|---------------------------------------|------|-----------|-------------------------------------|
| 1. | 530015957 | Screw | 27. | 530029835 | Hsg.-Oil Pump | 53. | 530047743 | Housing-Fan (incl#15) |
| 2. | 530036491 | Cover-Handle | 28. | 530015896 | Screw | 54. | 530015892 | Screw |
| 3. | 530036097 | Trigger-Throttle | 29. | 530069342 | Kit-Clutch Drum (Incl. #33) | 55. | 530015814 | Screw |
| 4. | 530036098 | Lockout-Throttle | 30. | 530015611 | Washer-Clutch | 56. | 530015123 | Washer |
| 5. | 530053443 | Lever-Choke | 31. | 530014949 | Assy-Clutch | 57. | 530038327 | Handle-Front |
| 6. | 530015937 | Screw | 32. | 530032119 | Bearing-Clutch | 58. | 530036113 | Front Strap-AV |
| 7. | 530038985 | Spring-Isolator | 33. | 530015907 | Washer-Thrust | 59. | 530015775 | Screw-Plate |
| 8. | 530036130 | Handle-Rear | 34. | 530029838 | Assy-Plunger/Gear | 60. | 530036101 | Plate-Isolator |
| 9. | 530015906 | Screw | 35. | 530029834 | Barrel-Oil Pump | 61. | 530036142 | Spring Sleeve-AV |
| 10. | 530038986 | Spring-Isolator | 36. | 530014410 | Assy-Oil Pump (Incl. 28, 35, & 36) | 62. | 530038985 | Spring-Isolator |
| 11. | 530038471 | Assy-Throttle Cable (Incl. Grommet) | 37. | 530019174 | Seal-Oil | 63. | 530015984 | Screw |
| 12. | 530069232 | Kit-Rope | 38. | 530037057 | Pickup-Oil | 64. | --- | Chain" |
| 13. | 530049797 | Handle-Starter | 39. | 530037821 | Filter-Oil | 65. | 952051301 | 16" |
| 14. | 530016080 | Screw | 40. | 530030189 | Plug-Oil Filter | | 952051310 | 20" |
| 15. | 530047667 | Plate-Baffle Fan | 41. | 530016037 | Screw | | --- | Bar |
| 16. | 530016071 | Nut-Flywheel | 42. | 530015814 | Screw | | 952044577 | 16" Standard |
| 17. | 530015127 | Washer-Flywheel | 43. | 530029850 | Chain Catcher | | 952044815 | 20" Quick Adjust |
| 18. | 530039147 | Assy-Flywheel | 44. | 530015877 | Bar Bolt | | 530044868 | 20" Pro Lam Quick Adj. |
| 19. | 530036043 | Plate-Support (Bar Stud) | 45. | 530015805 | Screw | 66. | 530047855 | Bar Plate |
| 20. | 530029868 | Plug-Vent | 46. | 530014381 | Kit-Spike Assy (incl#45) | 67. | ---- | Assy-ChainBrake (w/Standard Bar) |
| 21. | 530026119 | Valve-Check | 47. | 530010846 | Assy-Oil Cap | | 530054804 | (w/Quick Adjust Bar) |
| 22. | 530015922 | Nut-Speed | 48. | 530055406 | Shield-Heat | 68. | 530015917 | Nut-Bar Mounting |
| 23. | 530010845 | Assy-Fuel Cap | 49. | 530055322 | Clip-"U" | 69. | 530038593 | Retainer |
| 24. | 530037551 | Assy-Chassis | 50. | 530015920 | Screw | 70. | 530015826 | Pin-Bar Adjust |
| 25. | 530069572 | Kit-Switch | 51. | 530069313 | Kit-Starter Pulley | 71. | 530069611 | Kit-Bar Adjust (incl. 69,70) |
| 26. | 530029833 | Worm-Oil Pump | 52. | 530015891 | Spring-Recoil | | | |

✓ = NEW PART NUMBER FOR THIS IPL * = REFER TO THE SERVICE REFERENCE INDICATED FOR MORE INFORMATION. (LOCATED AT END OF IPL)

TYPE 4



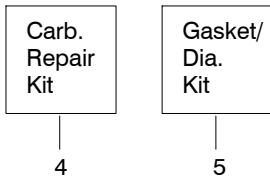
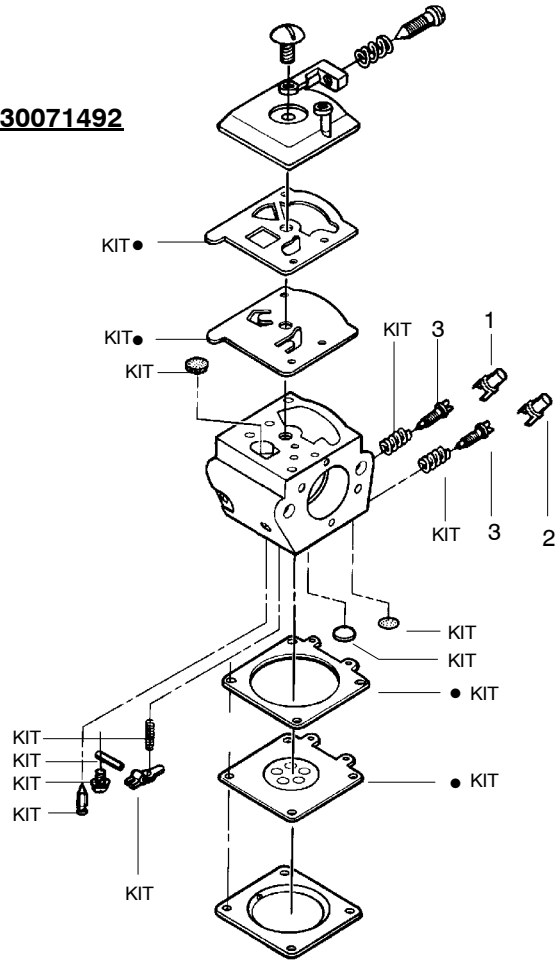
| Ref. | Part No. | Description | Ref. | Part No. | Description | Ref. | Part No. | Description |
|------|-----------|--|------|-----------|--------------------------------|------|-----------|-------------------------------------|
| 1. | 530015957 | Screw | 27. | 530014410 | Assy-Oil Pump | 52. | 530015158 | Washer |
| 2. | 530071272 | Cover-Handle | 28. | 530015896 | Screw | 53. | 530038327 | Handle-Front |
| 3. | 530036097 | Trigger-Throttle | 29. | 530069342 | Kit-Clutch Drum (Incl. #32) | 54. | 530036113 | Front Strap-AV |
| 4. | 530036098 | Lockout-Throttle | 30. | 530015611 | Washer-Clutch | 55. | 530015775 | Screw-Plate |
| 5. | 530053443 | Lever-Choke | 31. | 530014949 | Assy-Clutch | 56. | 530036101 | Plate-Isolator |
| 6. | 530015937 | Screw | 32. | 530032119 | Bearing-Clutch | 57. | 530036142 | Spring Sleeve-AV |
| 7. | 530038985 | Spring-Isolator | 33. | 530015907 | Washer-Thrust | 58. | 530038985 | Spring-Isolator |
| 8. | 530071272 | Handle-Rear | 34. | 530019174 | Seal-Oil | 59. | 530015984 | Screw |
| 9. | 530015906 | Screw | 35. | 545047801 | Pickup-Oil | 60. | --- | Chain" |
| 10. | 530038986 | Spring-Isolator | 36. | 530056533 | Filter-Oil | | 952051301 | 16" |
| 11. | 530038471 | Assy-Throttle Cable (Incl. Grommet) | 37. | 530016037 | Screw | | 952051310 | 20" |
| 12. | 530069232 | Kit-Rope | 38. | 530015814 | Screw | 61. | --- | Bar |
| 13. | 530049797 | Handle-Starter | 39. | 530029850 | Chain Catcher | | 952044577 | 16" Standard |
| 14. | 530016080 | Screw | 40. | 530015877 | Bar Bolt | | 952044815 | 20" Quick Adjust |
| 15. | 530047667 | Plate-Baffle Fan | 41. | 530016439 | Screw | | 530044868 | 20" Pro Lam Quick Adj. |
| 16. | 530016071 | Nut-Flywheel | 42. | 530014381 | Kit-Spike Assy(incl. 41) | 62. | 530047855 | Bar Plate |
| 17. | 530015127 | Washer-Flywheel | 43. | 530010846 | Assy-Oil Cap | 63. | ---- | Assy-ChainBrake (w/Standard Bar) |
| 18. | 530039147 | Assy-Flywheel | 44. | 530055406 | Shield-Heat | | 530054804 | (w/Quick Adjust Bar) |
| 19. | 530036043 | Plate-Support (Bar Stud) | 45. | 530055322 | Clip-"U" | 64. | 530015917 | Nut-Bar Mounting |
| 20. | 530029868 | Plug-Vent | 46. | 530015920 | Screw | 65. | 530038593 | Retainer |
| 21. | 530026119 | Valve-Check | 47. | 530069313 | Kit-Starter Pulley | 66. | 530015826 | Pin-Bar Adjust |
| 22. | 530015922 | Nut-Speed | 48. | 530015891 | Spring-Recoil | 67. | 530069611 | Kit-Bar Adjust (incl. 65,66) |
| 23. | 530010845 | Assy-Fuel Cap | 49. | 530047666 | Housing-Fan (incl. 15) | | | |
| 24. | 530037551 | Assy-Chassis | 50. | 530015892 | Screw | | | |
| 25. | 530069572 | Kit-Switch | 51. | 530015814 | Screw | | | |
| 26. | 530029833 | Worm-Oil Pump | | | | | | |

✓ = NEW PART NUMBER FOR THIS IPL

* = REFER TO THE SERVICE REFERENCE INDICATED FOR MORE INFORMATION. (LOCATED AT END OF IPL)

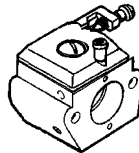
Carburetor Assembly – WT529 – #530071345

Carburetor Assembly – WT610 – #530071492



| Ref. | Part No. | Description |
|------|-----------|---|
| 1. | 530038479 | Limiters Cap – High (Brown) |
| 2. | 530038478 | Limiters Cap – Low (Tan) |
| 3. | 530035523 | Needle – High/Low Speed |
| 4. | 530069825 | Carburetor Repair Kit (KIT = Indicates Contents) |
| 5. | 530069844 | Gasket Diaphragm Kit (● Indicates Contents) |

Kit - Carburetor Assembly No. 530071693 - WT-657

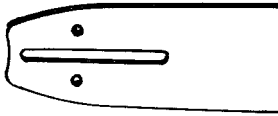


Note: No Repair kits are available for this carburetor, please order the complete assembly part number 530-071693 - WT-657

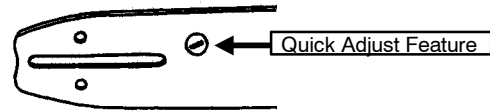
| | | | |
|-----------------------------|----------------------------------|------------------------------|--|
| PARTS LIST NO. 530088792 | | Poulan PRO PARTS LIST | Chain Saw Model(s): Poulan Pro 295 |
| DATE 07/03/08 | Replaces 530083829 - 06/20/08 | | Note: Illustration may differ from actual model due to design changes |

***** **Service Reference** *****

Standard Guide Bar



Quick Adjust Guide Bar



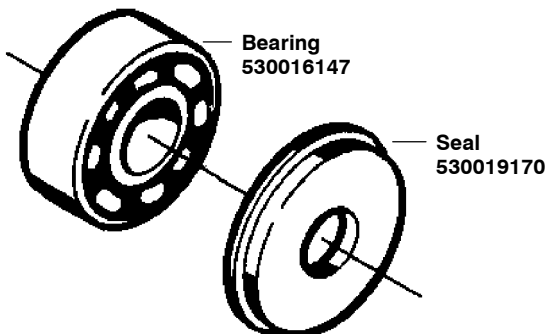
***** **Service Reference** *****

When ordering a new carburetor assembly, please refer to the model number listed on the carburetor (such as, WT-529) and order accordingly.

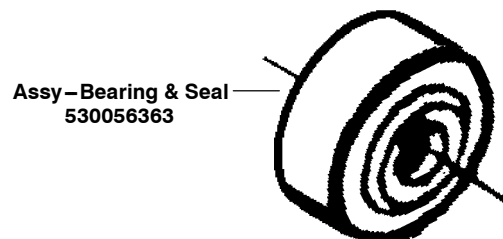
***** **Service Reference** *****

If your saw has the separate bearing and seal please order both the 530016147 bearing and the 530019170 seal. If your saw has the one piece bearing/seal assembly please order the 530056363 bearing/seal assy.
(Please Note : The different styles will not interchange.)

TWO PIECE STYLE



ONE PIECE STYLE



✓ = NEW PART NUMBER FOR THIS IPL * = REFER TO THE SERVICE REFERENCE INDICATED FOR MORE INFORMATION. (LOCATED AT END OF IPL)
 ● = THESE PARTS ARE ILLUSTRATED FOR CLARITY. ORDER COMPLETE ASSEMBLY.