

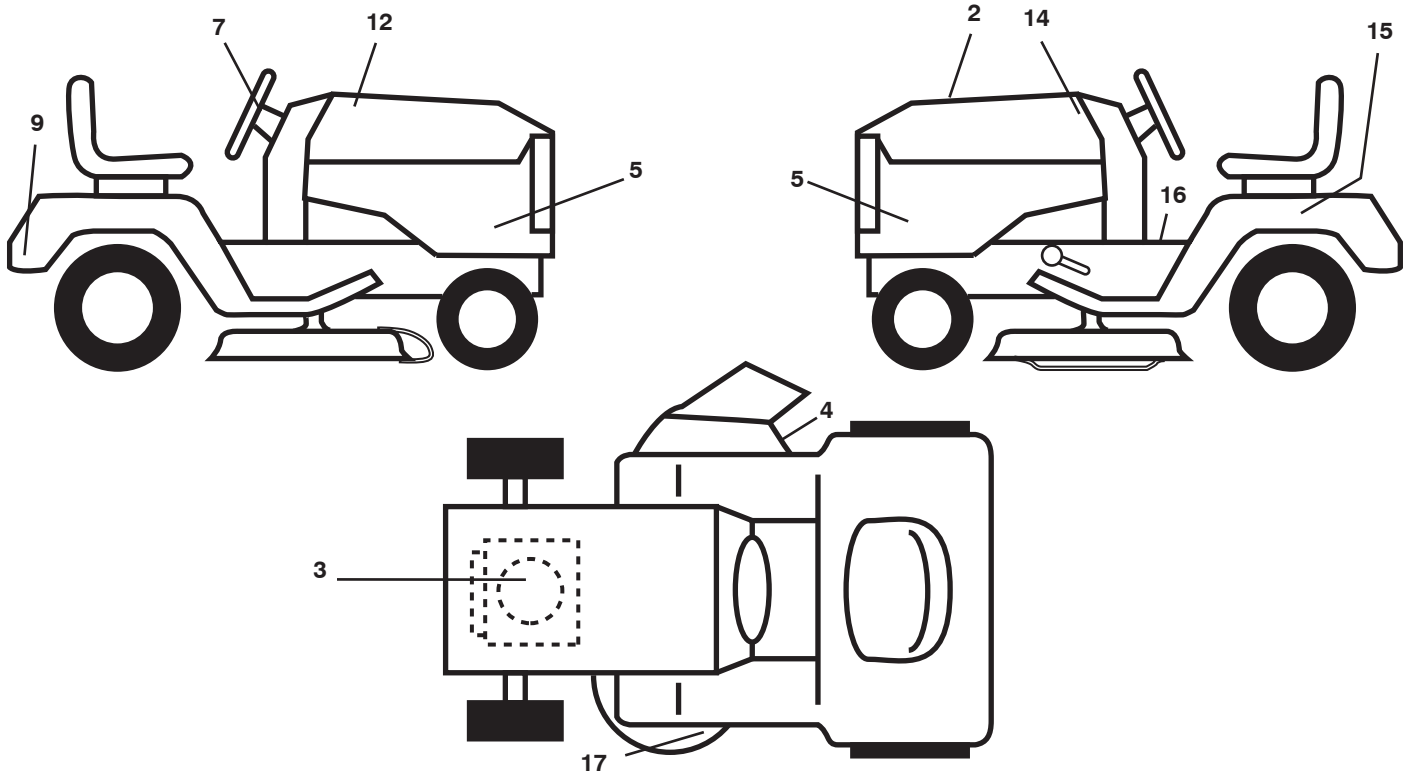
ILLUSTRATED PARTS LIST

MODEL NO. 96012006806

CUSTOMER CATALOG NO. PO15538LT

PRODUCT NO. 960 12 00-68

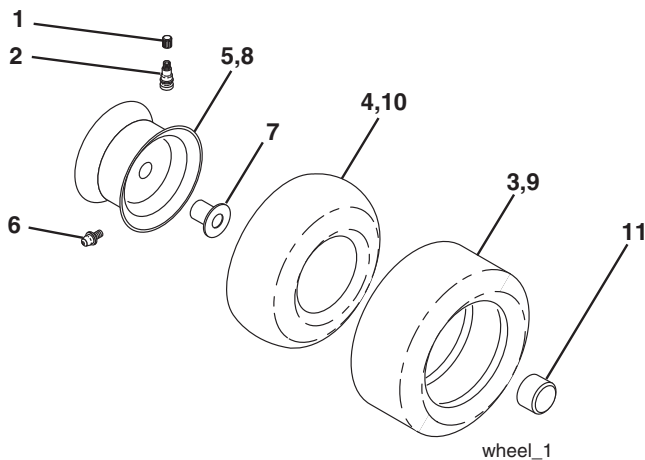
**TRACTOR - - MODEL NUMBER PO15538LT (96012006806), PRODUCT NO. 960 12 00-68
DECALS**



KEY NO.	PART NO.	DESCRIPTION
2	196744	Decal, Replacement
3	408817	Decal, Engine HP
4	170563	Decal, Warning
5	188979	Decal, SDPNL
7	189705	Decal, Ins Str Wh
9	158166	Decal, Fender
12	194543	Decal, Hood RH

KEY NO.	PART NO.	DESCRIPTION
14	194544	Decal, Hood LH
15	145005	Decal, Caution, Battery
16	411658	Decal, Fender Warning Eng/Fr
17	194302	Decal, V-Belt Sch.
--	138311	Decal, Handle Lft Height Adj.
--	411137	Manual, Operator's E&F
--	423351	Manual, Parts E&F

WHEELS & TIRES

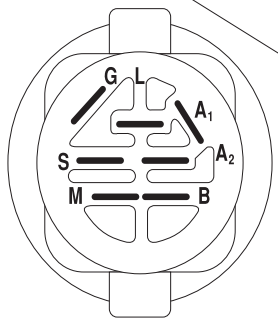
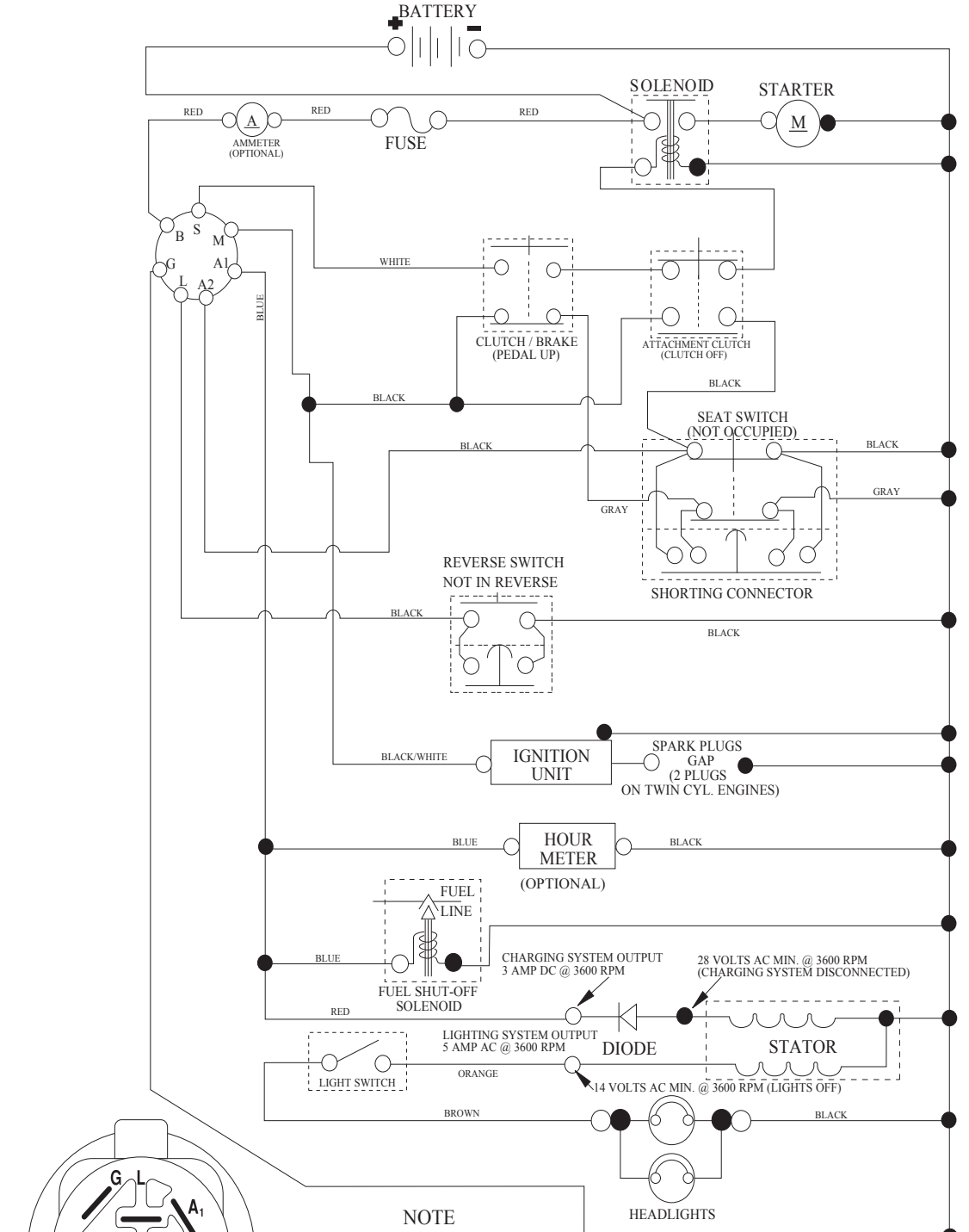


KEY NO.	PART NO.	DESCRIPTION
1	59192	Cap, Tire valve
2	65139	Stem, Valve
3	124157X	Tire, Front
4	59904	Tube, Front (Service item only)
5	106732X624	Rim Assembly, 6" Front
6	278H	Fitting, Grease (Front wheel only)
7	9040H	Bearing, Flange (Front wheel only)
8	106108X624	Rim Assembly, 8" Rear
9	123969X	Tire, Rear
10	7152J	Tube, Rear (Service item only)
11	104757X428	Cap, Hub Axle
--	144334	Sealant, Tire (10 oz. Tube)

NOTE: All component dimensions given in U.S. inches
1 inch = 25.4 mm

TRACTOR - - MODEL NUMBER PO15538LT (96012006806), PRODUCT NO. 960 12 00-68 SCHEMATIC

SCH03



IGNITION SWITCH

POSITION	CIRCUIT	"MAKE"
OFF	M+G+A1	
RUN/OVERRIDE	B+A1	
RUN	B+A1	L+A2
START	B + S + A1	

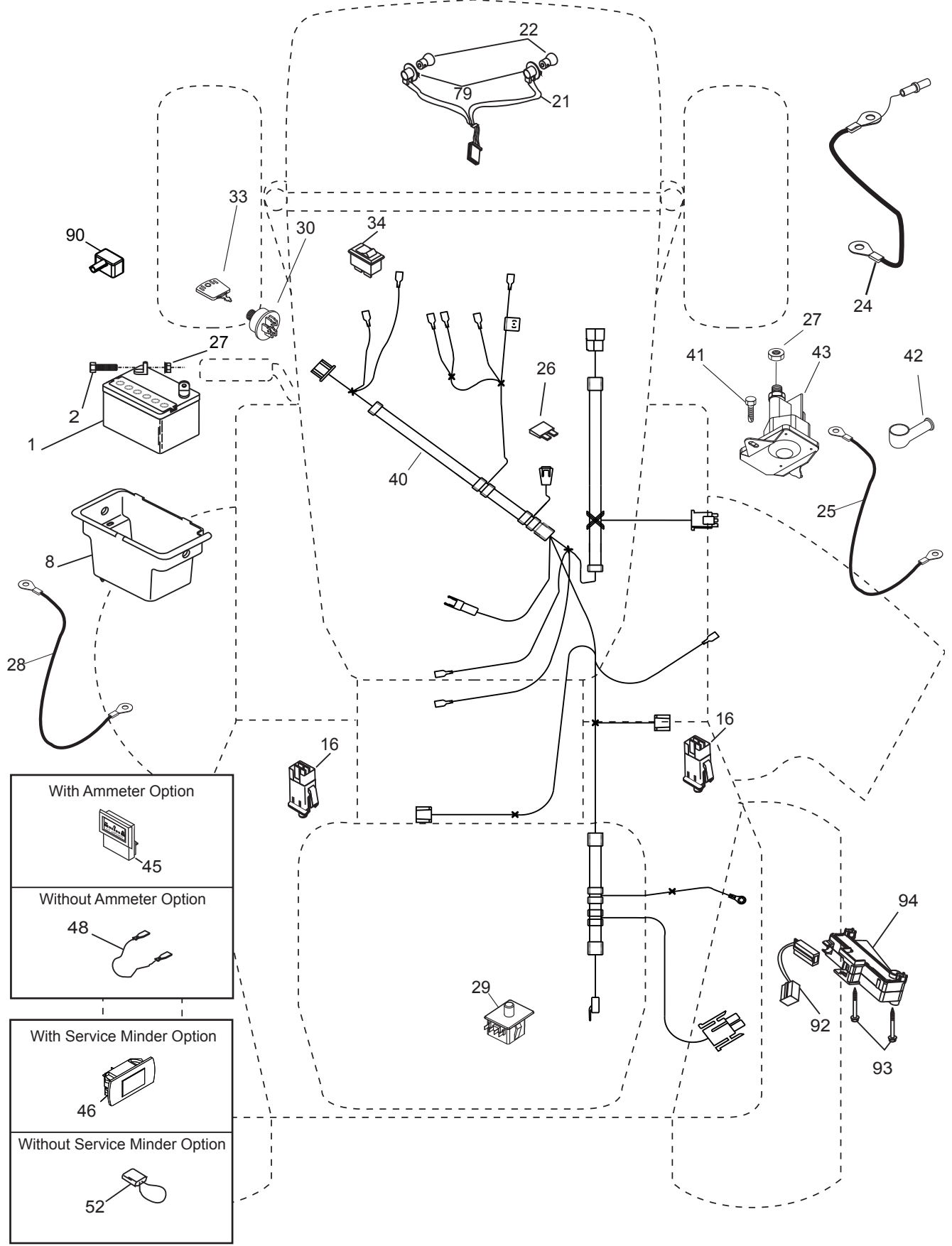
NOTE
YOUR TRACTOR IS EQUIPPED WITH A SPECIAL ALTERNATOR SYSTEM. THE LIGHTS ARE NOT CONNECTED TO THE BATTERY, BUT HAVE THEIR OWN ELECTRICAL SOURCE. BECAUSE OF THIS, THE BRIGHTNESS OF THE LIGHTS WILL CHANGE WITH ENGINE SPEED. AT IDLE THE LIGHTS WILL DIM. AS THE ENGINE IS SPEEDED UP, THE LIGHTS WILL BECOME THEIR BRIGHTEST.



WIRING INSULATED CLIPS
NOTE: IF WIRING INSULATED CLIPS WERE REMOVED FOR SERVICING OF UNIT, THEY SHOULD BE RE-INSTALLED TO PROPERLY SECURE YOUR WIRING.

**TRACTOR - - MODEL NUMBER PO15538LT (96012006806), PRODUCT NO. 960 12 00-68
ELECTRICAL**

L02

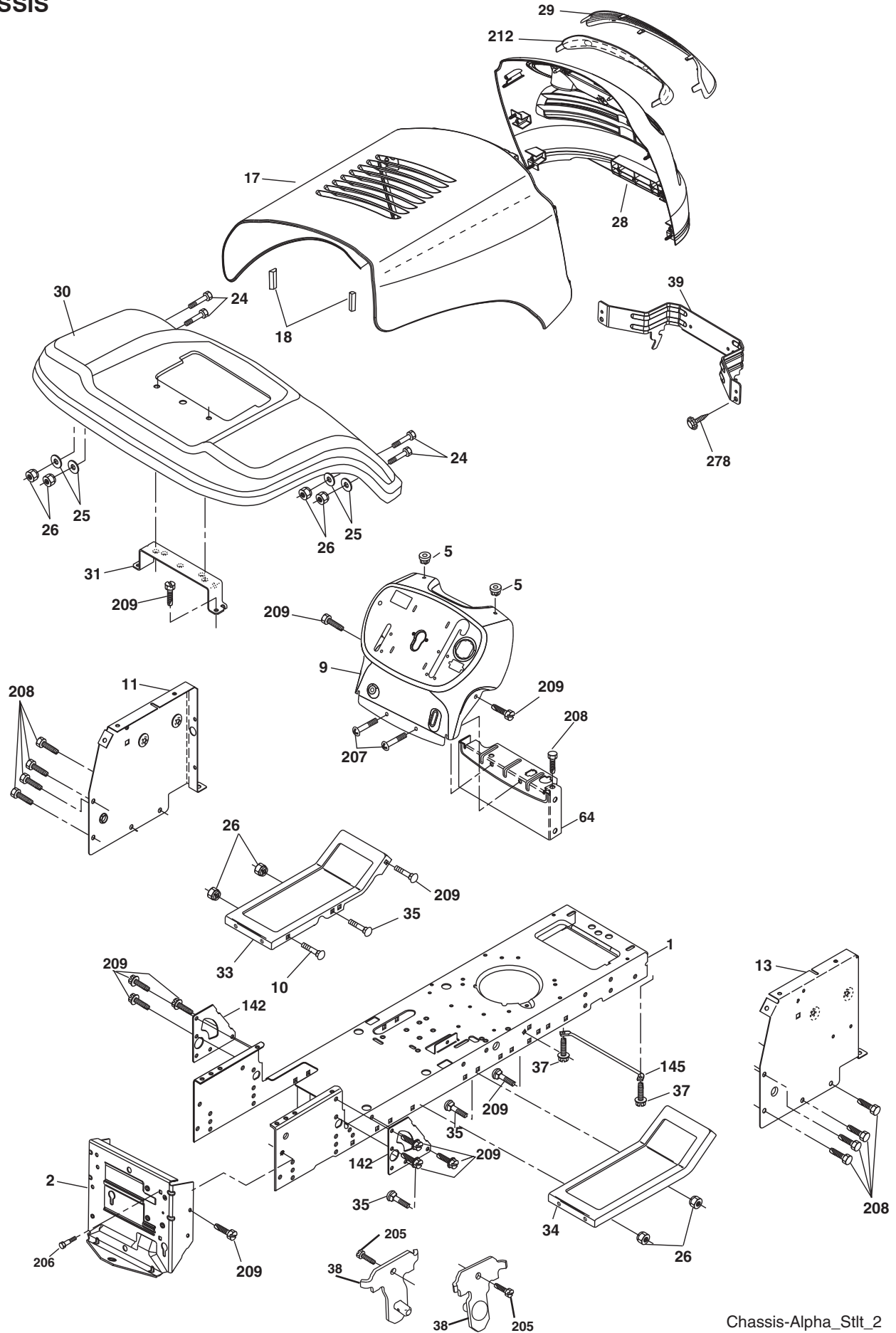


**TRACTOR - - MODEL NUMBER PO15538LT (96012006806), PRODUCT NO. 960 12 00-68
ELECTRICAL**

KEY NO.	PART NO.	DESCRIPTION
1	163465	Battery
2	74760412	Bolt Hex Hd 1/4-20 unc x 3/4
8	176689	Box Battery
16	176138	Switch Interlock
21	175688	Harness Asm Light w/4152j
22	4152J	Bulb Light #1156
24	421299	Cable Battery 6 Ga. 11" Red
25	421997	Cable Battery
26	175158	Fuse 20 AMP
27	73510400	Nut Keps Hex 1/4-20 unc
28	421298	Cable Ground 6 Ga. 12" Black
29	192749	Switch
30	193350	Switch Ign
33	411935	Key/Chain
34	110712X	Switch Light/Reset
40	197428	Harness Ign
41	71110408	Bolt Blk Fin Hex 1/4-20
42	131563	Cover Terminal Red
43	192507	Solenoid
48	140844	Adapter Ammeter
52	141940	Protection Wire Loop
79	175242	Socket Asm. Bulb
90	180449	Cover Terminal Battery
92	196615	Harness Pigtail
93	192540	Screw Plastite 10-14 x 2.0
94	191834	Module Reverse

NOTE: All component dimensions given in U. S. inches 1 inch = 25.4 mm.

**TRACTOR - - MODEL NUMBER PO15538LT (96012006806), PRODUCT NO. 960 12 00-68
CHASSIS**



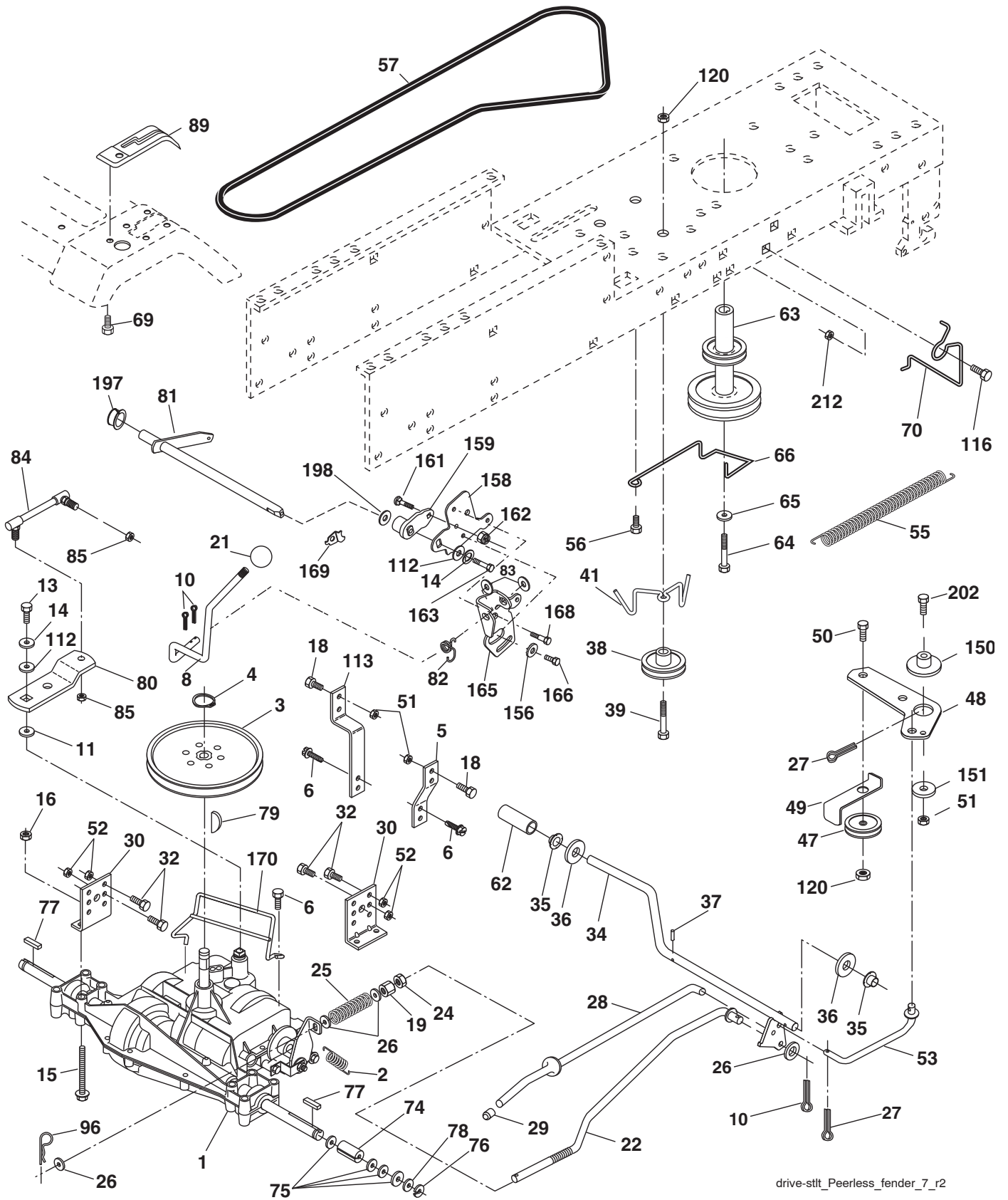
Chassis-Alpha_Stlt_2

**TRACTOR - - MODEL NUMBER PO15538LT (96012006806), PRODUCT NO. 960 12 00-68
CHASSIS**

KEY NO.	PART NO.	DESCRIPTION
1	174619	Chassis
2	176554	Drawbar, Stretch
5	155272	Bumper, Hood/Dash
9	428394X010	Dash
10	72140608	Bolt, Carriage 3/8-16 x 1
11	174996	Panel Dash LH
13	172105X010	Panel Silscr Dash RH
17	187559X428	Hood
18	184921	Bumper Hood
24	74780616	Bolt Fin Hex 3/8-16 unc x 1 Gr. 5
25	19131312	Washer 13/32 x 13/16 x 12 Ga.
26	73800600	Nut Lock Hex w/Ins 3/8-16 unc
28	187598	Grille/Lens Asm (Include Key nos. 29 and 212)
29	187567X599	Lens Grille Basic Bar
30	192526X428	Fender
31	136619	Bracket Fender Repl 109873X
33	179716X428	Footrest Pnt LH
34	179717X428	Footrest Pnt RH
35	72110606	Bolt Rdhd Sht Sqnk 3/8-16 x 3/4
37	17490508	Screw Thdrol 5/16-18 x 1/2 TYT
38	175710	Bracket Asm. Pivot Mower
39	187568	Bracket Pivot
64	154798	Dash Lower
142	175702	Plate Reinforcement
145	409167	Rod Pivot Chassis/Hood
205	17490608	Screw Thdrol 3/8-16 x 1/2
206	170165	Bolt Shoulder 5/16-18
207	17670508	Screw Thdrol 5/16-18 x 1/2
208	17670608	Screw Thdrol 3/8-16 x 1/2
209	17000612	Screw Hex Wsh Thdrol 3/8-16
212	187569	Insert Lens Reflect
278	416358	Screw #10 x 0.750 Single Lead-Hex
- -	5479J	Plug Button Blk 359 Dia Choke
- -	187801	Plug Dome Plastic

NOTE: All component dimensions given in U.S. inches
1 inch = 25.4 mm.

**TRACTOR - - MODEL NUMBER PO15538LT (96012006806), PRODUCT NO. 960 12 00-68
DRIVE**



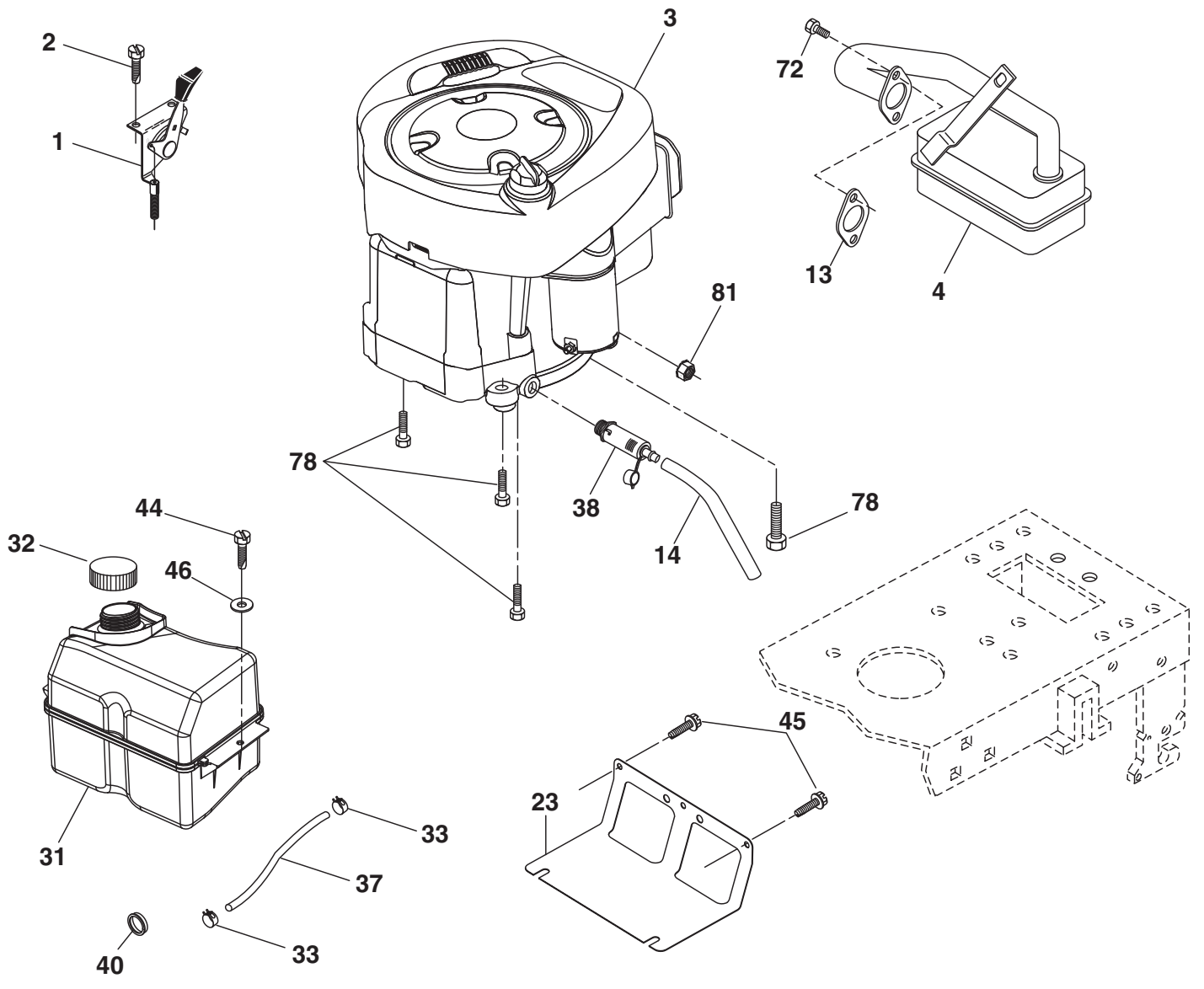
drive-sttt_Peerless_fender_7_r2

**TRACTOR - - MODEL NUMBER PO15538LT (96012006806), PRODUCT NO. 960 12 00-68
DRIVE**

KEY NO.	PART NO.	DESCRIPTION	KEY NO.	PART NO.	DESCRIPTION
1	-----	Transaxle Peerless 205-544C (Internal Parts Not Available)	65	10040700	Washer Lock Hvy Hlcl Spr 7/16
2	146682	Spring Return Brake	66	154778	Keeper Belt Engine
3	123666X	Pulley Transaxle 18" Tires	69	142432	Screw 1/4 x 1/2 unc
4	12000028	Ring Retainer # 5100-62	70	134683	Guide Belt Mower Drive RH
5	121520X	Strap Torque 30 Degrees RH	74	137057	Spacer Axle
6	17060512	Screw 5/16-18 x 3/4	75	121749X	Washer 25/32 x 1 1/4 x 16 Ga.
8	192706	Rod Shifter Blk	76	12000001	E-ring #5133-75
10	76020416	Pin Cotter 1/8 x 1 Cad	77	123583X	Key Square 2 0 x 1845/ 1865
11	105701X	Washer Plate Shf 388 Sq Hole	78	121748X	Washer 25/32 x 1-5/8 x 16 Ga.
13	74550412	Bolt 1/4-28 unf Gr. 8 w/Patch	79	2228M	Key Woodruff
14	10040400	Washer Lock Hvy Helical 1/4	80	131486	Arm Shift Transaxle
15	74490544	Bolt Hex Flghd 5/16-18 Gr. 5	81	165594	Shaft Asm Cross Taper
16	73800500	Nut 5/16-18	82	165711	Spring Torsion Shift
18	74780616	Bolt Fin Hex 3/8-16 unc x 1 Gr. 5	83	19171216	Washer 17/32 x 3/4 x 16 Ga.
19	73800600	Nut Lock Hex w/lns 3/8-16 unc	84	166228	Link Transaxle
21	106933X	Knob	85	150360	Nut Lock Center 1/4-28
22	130804	Rod Brake LT	89	192054X428	Console Shift
24	73350600	Nut Hex Jam 3/8-16 unc	96	4497H	Retainer Spring 1"
25	106888X	Spring Rod Brake 2 00 Zinc	112	19091210	Washer 9/32 x 3/4 x 10 Ga.
26	19131316	Washer 13/32 x 13/16 x 16 Ga.	113	127285X	Strap Torque 90 Degrees LH
27	76020412	Pin Cotter 1/8 x 3/4 Cad	116	72140608	Bolt Rdhd Sq Neck 3/8-16 x 1
28	175765	Rod Brake Parking LT/YT	120	73900600	Nut Lock Flg 3/8-16
29	71673	Cap Brake Parking Black	150	175456	Spacer Retainer Lt
30	174973	Bracket Transmission	151	19133210	Washer 13/32 x 2 x 10 Ga.
32	74760512	Bolt Fin Hex 5/16-18 x 3/4	156	166002	Washer Srrrtd 5/16 ID x 1.0 x .125
34	175578	Shaft Asm Pedal Foot Nibbed	158	165589	Bracket Shift Mount
35	120183X	Bearing Nylon Blk 629 Id	159	183900	Hub Shift
36	19211616	Washer 21/32 x 1 x 16 Ga.	161	72140406	Bolt 1/4-20 x 3/4 Gr. 5
37	1572H	Pin Roll 3/16 x 1"	162	73680400	Nut Crownlock 1/4-20 unc
38	179114	Pulley Composite Flat	163	74780416	Bolt Hex Fin 1/4-20 unc x 1 Gr. 5
39	72110622	Bolt 3/8-16 x 2-3/4	165	165623	Bracket Pivot Lever
41	175556	Keeper Belt Idler	166	17490510	Screw 5/16-18 x 5/8
47	127783	Pulley Idler V Groove Plastic	168	165492	Bolt Shoulder 5/16-18 x .561
48	154407	Bellcrank Clutch Grnd Drv STL	169	165580	Plate Fastening
49	123205X	Retainer Belt Style Spring	170	187414	Keeper, Belt Transaxle
50	72110612	Bolt Carr Sh 3/8-16 x 1-1/2 Gr. 5	197	169613	Nyliner Snap-In 5/8
51	73680600	Nut Crownlock 3/8-16 unc	198	169593	Washer Nylon
52	73680500	Nut Crownlock 5/16-18 unc	202	72110614	Bolt Carr Sh 3/8-16 x 1-3/4 Gr. 5
53	199652	Link Clutch	212	145212	Nut Hex Flg Lock
55	105709X	Spring Return Clutch 6 75			
56	17060620	Screw 3/8-16 x 1-1/4			
57	138255	V-Belt Traction Drive 95.25			
62	8883R	Cover Pedal Blk Round			
63	175410	Engine Pulley LT/YT			
64	173937	Bolt Hex 7/16-20 x 4 Gr. 5			

NOTE: All component dimensions given in U.S. inches
1 inch = 25.4 mm

**TRACTOR - - MODEL NUMBER PO15538LT (96012006806), PRODUCT NO. 960 12 00-68
ENGINE**



OPTIONAL EQUIPMENT
Spark Arrester

engine-stlt_bs_10

**TRACTOR - - MODEL NUMBER PO15538LT (96012006806), PRODUCT NO. 960 12 00-68
ENGINE**

KEY NO.	PART NO.	DESCRIPTION
1	170551	Control Th/ch Flag
2	17720408	Screw Hex Thd Cut 1/4-20 x 1/2
3	-----	Engine, B&S 31A607 (Order parts from engine manufacturer)
4	137352	Muffler Exhaust B&S
13	165291	Gasket Eng 1 313 Id Tin Plated
14	148456	Tube Drain Oil Easy
23	169837	Shield BRN/DBR Guard
29	137180	Kit Spark Arrestor (Flat Scrn)
31	407516	Tank Fuel Front
32	197725	Cap Asm Fuel
33	123487X	Clamp Hose
37	401137	Line Fuel 20"
38	181654	Plug Drain Oil
40	124028X	Bushing Snap
44	17670412	Screw Thdrol 1/4-20 x 3/4
45	17000612	Screw Hex Wsh Thdrol 3/8-16
46	19091416	Washer 9/32 x 7/8 x 16 Ga.
72	192334	Screw Socket Hd 5/16-18 x .75
78	17060620	Screw 3/8-16 x 1-1/4
81	73510400	Nut Keps Hex 1/4-20 unc

NOTE: All component dimensions given in U.S. inches
1 inch = 25.4 mm

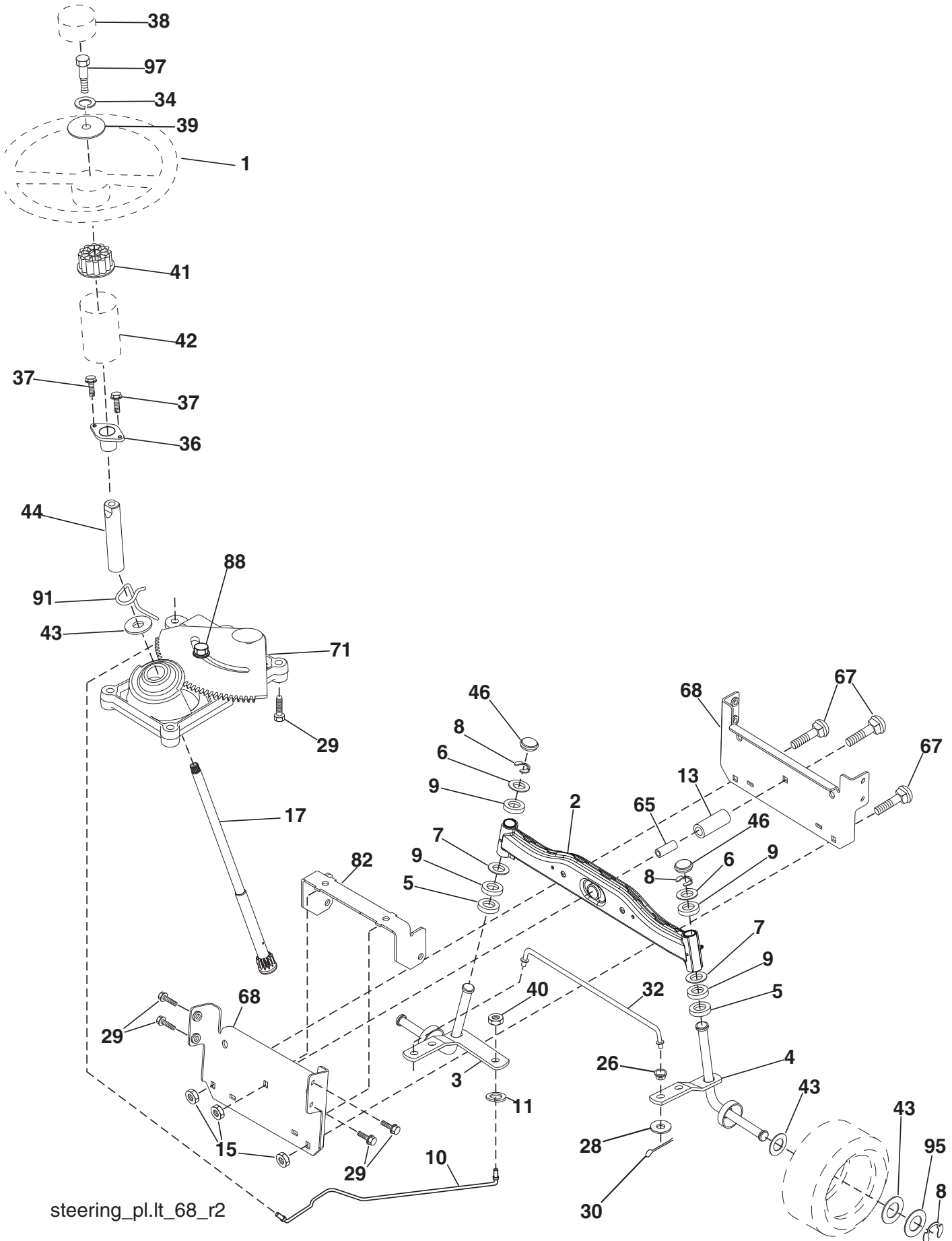
For engine service and replacement parts, call the toll free number for your engine manufacturer listed below:

Briggs & Stratton 1-800-233-3723

Engine Power Rating Information

The gross power rating for individual gas engine models is labeled in accordance with SAE (Society of Automotive Engineers) code J1940 (Small Engine Power & Torque Rating Procedure), and rating performance has been obtained and corrected in accordance with SAE J1995 (Revision 2002-05). Torque values are derived at 3060 RPM; horsepower values are derived at 3600 RPM. Actual gross engine power will be lower and is affected by, among other things, ambient operating conditions and engine-to-engine variability. Given both the wide array of products on which engines are placed and the variety of environmental issues applicable to operating the equipment, the gas engine will not develop the rated gross power when used in a given piece of power equipment (actual "on-site" or net power). This difference is due to a variety of factors including, but not limited to, accessories (air cleaner, exhaust, charging, cooling, carburetor, fuel pump, etc.), application limitations, ambient operating conditions (temperature, humidity, altitude), and engine-to-engine variability. Due to manufacturing and capacity limitations, Briggs & Stratton may substitute an engine of higher rated power for this Series engine.

TRACTOR - - MODEL NUMBER PO15538LT (96012006806), PRODUCT NO. 960 12 00-68
STEERING



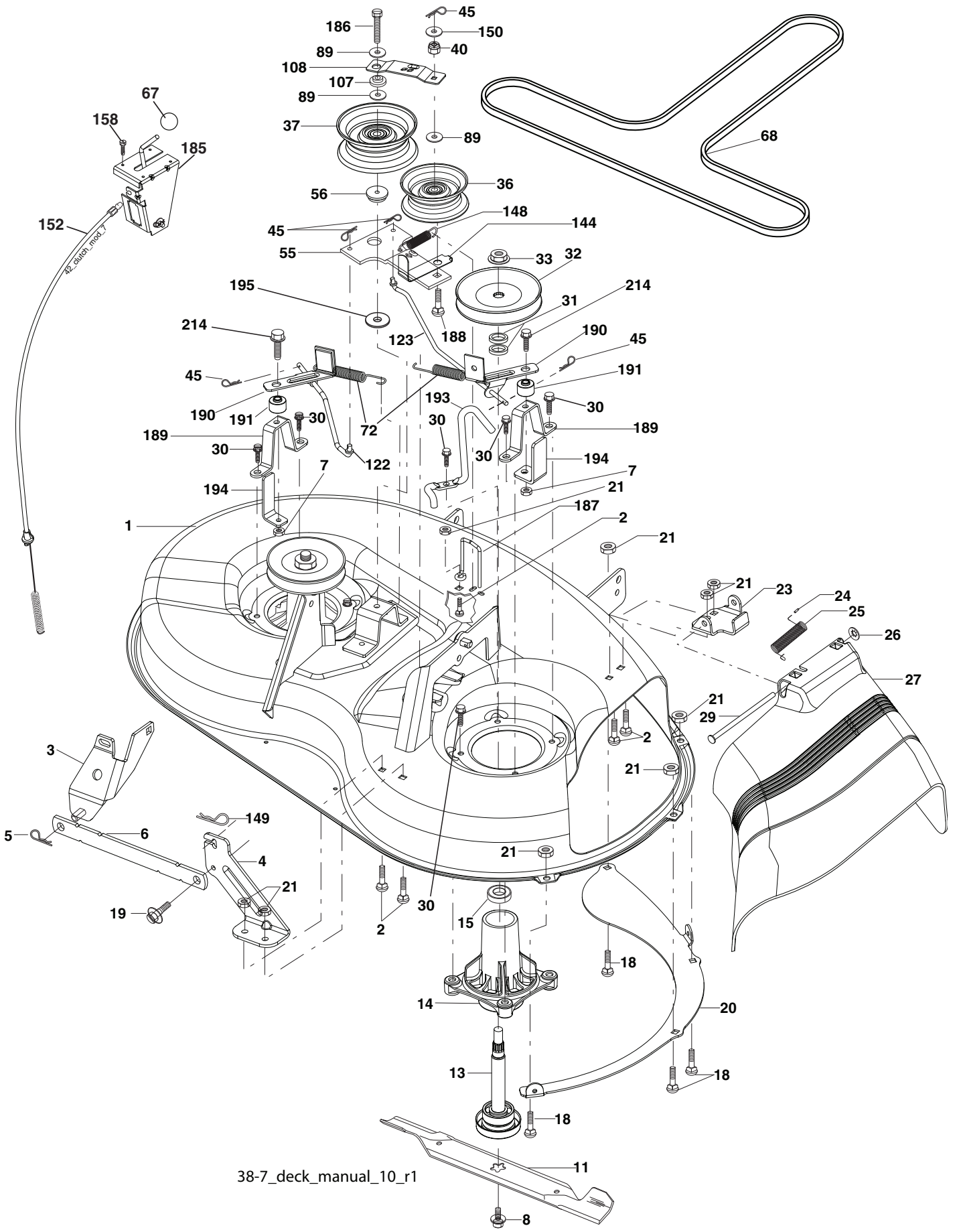
steering_pl.lt_68_r2

**TRACTOR - - MODEL NUMBER PO15538LT (96012006806), PRODUCT NO. 960 12 00-68
STEERING**

KEY NO.	PART NO.	DESCRIPTION
1	186780	Wheel Steering
2	418168	Axle Asm
3	169840	Spindle Asm LH
4	169839	Spindle Asm RH
5	6266H	Bearing Race Thrust Harden
6	121748X	Washer 25/32 x 1-5/8 x 16 Ga.
7	19272016	Washer 27/32 x 1-1/4 x 16 Ga.
8	12000029	Ring Klip #t5304-75
9	3366R	Bearing Col Strg Blk
10	175121	Link Drag
11	10040600	Washer Lock Hvy Hlcl Spr 3/8
13	136518	Spacer earing Axle Front
15	145212	Hexflange Lock
17	411386	Shaft Asm Strg
26	126847X	Bushing Link Drag Blk LR
28	19131416	Washer 13/32 x 7/8 x 16 Ga.
29	17000612	Screw 3/8-16 x 3/4
30	76020412	Pin Cotter 1/8 x 3/4 Cad
32	192757	Rod Tie Wire Form 19 75 Mech
34	10040500	Washer Lock Hvy Hlcl Spr 5/16
36	155099	Bushing Strg 5/8 Id Dash
37	152927	Screw
38	192916	Cap Wheel Steer Ayp
39	19113812	Washer 11/32 ID x 2-3/8 OD x 12 Ga.
40	73540600	Nut Crownlock 3/8-24
41	186737	Adaptor Wheel Strg
42	145054X428	Boot Dash Mtl Steering Blk
43	121749X	Washer 25/32 x 1 1/4 x 16 Ga.
44	190752	Extension Steering
46	121232X	Cap Spindle Fr Top Blk
65	414736	Spacer Brace Axle
67	72110618	Bolt RDHD SQNK 3/8-16 x 2-1/4
68	169827	Brace Axle
71	175146	Steering Asm.
82	199978	Bracket Susp Chassis Front
88	175118	Bolt Shoulder 7/16-20
91	175553	Clip Steering
95	188967	Washer Harden .793 x 1.637 x 060
97	74780564	Bolt 5/16-18 unc x 4"L Hlcl Spr. 5/16

NOTE: All component dimensions given in U.S. inches
1 inch = 25.4 mm.

TRACTOR - - MODEL NUMBER PO15538LT (96012006806), PRODUCT NO. 960 12 00-68
MOWER DECK



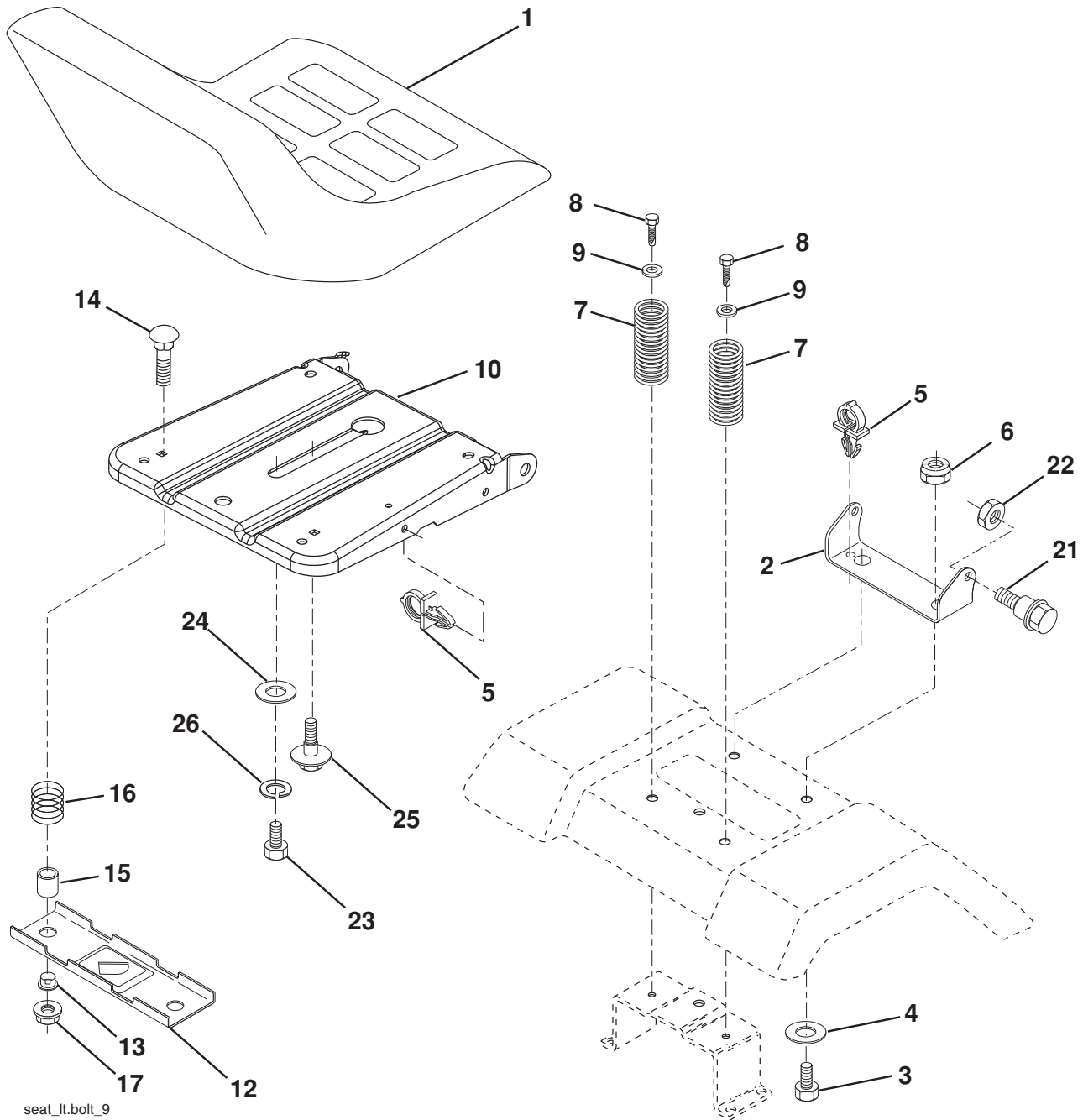
38-7_deck_manual_10_r1

**TRACTOR - - MODEL NUMBER PO15538LT (96012006806), PRODUCT NO. 960 12 00-68
MOWER DECK**

KEY NO.	PART NO.	DESCRIPTION	KEY NO.	PART NO.	DESCRIPTION
1	192556	Mower Housing Assembly	67	106932X	Knob
2	72140506	Bolt Carriage 5/16-18 x 3/4	68	193214	V-Belt
3	138017	Bracket Asm Fr. Sway Bar	72	193216	Spring Brake Return
4	192568	Bracket Deck Sway Bar 38"/42"	89	19131311	Washer 13/32 x 13/16 x 11 Ga.
5	4939M	Retainer Spring	107	133502	Spacer Retainer
6	178024	Bar Sway Deck	108	133503	Stiffener, Idler Arm
7	73800500	Nut Lock 5/16-18 unc	122	410189	Rod, Brake LH
8	193003	Bolt 3/8-24 x 1.25 Gr. 8	123	410190	Rod, Brake RH
11	138497	Blade, 38" Hi-Lift (For bagging or discharge)	144	193414	Keeper Belt Idler Tension
- -	193957	Blade, 38", Mulching (For mulching or discharge)	148	169022	Spring Return Idler
13	192872	Shaft Assembly, Mandrel, Vented (Includes Key Number 6)	149	165898	Retainer Spring Yellow
14	187281	Housing, Mandrel, Vented	150	19091210	Washer 9/32 x 3/4 x 10 Ga.
15	110485X	Bearing, Ball, Mandrel	152	193913	Clutch Cable 38"
18	72140505	Blade Rdhd Sqnk 5/16-18 x 5/8	158	17720408	Screw Hex Thd Cut 1/4-20 x 1/2
19	132827	Bolt, Shoulder	185	188234	Head Asm Cable Clutch
20	400095	Baffle Vortex Front	186	17490644	Screw Hex Wsh Thdrol 3/8-16 x 2-3/4
21	73680500	Nut	187	193412	Keeper Belt M Shape
23	192557	Bracket, Mower Deflector	188	165891	Bolt Carriage Idler
24	105304X	Cap, Sleeve	189	192559	Brake Stand
25	197026	Spring, Torsion, Deflector	190	192560	Brake Arm
26	110452X	Nut, Push	191	192561	Brake Spacer
27	192572X428	Shield, Deflector	193	193413	Keeper Belt Rh Mandrel
29	131491	Rod, Hinge	194	194105	Brake Guard
30	173984	Screw Thdrol.	195	19133210	Washer 13/32 x 2 x 10 Ga.
31	187690	Washer, Spacer	214	193782	Bolt/Washer Asm. 5/16-18
32	153532	Pulley, Mandrel	- -	192558	Brake Assembly
33	400234	Nut, Toplock	- -	192870	Mandrel Assembly (Includes housing, shaft assembly, and bearing only - pulley/nut/washer and blade bolt/washers not included)
36	131494	Pulley, Idler, Flat	- -	193646	Replacement Mower, Complete
37	193198	Pulley, Idler Flat			
40	73680600	Nut, Crownlock 3/8-16 unc			
45	4497H	Retainer			
55	133840	Idler Arm Assembly			
56	165723	Spacer, Retainer			

NOTE: All component dimensions given in U.S. inches
1 inch = 25.4 mm

TRACTOR - - MODEL NUMBER PO15538LT (96012006806), PRODUCT NO. 960 12 00-68 SEAT



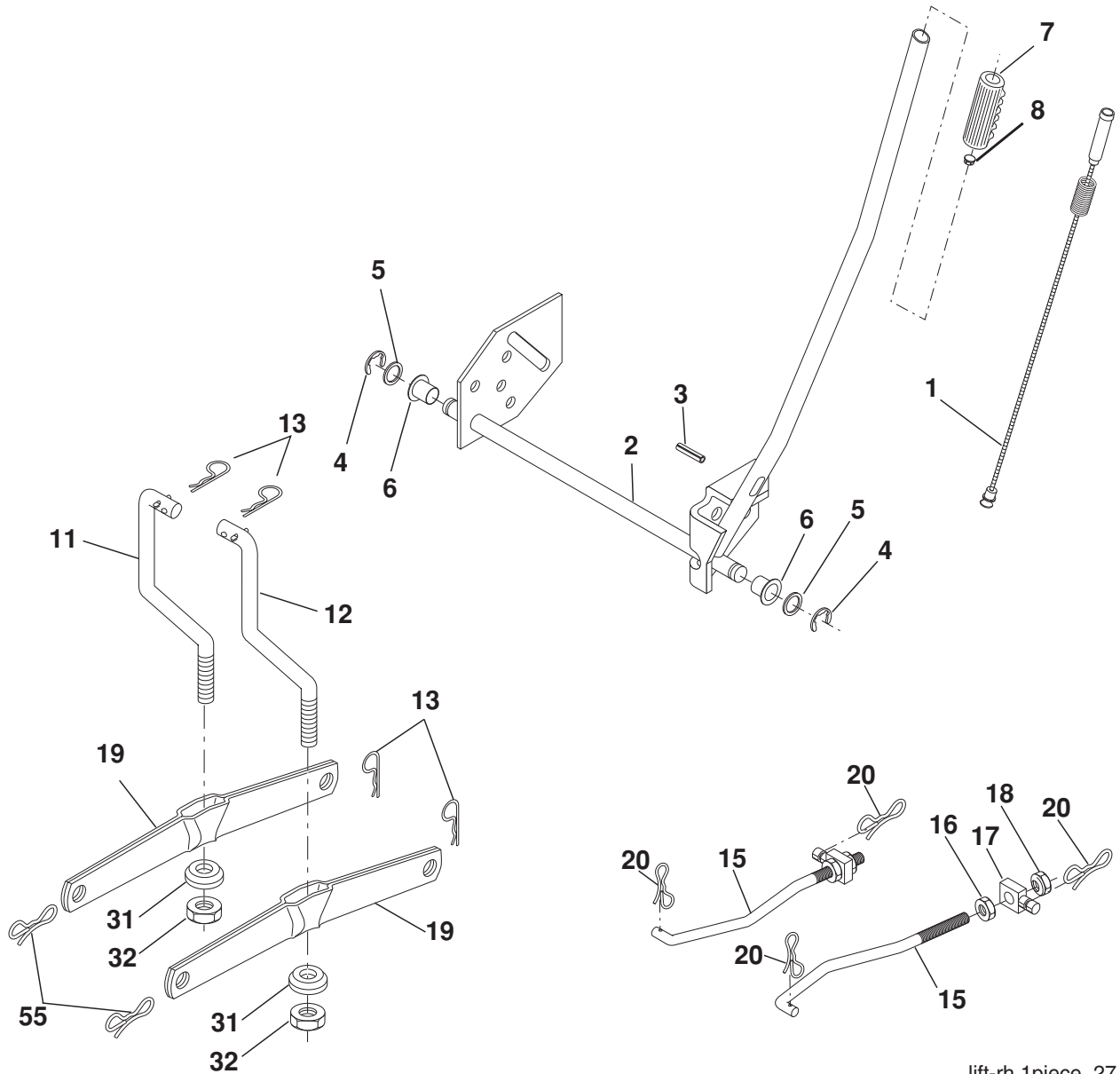
seat_lt.bolt_9

KEY NO.	PART NO.	DESCRIPTION
1	401042	Seat
2	140551	Bracket Seat Pivot
3	71110616	Bolt Hex 3/8-16 x 1
4	19131610	Washer 13/32 x 1 x10 Ga.
5	145006	Clip Push-In Hinged
6	73800600	Nut Lock Hex w/Ins 3/8 - 16
7	124181X	Spring Seat Cprsn 2 250 Blk Zi
8	17000616	Screw 3/8-16 x 1.5
9	19131614	Washer 13/32 x 1 x 14 Ga.
10	195530	Pan Asm. Seat
12	174648	Bracket Pnt Mounting Switch
13	121248X	Bushing Snap Blk Nyl

KEY NO.	PART NO.	DESCRIPTION
14	72050412	Bolt Rdhd Sht Nk 1/4 - 20 x 1 -1/2
15	134300	Spacer Split .28 x .96
16	121250X	Spring Cprsn
17	123976X	Nut Lock 1/4 Lge Flg
21	171852	Bolt Shoulder 5/16-18 unc-2A
22	73800500	Nut Lock Hex w/Ins 5/16 - 18
23	71110814	Bolt Hex
24	19171912	Washer 17/32 x 1-3/16 x 12 Ga.
25	127018X	Bolt Shoulder 5/16-18 x .62
26	10040800	Washer Lock Hvy Hlcl Spr 1/2

NOTE: All component dimensions given in U.S. inches
1 inch = 25.4 mm.

**TRACTOR - - MODEL NUMBER PO15538LT (96012006806), PRODUCT NO. 960 12 00-68
MOWER LIFT**



lift-rh.1piece_27

KEY NO.	PART NO.	DESCRIPTION
1	404981	Plunger Asm Lift Lever Blk
2	159471	Shaft Asm Lift RH
3	105767X	Pin Groove 1 500 Zinc
4	12000002	E Ring #5133-62
5	19211621	Washer 21/32 x 1 x 21 Ga.
6	120183X	Bearing Nylon Blk 629 Id
7	109413X	Grip Handle Bicycle Matte Blk
8	124526X	Button Plunger Black
11	139865	Link Lift LH Fixed Length
12	139866	Link Lift RH Fixed Length
13	4939M	Retainer Spring

KEY NO.	PART NO.	DESCRIPTION
15	173288	Link Front
16	73350800	Nut Jam Hex 1/2-13 unc
17	175689	Trunnion
18	73800800	Nut Lock w/Wsh 1/2-13 unc
19	139868	Arm Suspension Rear
20	194209	Pin Cotter 7/16 Bow Tie Lock
31	169865	Bearing Pvt Lift
32	73540600	Nut Crownlock 3/8-24
55	194208	Pin Cotter 5/16 Bow Tie Lock

NOTE: All component dimensions given in U.S. inches
1 inch = 25.4 mm.

SERVICE NOTES
