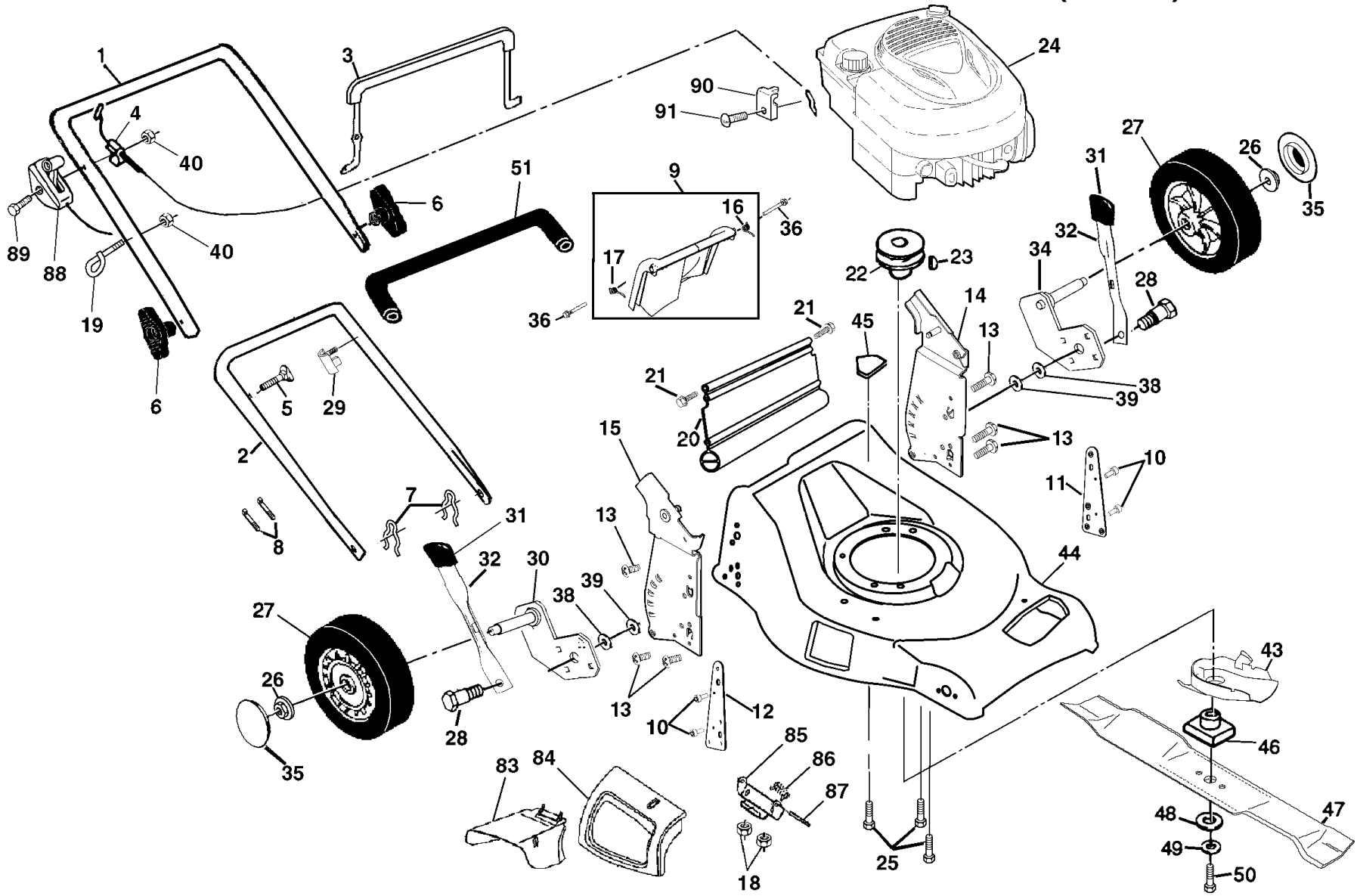


ROTARY LAWN MOWER - - MODEL NUMBER PR65Y21MB (376411)



ROTARY LAWN MOWER - - MODEL NUMBER PR65Y21MB (376411)

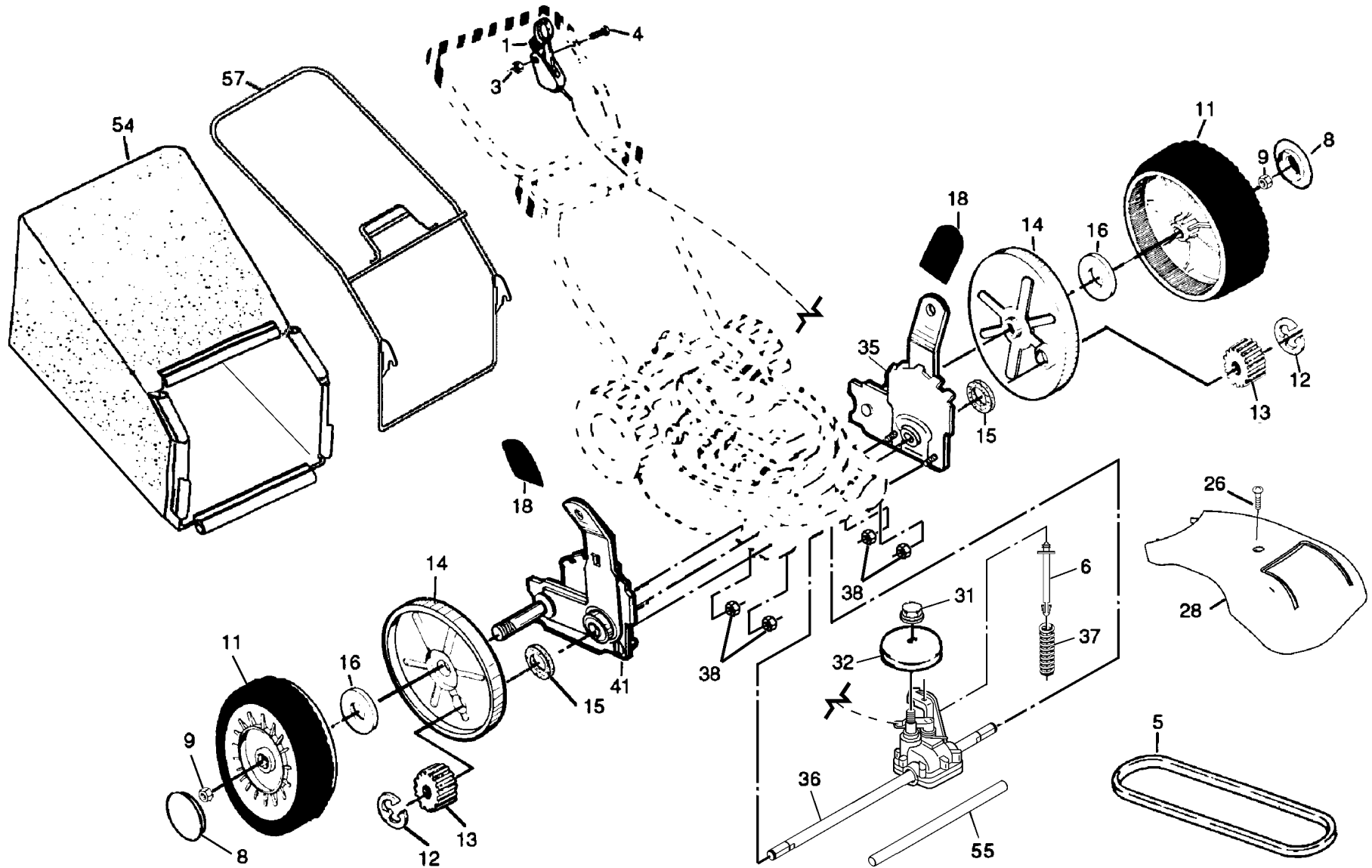
KEY PART NO.	PART NO.	DESCRIPTION
1	183485	Upper Handle, with Grip
2	151721X479	Lower Handle
3	181391	Control Bar
4	133107	Engine Zone Control Cable
5	131959	Handle Bolt
6	170146	Handle Knob
7	51793	Hairpin Cotter
8	66426	Wire Tie
9	180479	Rear Door Kit (Incl. Key #16 & 17)
10	128415	Pop Rivet
11	175069X479	Support Bracket LH
12	175070X479	Support Bracket RH
13	17060410	Screw 14-20 x 5/8
14	175082X479	Handle Bracket Assembly (Left)
15	175081X479	Handle Bracket Assembly (Right)
16	180071	Spring LH
17	180072	Spring RH
18	63601	Keeps Locknut 1/4-20
19	179585	Rope Guide
20	178398	Rear Skirt
21	88652	Hinge Screw 1/4-20 x 1-1/4
22	84596	Engine Pulley
23	87677	Hi-Pro Key #505
24	---	Engine, Briggs & Stratton, Model Number 123K02 (Order parts from engine manufacturer)
25	150406	Hex Head Thread Rolling Srew 3/8-16 x 1-1/8
26	83923	Hex Flange Nut
27	167628	Wheel
28	175231	Shoulder Bolt 5/16-18 x .33
29	165108	Bracket, Anti-Fold
30	165761X004	Axle Arm Assembly RR
31	170143	Selector Knob

KEY PART NO.	PART NO.	DESCRIPTION
32	175060X004	Selector Spring
34	165762X004	Axle Arm Assembly LR
35	180660	Hubcap
36	165912	Bolt
38	176185	Washer
39	176235	Push Nut
40	132004	Nut, Hex
43	175083	Bottom Belt Cover
44	176710	Lawn Mower Housing (Incl. Key #10, 11, 12& 45)
45	107339X	Danger Decal
46	851514	Blade Adapter
47	175064	Blade 21"
48	851074	Hardened Washer
49	850263	Helical Washer 3/8-24 x 1-3/8 Gr. 8
50	851084	Hex Head Machine Screw 3/8-24 x 1-3/8 Gr. 8
51	164265	Grip, Foam
83	175071	Clipping Deflector
84	175066	Mulcher Door
85	175735	Hinge Bracket
86	175285	Spring
87	175650	Hinge Rod
88	170294	Throttle Control
89	144929	Screw
90	111190X	Cable Clamp
91	83816	Screw
--	162300	Warning Decal (Not Shown)
--	172787	Operator's Manual, English
--	172788	Operator's Manual, French
--	183414	Repair Parts Manual, English/French

NOTE: All component dimensions given in U.S. inches.
1 inch = 25.4 mm

ROTARY LAWN MOWER - - MODEL NUMBER PR65Y21MB (376411)

4



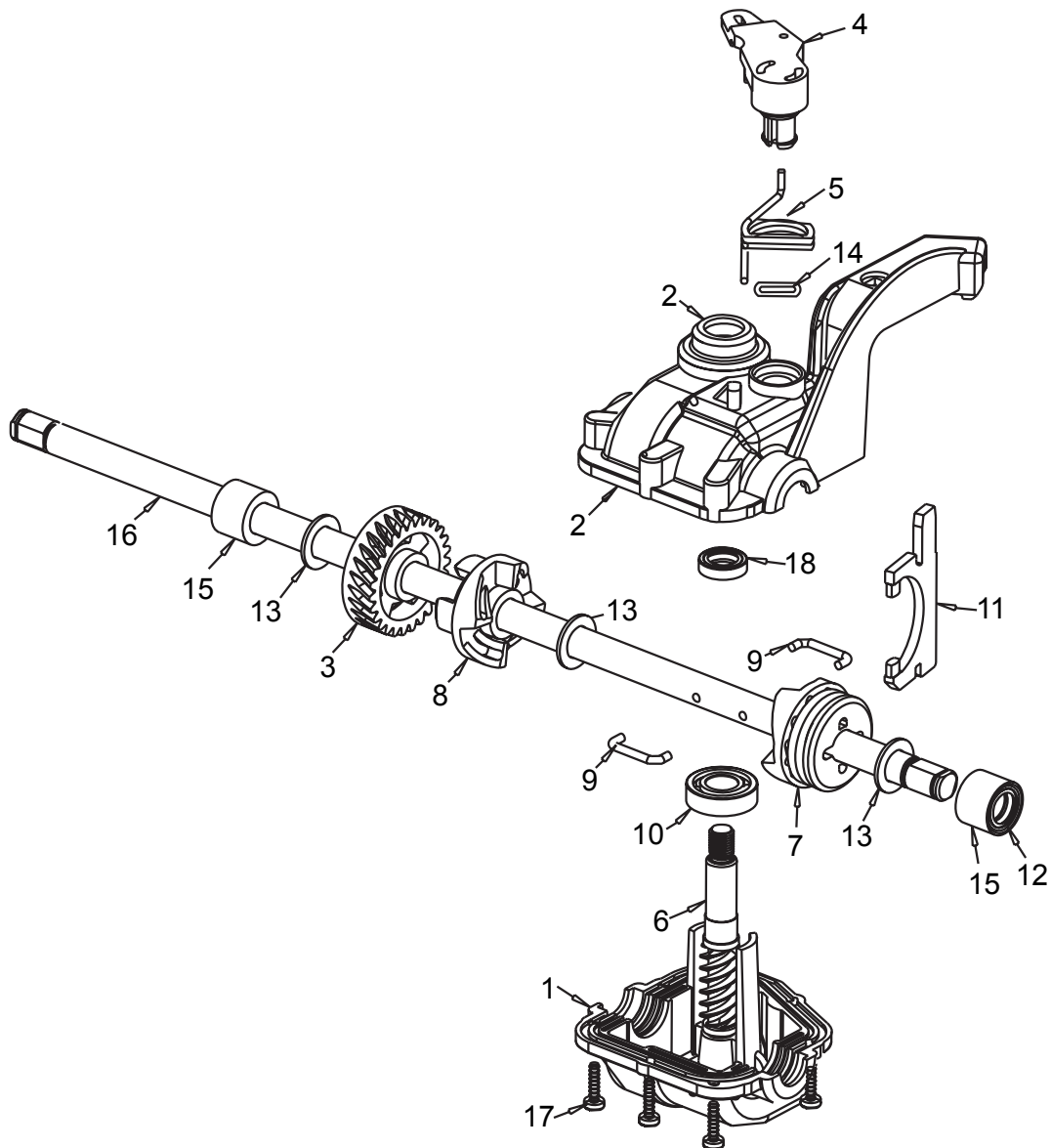
ROTARY LAWN MOWER - - MODEL NUMBER PR65Y21MB (376411)

KEY NO.	PART NO.	DESCRIPTION
1	179684	Control Cable Assembly
3	751152	Locknut #10-24
4	158755	Hex Washer Head Screw 1/4-20 x 2.12
5	175436	V-Belt
6	150495	Spring Retainer
8	180660	Hubcap
9	145212	Locknut
11	180767	Wheel & Tire Assembly
12	12000058	E-Ring
13	137054	Pinion
14	180504	Dust Cover
15	88118	Felt Washer
16	67725	Washer 1/2 x 1-1/2 x .134
18	170143	Selector Knob
26	175262	Pan Head Tapping Screw #10-24 x 2-3/4

KEY NO.	PART NO.	DESCRIPTION
28	181466	Drive Cover
31	132010	Hex Flange Nut
32	137052	Drive Pulley
35	151521	Wheel Adjuster Assembly (Left)
36	180184	Gear Case Assembly (See Breakdown)
37	137090	Spring
38	63601	Locknut 1/4-20
41	151520	Wheel Adjuster Assembly (Right)
54	181370	Grassbag Assembly
55	175739	Driveshaft Cover
57	175058	Frame

NOTE: All component dimensions given in U.S. inches.
1 inch = 25.4 mm

ROTARY LAWN MOWER - - MODEL NO. PR65Y21MB (376411) GEAR CASE ASSEMBLY - - PART NUMBER 180184



KEY NO.	PART NO.	DESCRIPTION
1	183497	Case, Lower
2	183498	Case, Upper
3	183499	Gear, 27 Teeth
4	183500	Lever, Clutch
5	183501	Spring, Return
6	183502	Shaft, Input
7	183503	Dog, Movable
8	183504	Dog, Fixed
9	183505	Wire, Formed
10	183506	Bearing, Ball
11	183507	Fork, Shift
12	183508	Seal, Output Shaft
13	183509	Washer
14	183510	Seal, Case
15	183511	Bushing
16	183512	Shaft, Output
17	183513	Screw
18	183514	Seal, Input Shaft

NOTE: Use Dow Corning #709 to reseal Gear Case Halves.

NOTE: All component dimensions given in U.S. inches.
1 inch = 25.4 mm