

LIMITED WARRANTY

The Manufacturer warrants to the original consumer purchaser that this product as manufactured is free from defects in materials and workmanship. For a period of one (1) year from date of purchase by the original consumer purchaser, we will repair or replace, at our option, without charge for parts or labor incurred in replacing parts, any part which we find to be defective due to materials or workmanship. This Warranty is subject to the following limitations and exclusions.

1. This warranty does not apply to the engine, transaxle/transmission components, battery (except as noted below) or components parts thereof. Please refer to the applicable manufacturer's warranty on these items.
2. Transportation charges for the movement of any power equipment unit or attachment are the responsibility of the purchaser. Transportation charges for any parts submitted for replacement under this warranty must be paid by the purchaser unless such return is requested by the manufacturer.
3. Battery Warranty: On products equipped with a Battery, we will replace, without charge to you, any battery which we find to be defective in manufacture, during the first ninety (90) days of ownership. After ninety (90) days, we will exchange the Battery, charging you 1/12 of the price of a new Battery for each full month from the date of the original sale. Battery must be maintained in accordance with the instructions furnished.
4. The Warranty period for any products used for rental or commercial purposes is limited to 45 days from the date of original purchase.
5. This Warranty applies only to products which have been properly assembled, adjusted, operated, and maintained in accordance with the instructions furnished. This Warranty does not apply to any product which has been subjected to alteration, misuse, abuse, improper assembly or installation, delivery damage, or to normal wear of the product.
6. Exclusions: Excluded from this Warranty are belts, blades, blade adapters, normal wear, normal adjustments, standard hardware and normal maintenance.
7. In the event you have a claim under this Warranty, you must return the product to an authorized service dealer.

Should you have any unanswered questions concerning this Warranty, contact:

Poulan
Customer Service Department
1030 Stevens Creek Road
Augusta, GA 30907 USA

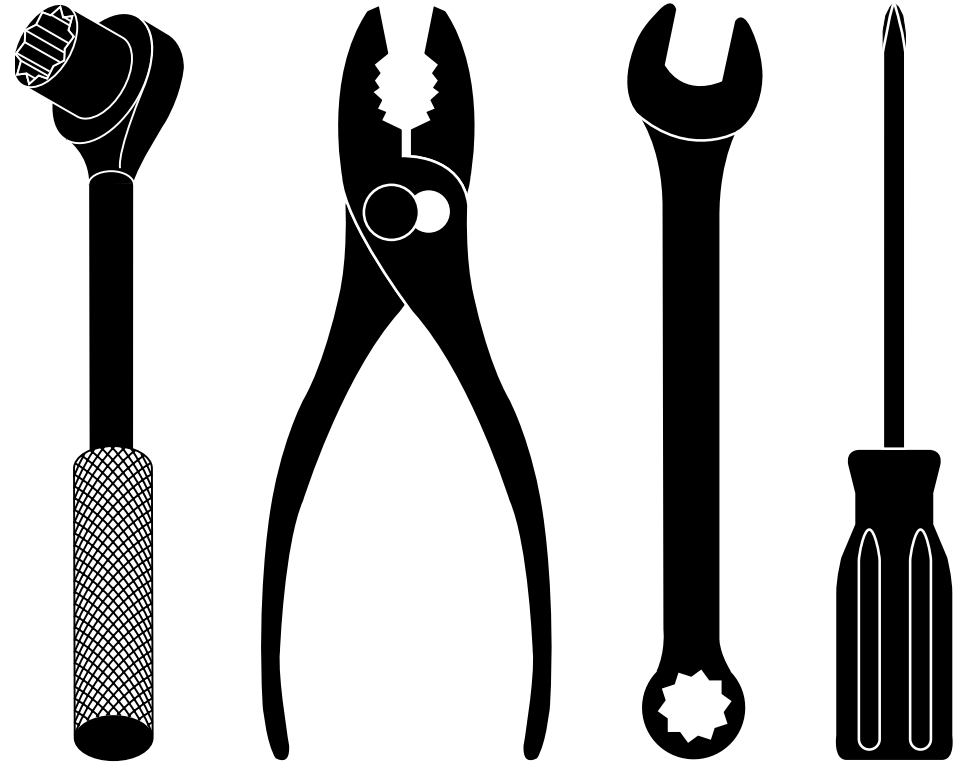
In Canada contact:
Poulan
Customer Service Department
5855 Terry Fox Way
Mississauga, Ontario L5V 3E4

giving the model number, serial number and date of purchase of your product and the name and address of the authorized dealer from whom it was purchased.

THIS WARRANTY DOES NOT APPLY TO INCIDENTAL OR CONSEQUENTIAL DAMAGES AND ANY IMPLIED WARRANTIES ARE LIMITED TO THE SAME TIME PERIODS STATED HEREIN FOR OUR EXPRESSED WARRANTIES.

Some areas do not allow the limitation of consequential damages or limitations of how long an implied Warranty may last, so the above limitations or exclusions may not apply to you. This Warranty gives you specific legal rights, and you may have other rights which vary from locale to locale.

This is a limited Warranty within the meaning of that term as defined in the Magnuson-Moss Act of 1975.



REPAIR PARTS MANUAL

MODEL NO. PO450N20SX

MFG. ID. NO. 96112007201

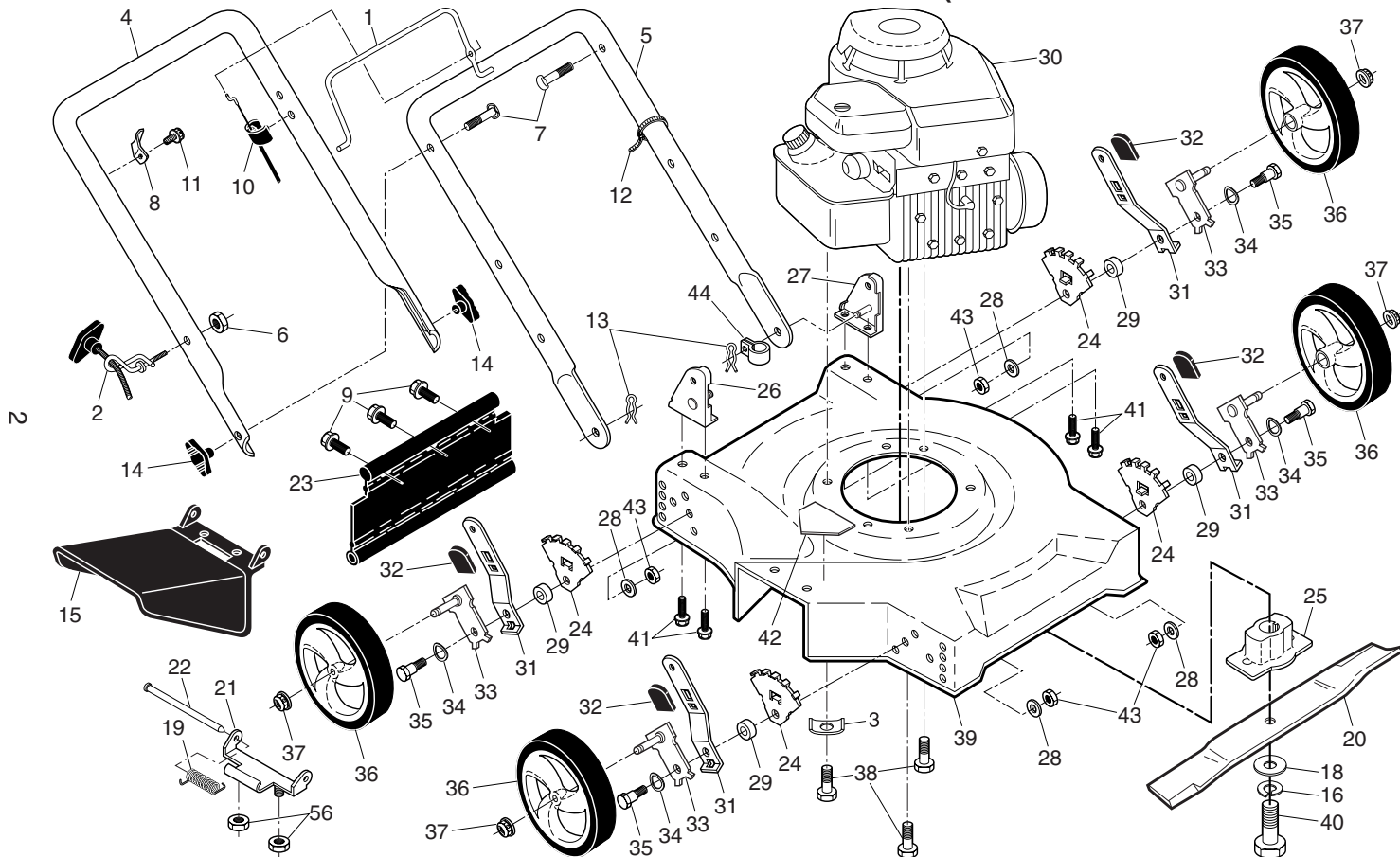
Rotary Lawn Mower

For Parts and Service, contact our authorized distributor: call 1-800-849-1297
For Technical Assistance: call 1-800-829-5886

Poulan

Poulan

ROTARY LAWN MOWER - - MODEL NUMBER PO450N20SX (MFG. ID. NUMBER 96112007201)



ROTARY LAWN MOWER - - MODEL NUMBER PO450N20SX (MFG. ID. NUMBER 96112007201)

KEY NO.	PART NO.	DESCRIPTION	KEY NO.	PART NO.	DESCRIPTION
1	194176X428	Control Bar	27	170346X479	Handle Bracket Assembly, LH
2	194788	Rope Guide	28	61537	Washer, Flat
3	851201X004	Engine Washer	29	401629	Spacer
4	194180X479	Upper Handle	30	---	Engine, Briggs & Stratton, Model Number 09K502-1251-F1 (For engine service and replacement parts, call Briggs & Stratton at 1-800-233-3723)
5	151590X479	Lower Handle	31	401621X004	Selector Spring
6	132004	Nut, Hex	32	87877	Selector Knob
7	191574	Handle Bolt 5/16-18 x 1-3/4	33	401179X004	Axle Arm Assembly
8	429930X004	Up-Stop Bracket	34	401630	Belleville Washer
9	189241	Hex Washer Head Screw #10-24 x 1/2	35	401638	Shoulder Bolt
10	162778	Engine Zone Control Cable	36	193850X471	Wheel and Tire Assembly
11	750634	Screw	37	409148	Nut, Hex
12	66426	Wire Tie	38	150406	Hex Head Thread Rolling Screw 3/8-16 x 1-1/8
13	51793	Hairpin Cotter	39	414784	Lawn Mower Housing
14	189713X428	Knob, Handle	40	851084	Hex Head Screw 3/8-24 x 1-3/8 Grade 8
15	428278X428	Discharge Guard	41	149741	Thread Cutting Screw 5/16-18 x 3/4
16	850263	Helical Lock Washer 3/8	42	404763	Danger Decal
18	851074	Hardened Washer	43	73930500	Locknut, Hex 5/16-18
19	411832	Torsion Spring	44	197991	Clip, Cable
20	145106	Blade, 20"	56	73800400	Locknut, Hex 1/4-20
21	88602	Hinge Deflector	--	404764	Warning Decal (not shown)
22	150215	Hinge Rod	--	193732	Operator's Manual, English
23	189240	Rear Deflector	--	193734	Operator's Manual, French
24	407494X005	Wheel Adjusting Bracket	--	424539	Repair Parts Manual, English
25	850977	Blade Adapter			
26	170345X479	Handle Bracket Assembly, RH			

NOTE: All component dimensions given in U.S. inches. 1 inch = 25.4 mm. **IMPORTANT:** Use only Original Equipment Manufacturer (O.E.M.) replacement parts. Failure to do so could be hazardous, damage your lawn mower and void your warranty.