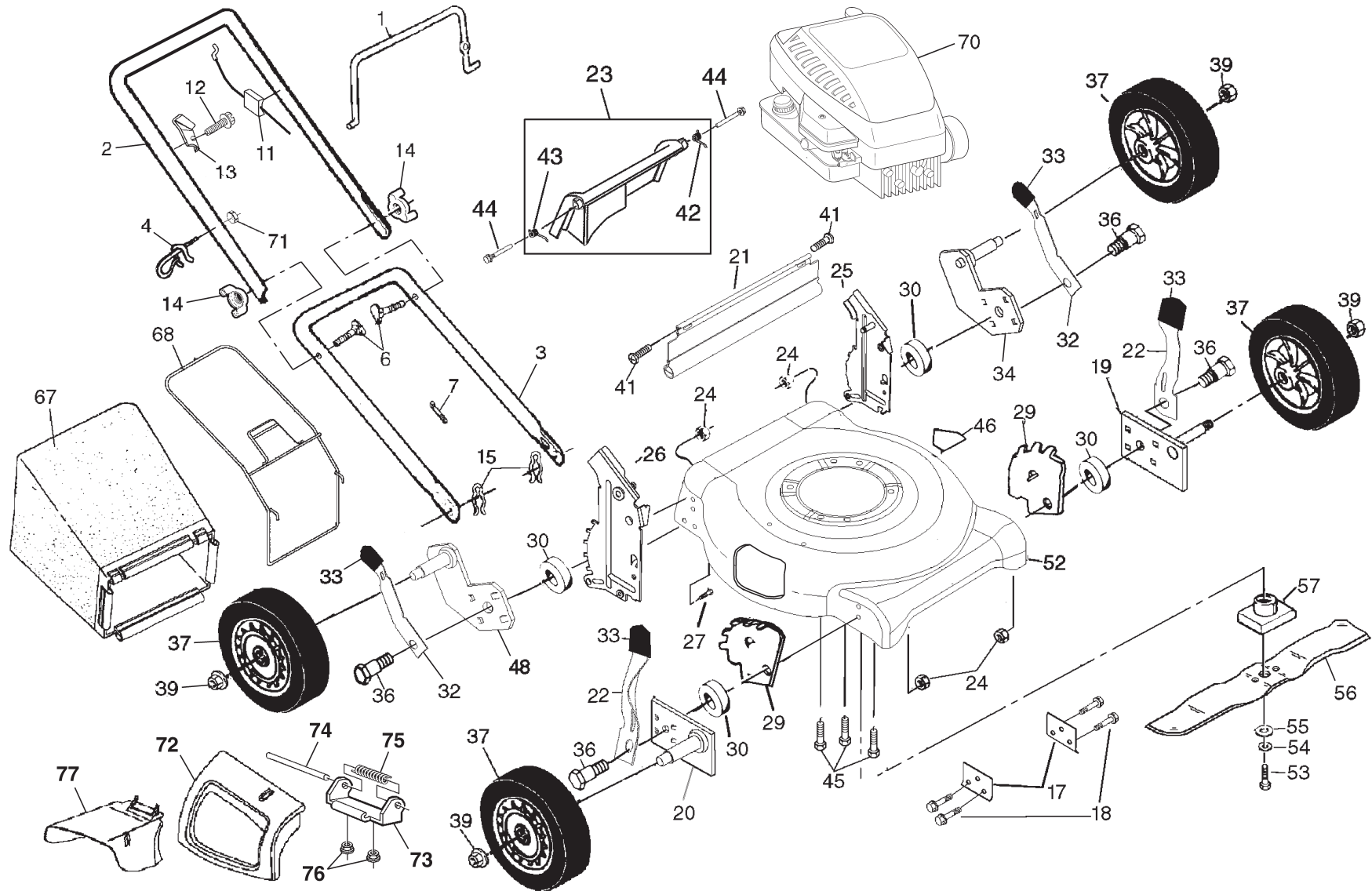


# ROTARY LAWN MOWER - - MODEL NUMBER AG475N21C (AG475N21CA)

2



## ROTARY LAWN MOWER - - MODEL NUMBER AG475N21C (AG475N21CA)

KEY NO.	PART NO.	DESCRIPTION	KEY NO.	PART NO.	DESCRIPTION
1	86902	Control Bar	42	165766	Spring, LH
2	169709X479	Upper Handle	43	165767	Spring, RH
3	169708X479	Lower Handle	44	184193	Door Bolt
4	179585	Rope Guide	45	150406	Hex Head Thread Rolling Screw 3/8-16 x 1
6	131959	Handle Bolt	46	141846	Danger Decal
7	66426	Wire Tie	48	186575X004	Axle Arm Assembly, RR
11	176556	Engine Zone Control Cable	52	190325	Kit, Housing Assembly (Includes Key Numbers 17, 18 and 46)
12	750634	Hex Washer Head Screw	53	851084	Hex Head Screw 3/8-24 x 1-3/8 Grade 8
13	86899X004	Up-Stop Bracket	54	850263	Helical Lockwasher
14	128638	Wing Nut	55	851074	Hardened Washer
15	51793	Hairpin Cotter	56	189028	21" Blade
17	165946X479	Support Bracket	57	851514	Blade Adapter
18	17600406	Screw	67	190011	Grass Bag
19	186577X004	Axle Arm Assembly, LF	68	188813	Frame, Grass Bag
20	186578X004	Axle Arm Assembly, RF	70	- - -	Engine, Briggs & Stratton, Model Number 10M902 (For engine service and replacement parts, call Briggs & Stratton at 1-800-233-3723)
21	188987	Rear Skirt			
22	168360X004	Selector Spring, Front			
23	186612	Kit, Rear Door (Includes Springs)			
24	73930500	Locknut 5/16-18	71	132004	Nut, Hex
25	166111X479	Handle Bracket Assembly, LH	72	165754	Mulcher Door
26	166112X479	Handle Bracket Assembly, RH	73	154132	Bracket, Hinge
27	851856	Screw 1/4-20 x 3/8	74	147286	Rod, Hinge
29	160835X007	Wheel Adjusting Bracket, Front	75	152124	Spring, Hinge
30	183901	Washer	76	73800400	Nut, Hex
32	169421X004	Selector Spring, Rear	77	165760	Deflector, Discharge
33	87877	Selector Knob	--	161058	Warning Decal (Not Shown)
34	186576X004	Axle Arm Assembly, LR	--	172782	Operator's Manual, English
36	160828	Shoulder Bolt 5/16-18	--	172784	Operator's Manual, Spanish
37	700263	Wheel Assembly	--	190010	Repair Parts Manual
39	83923	Flanged Locknut			
41	88652	Hinge Screw			

**NOTE:** All component dimensions given in U.S. inches.  
1 inch = 25.4 mm