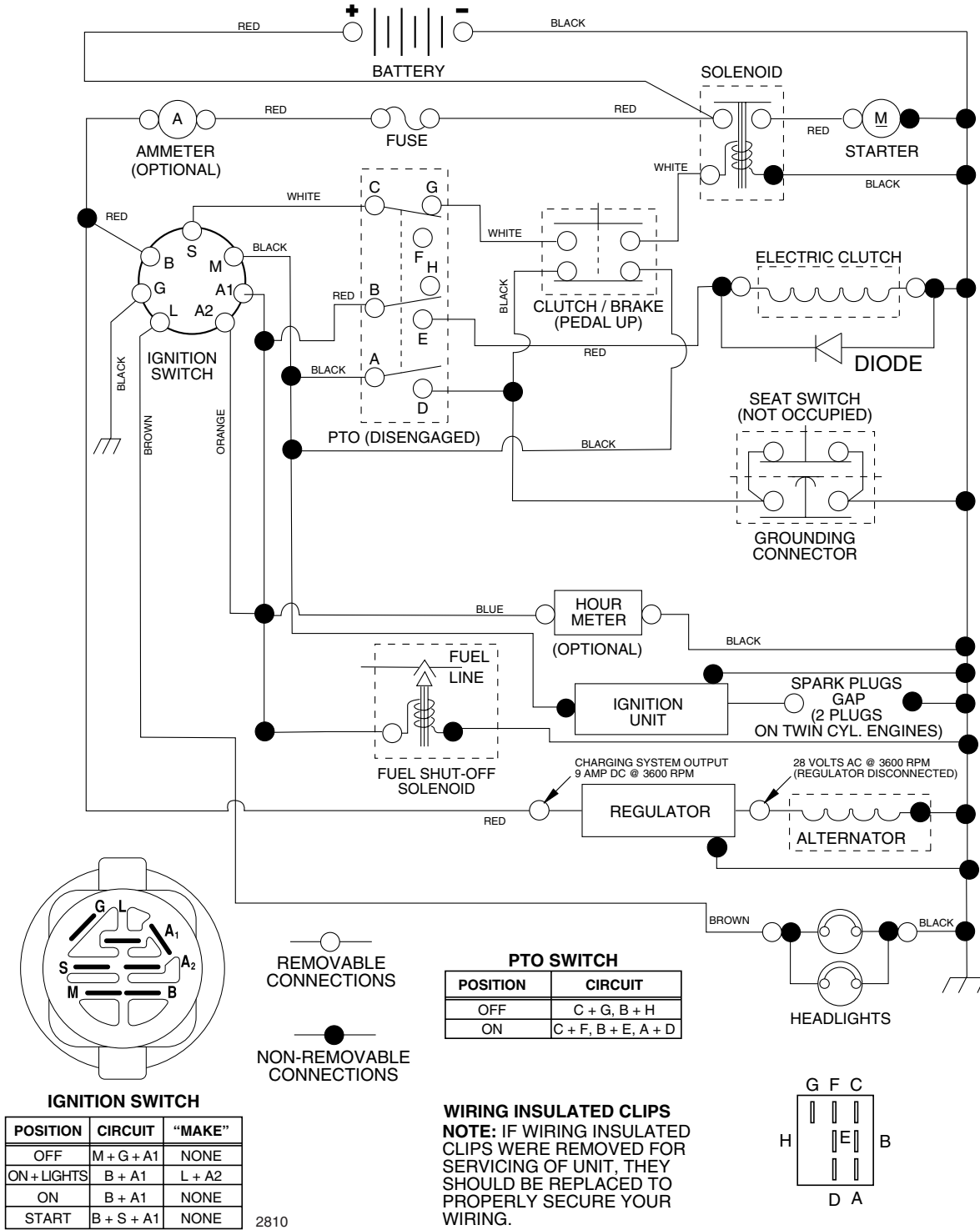


TRACTOR - - MODEL NUMBER CO18542STC

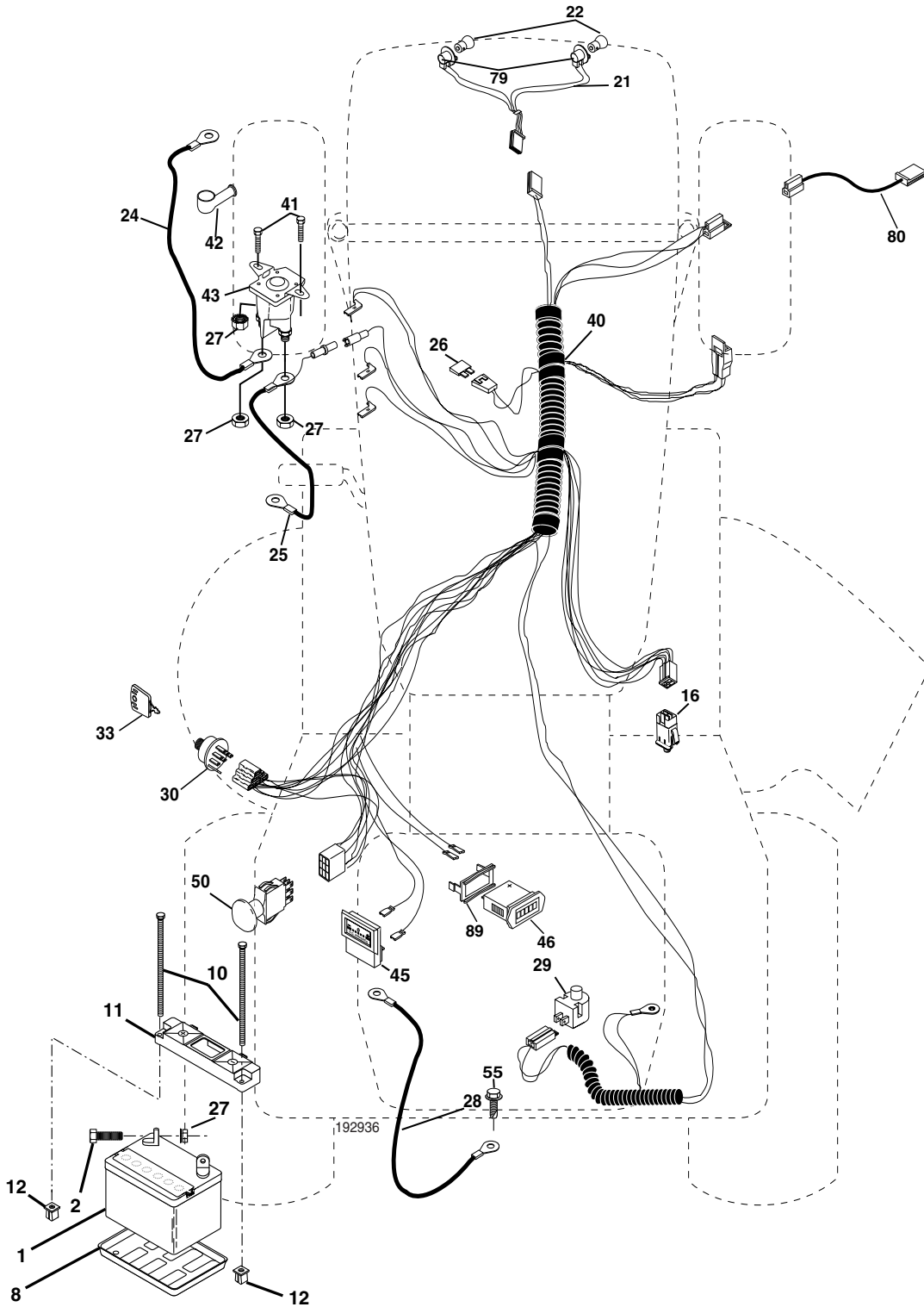
SCHEMATIC



REPAIR PARTS

TRACTOR - - MODEL NUMBER CO18542STC

ELECTRICAL



ELECTRICAL

TRACTOR - - MODEL NUMBER CO18542STC

KEY NO.	PART NO.	DESCRIPTION
1	163465	Battery
2	74760412	Bolt, Hex 1/4-20 x 3/4
8	7603J	Tray, Battery
10	145211	Bolt, Battery, Front 1/4-20 x 7-1/2
11	150109	Holddown, Battery, Front
12	145769	Nut, Push, Nylon, Battery, Front 1/4
16	176138	Switch, Interlock
21	175688	Harness, Light
22	4152J	Bulb Light #1156
24	8860R	Cable Starter
25	146148	Cable
26	175158	Fuse
27	73510400	Nut, Hex, Keps 1/4-20 unc
28	145491	Cable, Ground
29	121305X	Switch, Seat
30	175566	Switch, Ignition
33	140403	Key
40	192936	Harness, Ignition
41	17720408	Screw Thd Cut 1/4-20 x 1/2
42	131563	Cover Terminal
43	178861	Solinoid w/brass plunger
45	122822X	Ammeter
46	169635	Hourmeter
50	174652	Switch, PTO
55	17490508	Screw, Thd. Roll. 5/16-18 x 1/2
79	175242	Socket Asm Bulb Twistlock
80	146685	Harness Clutch EXV
89	169639	Bracket Snap-In Hourmeter

NOTE: All component dimensions given in U. S.
inches 1 inch = 25.4 mm

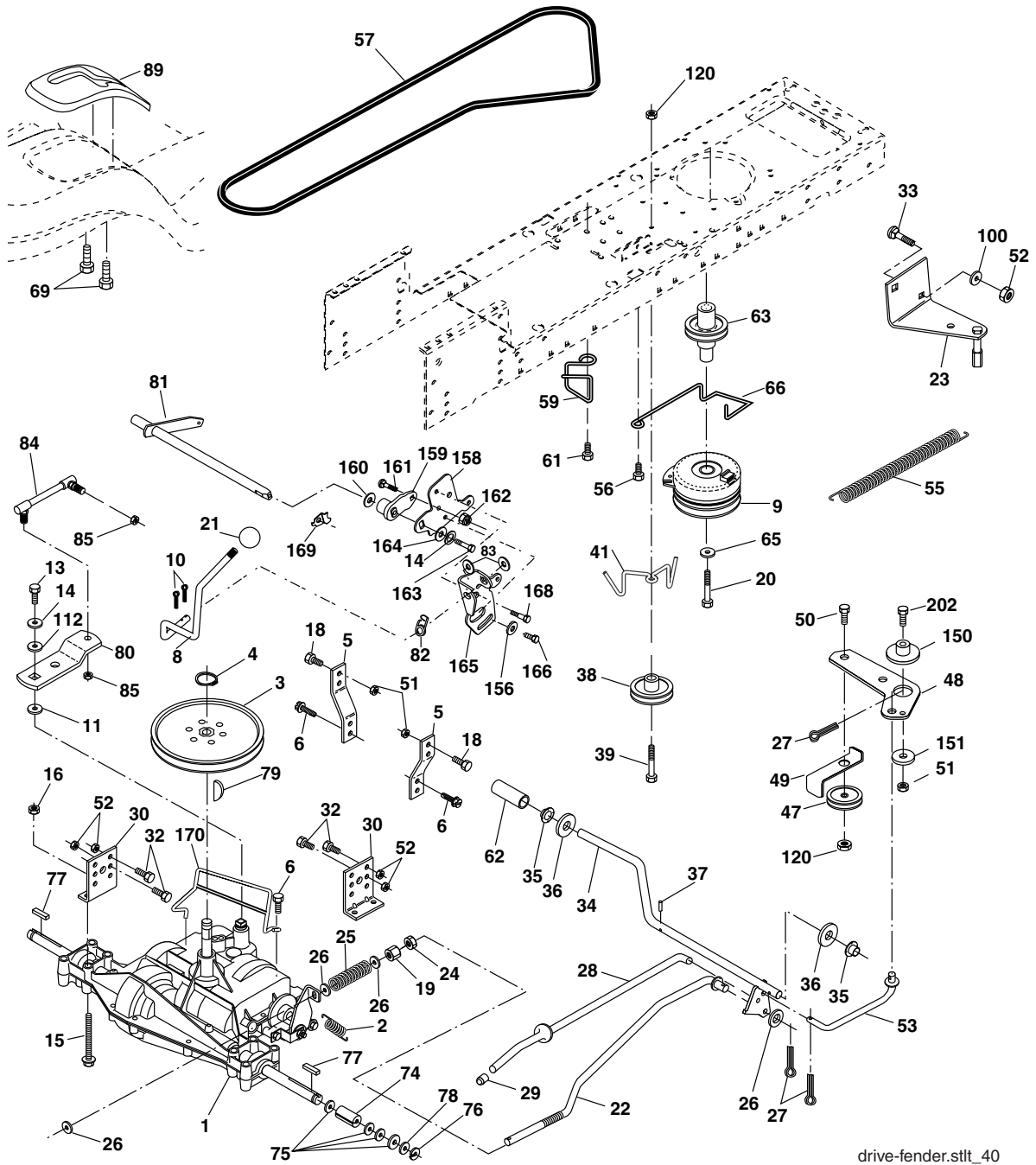
**TRACTOR - - MODEL NUMBER CO18542STC
CHASSIS AND ENCLOSURES**

KEY NO.	PART NO.	DESCRIPTION
1	174619	Chassis
2	176554	Drawbar
9	161566X428	Dash
10	72140608	Bolt RDHD SQNK 3/8-16 x 1
11	167203	Panel, Dash, LH
13	188702X010	Panel, Dash, RH
14	17490608	Screw Thdrol 3/8-16 x 1/2
17	175260X428	Hood Assembly
20	162026	Plate Battery
26	73800600	Locknut, Hex, with Insert 3/8-16 unc
28	175289X428	Grille
29	161840	Lens Bar
30	188572X428	Fender/Footrest
31	139976	Bracket, Fender/Support
37	17490508	Screw, Thdrol. 5/16-18 x 1/2 TYT
38	175710	Bracket Asm Pivot Mower Rear
54	161464	Screw 8-18 x 7/8
58	175351	Duct Hood
59	187495	Bushing
60	72140606	Bolt Rdhd Sqnk 3/8-16 unc x 3/4
64	174997	Dash Lower
74	73680600	Nut Crownlock 3/8-16 unc
90	124346X	Nut Self Thrd Wshd 1/4 Zinc
114	158112	Keeper Belt Rear LH
142	175702	Plate Reinforcement
143	186689	Bracket Swaybar Chassis
144	175582	Bracket Footrest
145	156524	Rod Pivot Chassis/Hood
148	17060620	Screw 3/8-16 x 1-1/4
154	161897	Bracket Dash Rh
155	161900	Bracket Dash Lh
158	162037	Parking Brake Bkrt
159	179950X428	Cupholder
161	164655	Bumper
166	191611	Screw 10 x 3/4 Single Lead Hex
206	170165	Bolt Shoulder 5/16-18
209	17000612	Screw Hexwsh Thdr 3/8-16 x 3/4
211	145212	Nut Hexflange Lock
213	169848X428	Skirt Grille LH
214	169847X428	Skirt Grille RH
217	179132X428	Console Fuel Window

NOTE: All component dimensions given in U.S. inches
1 inch = 25.4 mm

TRACTOR - - MODEL NUMBER CO18542STC

GROUND DRIVE



drive-fender.stlt_40

TRACTOR - - MODEL NUMBER CO18542STC

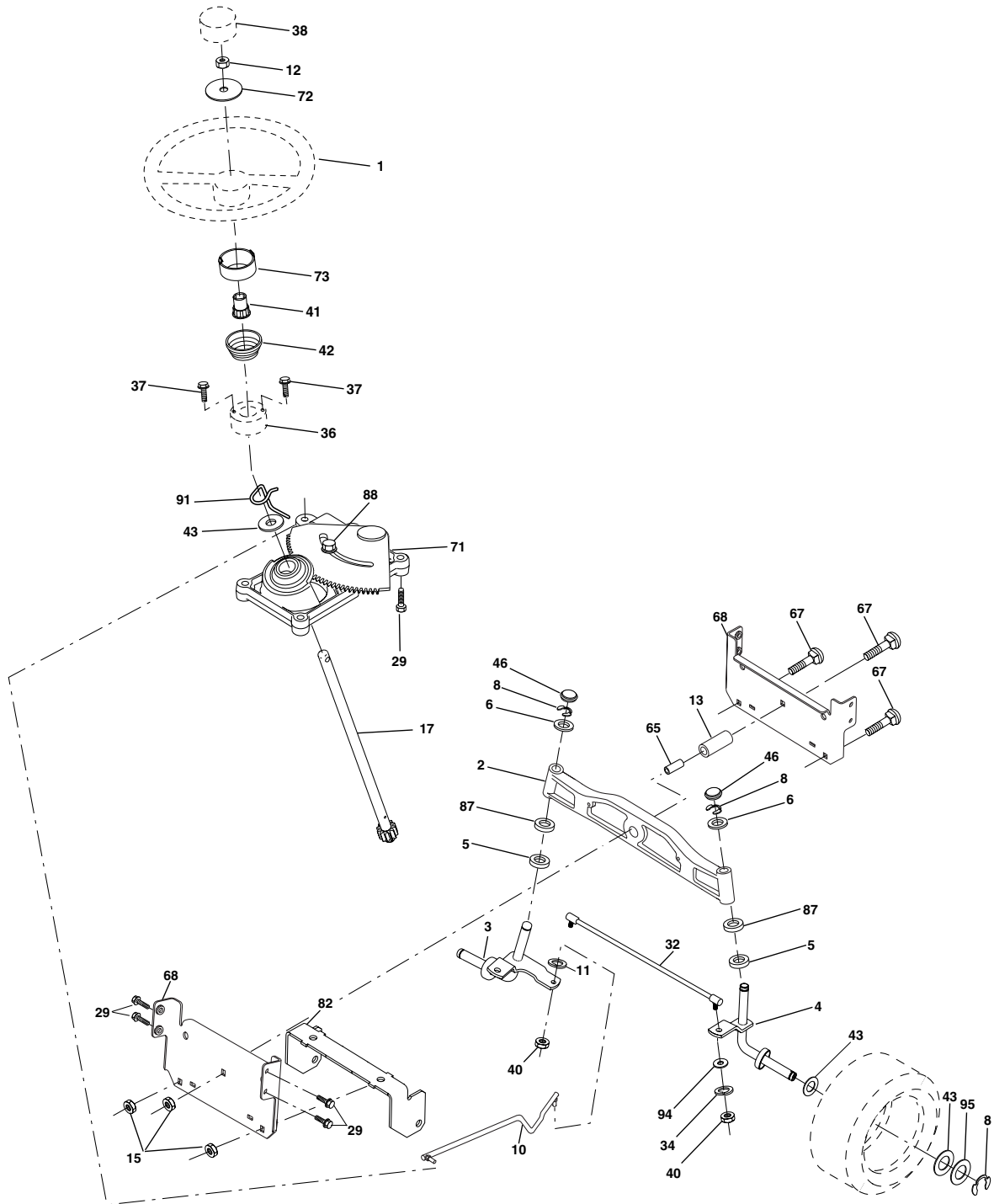
GROUND DRIVE

KEY NO.	PART NO.	DESCRIPTION	KEY NO.	PART NO.	DESCRIPTION
1	-----	Transaxle Peerless 206-545C (Order parts from Transaxle manufacturer)	56	17060620	Screw 3/8-16 x 1-1/4
2	146682	Spring, Return, Brake	57	130801	V-Belt, Ground Drive
3	123666X	Pulley, Transaxle	59	169691	Keeper, Belt, Center Span
4	12000028	Ring, Retainer	61	17120614	Screw 3/8-16 x .875
5	121520X	Strap, Torque	62	123533X	Cover, Pedal
6	17060512	Screw 5/16-18 x 3/4	63	175414	Pulley, Engine
8	165866	Rod Shifter Fender STLT	65	10040700	Washer
9	160889	Clutch	66	154778	Keeper, Belt, Engine, Fool Proof
10	76020416	Pin, Cotter	69	142432	Screw Hex Wsh Hi-Lo 1/4-1/2 unc
11	105701X	Washer, Shift Plate	74	137057	Spacer, Axle
13	74550412	Bolt 1/4-28 UNF W/Patch Gr. 8	75	121749X	Washer 25/32 x 1-1/4 x 16 Ga.
14	10040400	Washer Lock Hvy Helical	76	12000001	E-Ring
15	74490544	Bolt Hex FLGHD 5/16-18 Gr. 5	77	123583X	Key, Square 2.0 x .1845/1865
16	73800500	Nut Lock Hx W/Ins 5/16-18 unc	78	121748X	Washer 25/32 x 1-5/8 x 16 Ga.
18	7478616	Bolt Fin Hex 3/8-16 unc x 1 Gr. 5	79	2228M	Key Woodruff
19	73350600	Nut	80	145090	Arm, Shift
20	150280	Bolt 7/16-20 x 4-1/4 Gr. 5	81	165593	Shaft Asm Cross Tapered 20
21	106933X	Knob	82	165711	Spring, Torsion
22	130804	Rod, Brake	83	19171216	Washer 17/32 x 3/4 x 16 Ga.
23	171258	Bracket Anti-Rotation	84	166231	Link Transaxle
24	73800600	Nut	85	150360	Nut, Nylock
25	106888X	Spring, Brake Rod	89	188310X428	Console, Shift, STLT
26	19131316	Washer	96	4497H	Retainer Spring 1"
27	76020412	Pin	100	19111016	Washer 11/32 x 5/8 x 16 Ga.
28	175765	Rod, Parking Brake	112	19091210	Washer 9/32 x 3/4 x 10 Ga.
29	71673	Cap, Parking Brake	113	127285X	Strap Torque 90 Degrees
30	169592	Bracket, Transaxle	120	73900600	Nut Lock Fig. 3/8-16 unc
32	74760512	Bolt	150	175456	Spacer Retainer
33	72140506	Bolt Rdhd Sqnk 5/16-18 unc x 3/4	151	19133210	Washer 13/32 x 2 x 10 Ga.
34	175578	Shaft Assembly, Foot Pedal	156	166002	Washer Srrted 5/16 ID x 1.125
35	120183X	Bearing, Nylon	158	165589	Bracket Shift Mount
36	19211616	Washer	159	183900	Hub Shift
37	1572H	Roll Pin	161	72140406	Bolt Rdhd Sqnk 1/4-20 x 3/4 Gr.5
38	179114	Pulley, Composite, Flat	162	73680400	Nut Crownlock 1/4-20 unc
39	72110622	Bolt Rdhd 3/8-16 unc x 2-3/4	163	74780416	Bolt Hex Fin 1/4-20Unc x 1 Gr. 5
41	175556	Keeper, Belt, Idler	165	165623	Bracket Pivot Lever
47	127783	Pulley, Idler, V-Groove, Plastic	166	17490510	Screw 5/16-18 x 5/8 TT Yellow
48	154407	Bellcrank Clutch Grnd Drv Stl	168	165492	Bolt Shoulder 5/16-18 x .561
49	123205X	Retainer, Belt	169	165580	Plate Fastening Lt
50	72110612	Bolt	170	187414	Keeper Belt Transaxle Gear
51	73680600	Nut Crown Lock 3/8-16 unc	197	169613	Nyliner Snap-In 5/8 ID
52	73680500	Nut Crown Lock 5/16-18 unc	198	169593	Washer Nyliner 7/8 ID x .105 Hd
53	105710X	Link, Clutch	202	72110614	Bolt Carr. SH 3/8-16 x 1-3/4 Gr. 5
55	105709X	Spring, Clutch Return			

NOTE: All component dimensions given in U.S. inches
1 inch = 25.4 mm

TRACTOR - - MODEL NUMBER CO18542STC

STEERING



steering_stealth_prem_7

TRACTOR - - MODEL NUMBER CO18542STC

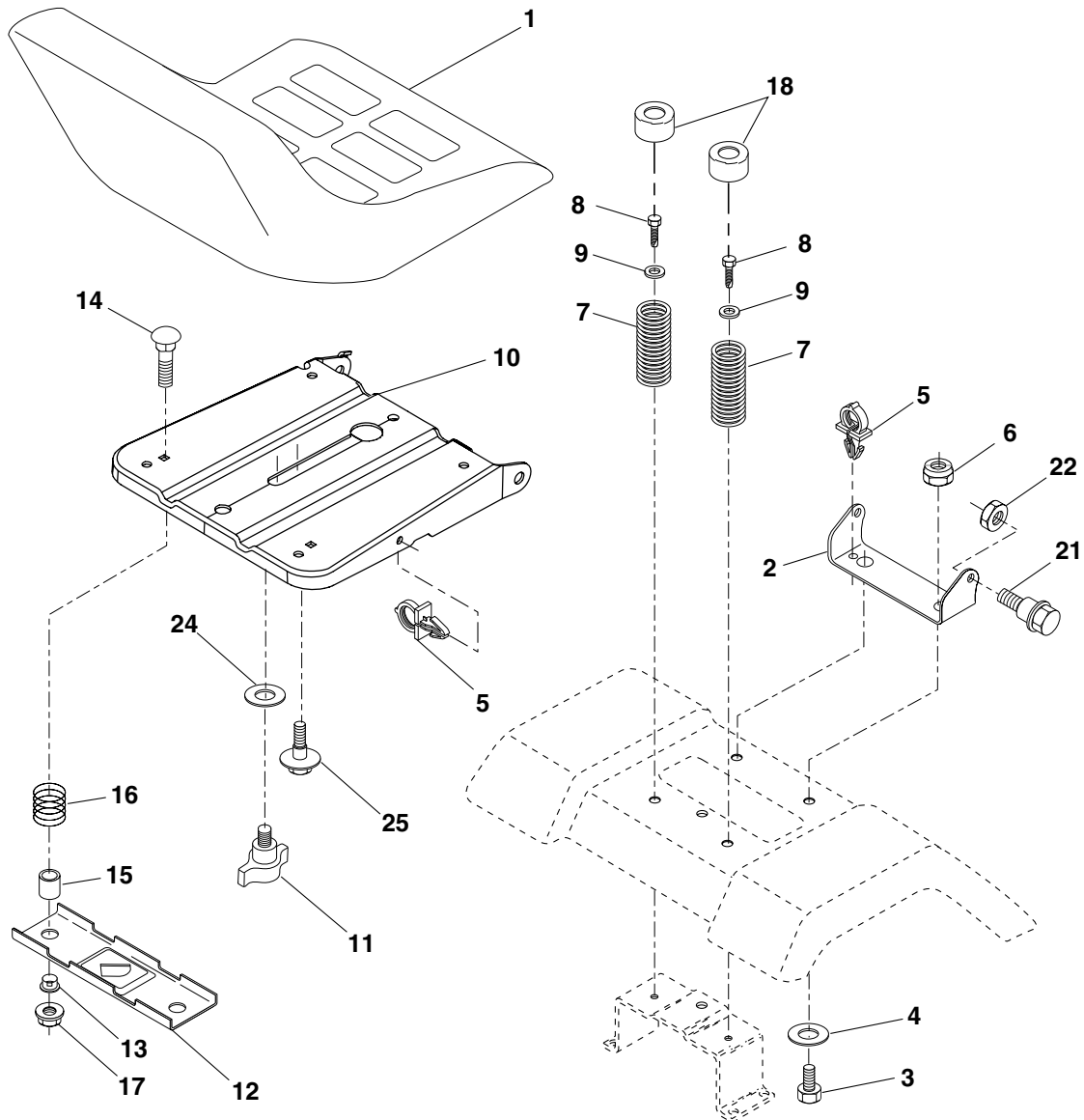
STEERING

KEY NO.	PART NO.	DESCRIPTION
1	159944X428	Wheel Steering
2	184706	Axle Asm
3	169840	Spindle Asm LH
4	169839	Spindle Asm RH
5	6266H	Bearing Race Thrust Harden
6	121748X	Washer 25/32 x 1-5/8 x 16 Ga.
8	12000029	Ring Klip #t5304-75
10	175121	Link Drag
11	10040600	Washer Lock Hvy Hicl Spr 3/8
12	73940800	Nut Hex Jam Toplock 1/2-20 unf
13	136518	Spacer Bearing Axle Front
15	145212	Nut Hex Flange Lock
17	177883	Shaft Asm. Steering
29	17000612	Screw 3/8-16 x 3/4
32	171888	Rod Tie
34	10040500	Washer Lock 5/16
36	155105	Bushing Strg
37	152927	Screw
38	159946X428	Insert Cap Strg Wh
40	73540500	Crownlock Nut 5/16-24 unf
41	159945	Adaptor Wheel Strg
42	163888X428	Boot Steering
43	121749X	Washer 25/32 1 1/4 x 16 Ga.
46	184946X505	Cap Spindle
65	160367	Spacer Brace Axle
67	72110618	Bolt Rdhd Sqnk 3/8-16 x 2-1/4
68	169827	Axle, Brace
71	175146	Steering Asm.
72	19182411	Washer 9/16 ID x 1-1/2 OD 11 Ga.
73	160135X428	Extension Steering
82	169835	Bracket Susp. Chassis Front
87	173966	Washer Flat .781 x 1-1/2 x .15
88	175118	Bolt Shoulder 7/16-20 unc
91	175553	Clip Steering
94	19111216	Washer 11/32 x 3/4 x 16 Ga.
95	188967	Washer Hardened

NOTE: All component dimensions given in U.S. inches
1 inch = 25.4 mm

TRACTOR - - MODEL NUMBER CO18542STC

SEAT ASSEMBLY



seat_lt.knob_2

KEY PART NO. NO.

KEY PART NO.	NO.	DESCRIPTION
1	189022	Seat
2	140551	Bracket Pivot Seat
3	71110616	Bolt Fin Hex 3/8-16 unc x 1
4	19131610	Washer 13/32 x 1 x 10 Ga.
5	145006	Clip Push-In
6	73800600	Nut Hex w/Ins. 3/8-16 unc
7	124181X	Spring Seat Cprsn
8	17000616	Screw 3/8-16 x 1-1/2
9	19131614	Washer 13/32 x 1 x 14 Ga.
10	182493	Pan Seat
11	166369	Knob Seat Adj. Wingnut
12	121246X	Bracket Mounting Switch
13	121248X	Bushing Snap Blk Nyl 50 Id

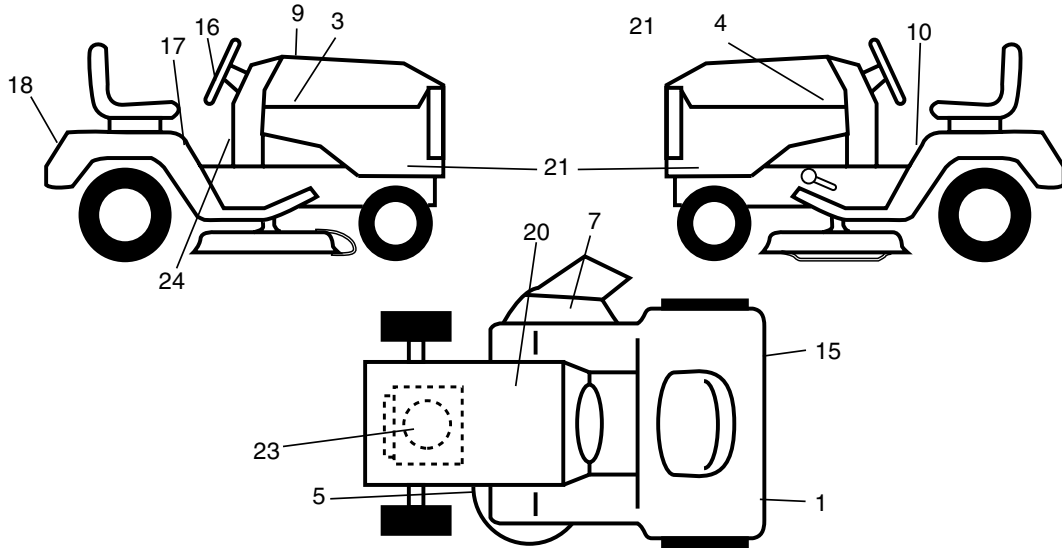
KEY PART NO. NO.

KEY PART NO.	NO.	DESCRIPTION
14	72050412	Bolt Rdhd Sqnk 1/4-20 x 1-1/2
15	121249X	Spacer Split 28x .88 Zinc
16	123740X	Spring Cprsn Plate 1.310 Ga.
17	123976X	Nut Lock 1/4 Lge Flg Gr. 5 Zinc
18	124238X	Cap Spring Seat
21	171852	Bolt Shldr 5/16-18 unc
22	73800500	Nut Hex Lock W/Ins 5/16-18
24	19171912	Washer 17/32 x 1-3/16 x 12 Ga.
25	127018X	Bolt Shldr 5/16-18 x 62

NOTE: All component dimensions given in U.S. inches
1 inch = 25.4 mm

TRACTOR - - MODEL NUMBER CO18542STC

DECALS



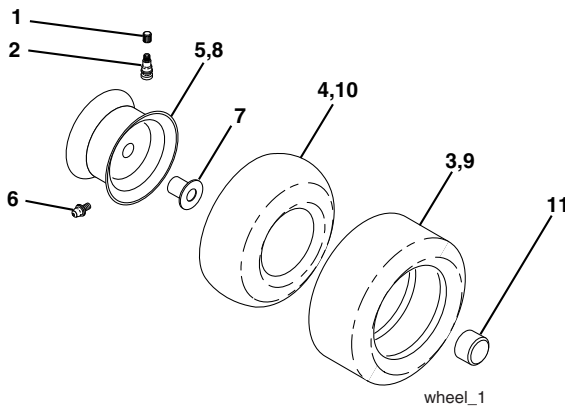
KEY PART NO. NO.

KEY PART NO.	NO.	DESCRIPTION
1	187407	Decal, Reflector, LH
3	176272	Decal, Hood RH
4	176273	Decal, Hood LH
5	160396	Decal, Deck Sch.
7	179128	Decal, Deck "B" "42"
9	189340	Decal, Replacement Hood
10	157141	Decal, Fender, Danger
15	187408	Decal, Reflector, RH
16	172743	Decal, Steering Wheel
17	156368	Decal, Fender, Operator Inst.

KEY PART NO. NO.

KEY PART NO.	NO.	DESCRIPTION
18	172740	Decal, Fender
20	145005	Decal, Battery
21	189290	Decal, Hood, Side Panel
23	189288	Decal, Engine
24	191643	Decal, Dash
--	184310X428	Pad, Footrest, ST/LT, LH
--	184311X428	Pad, Footrest, ST/LT, RH
--	193008	Manual, Owner's, English
--	193009	Manual, Owner's, Spanish

WHEELS & TIRES



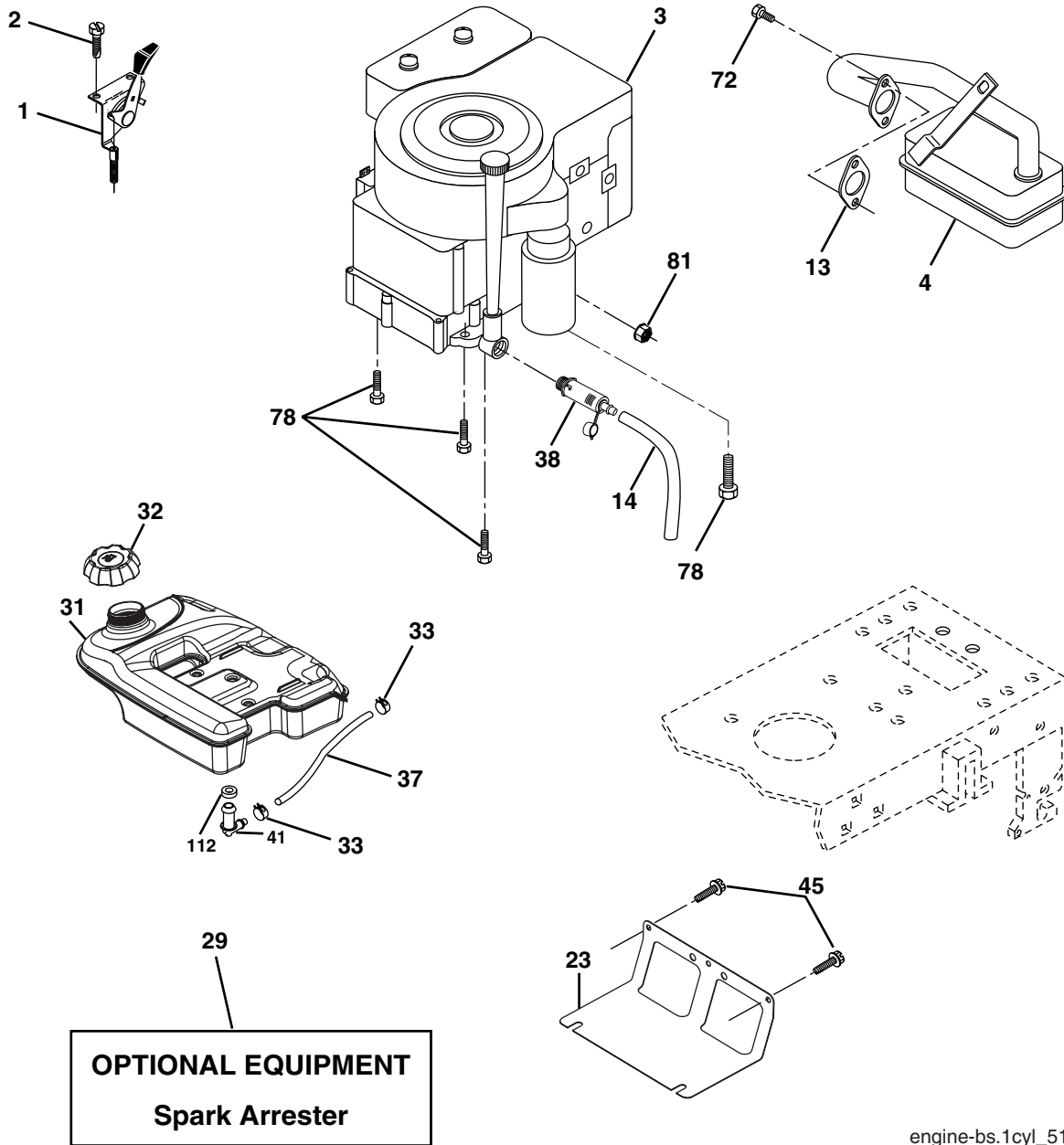
KEY PART NO. NO.

KEY PART NO.	NO.	DESCRIPTION
1	59192	Cap Valve Tire
2	65139	Stem Valve
3	106222X	Tire F Ts 15 x 6 0 - 6 Service
4	59904	Tube Front (Service Item Only)
5	106732X421	Rim Asm 6" front Service
6	278H	Fitting Grease (Front Wheel Only)
7	9040H	Bearing Flange (Front Wheel Only)
8	106108X421	Rim Asm 8" rear Service
9	122082X	Tire R Ts 20 x 10-8 C Service
10	7152J	Tube Rear (Service Item Only)
11	104757X421	Cap Axle
--	144334	Sealant, Tire (10 oz. Tube)

NOTE: All component dimensions given in U.S. inches
1 inch = 25.4 mm

TRACTOR - - MODEL NUMBER CO18542STC

ENGINE



OPTIONAL EQUIPMENT
Spark Arrester

engine-bs.1cyl_51

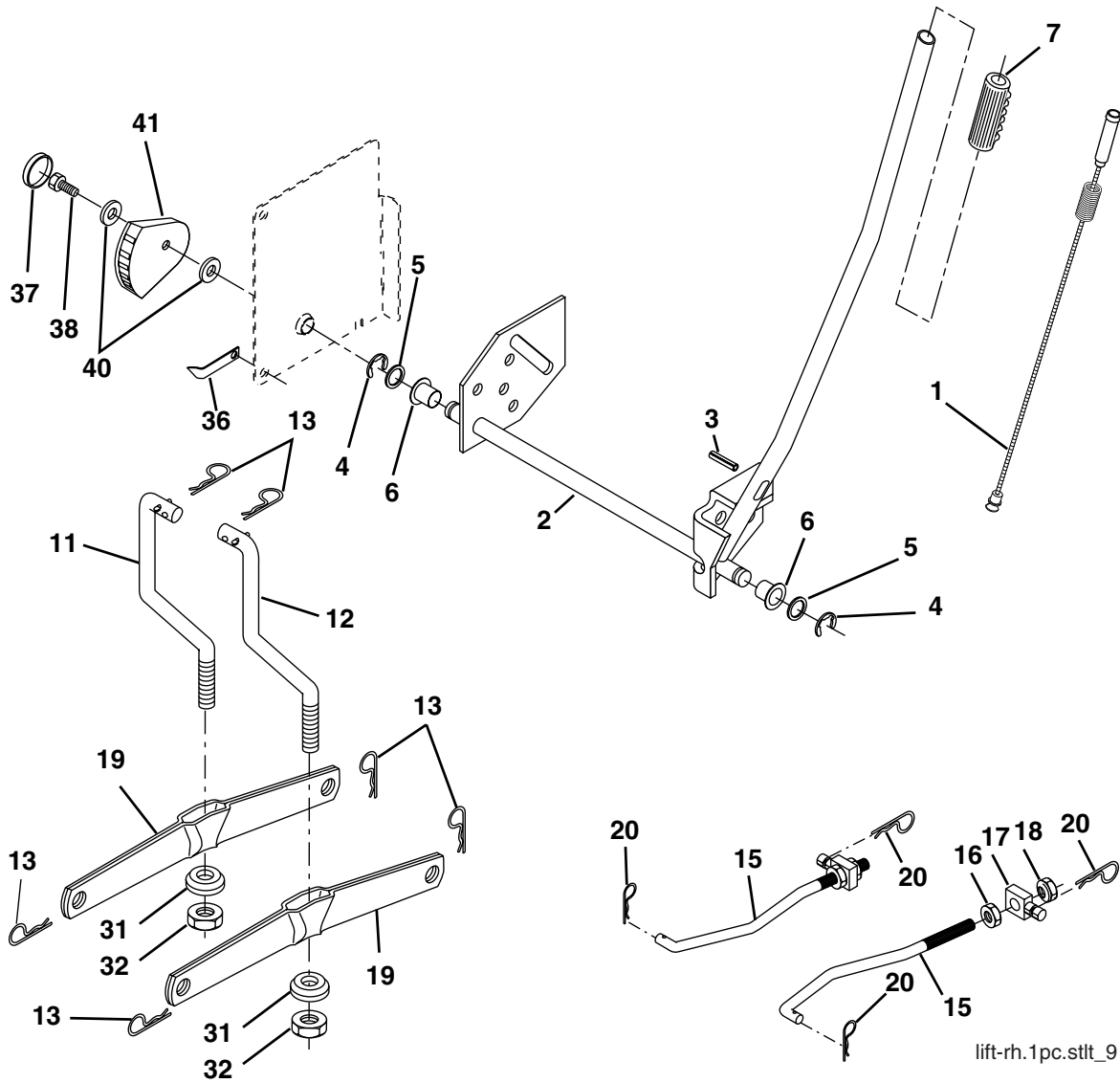
KEY NO.	PART NO.	DESCRIPTION
1	176636X505	Control Throttle/Choke
2	171875	Screw Hwhd Hi-Lo #13-16 x 3/4
3	-----	Engine, Briggs Model 31P777 (Order parts from engine Manufacturer)
4	137352	Muffler
13	165291	Muffler Gasket
14	148456	Tube Drain oil
23	169837	Shield Heat
29	137180	Kit Spark Arrestor (Flat Scrn)
31	179022	Tank Fuel 4.0 Rear
32	179124X428	Cap Asm Fuel
33	123487X	Clamp Hose Black
37	8543R	Line Fuel
38	181654	Plug Drain Oil Easy

KEY NO.	PART NO.	DESCRIPTION
41	139277	Stem Tank Fuel
45	17000612	Screw Hexwsh Thdr 3/8-16 x 3/4
72	183906	Screw 5/16-18 x 1
78	17060620	Screw 3/8-16 x 1-1/4
81	73510400	Nut Keps Hex 1/4-20 unc
112	3645J	Bushing

NOTE: All component dimensions given in U.S. inches
1 inch = 25.4 mm
For engine service and replacement parts, call the toll free number for your engine manufacturer listed below:

Briggs & Stratton	1-800-233-3723
Kohler Co.	1-800-544-2444
Tecumseh Products	1-800-558-5402
Honda Engines	1-800-426-7701
Kawasaki	1-800-460-5688

TRACTOR - - MODEL NUMBER CO18542STC
LIFT ASSEMBLY



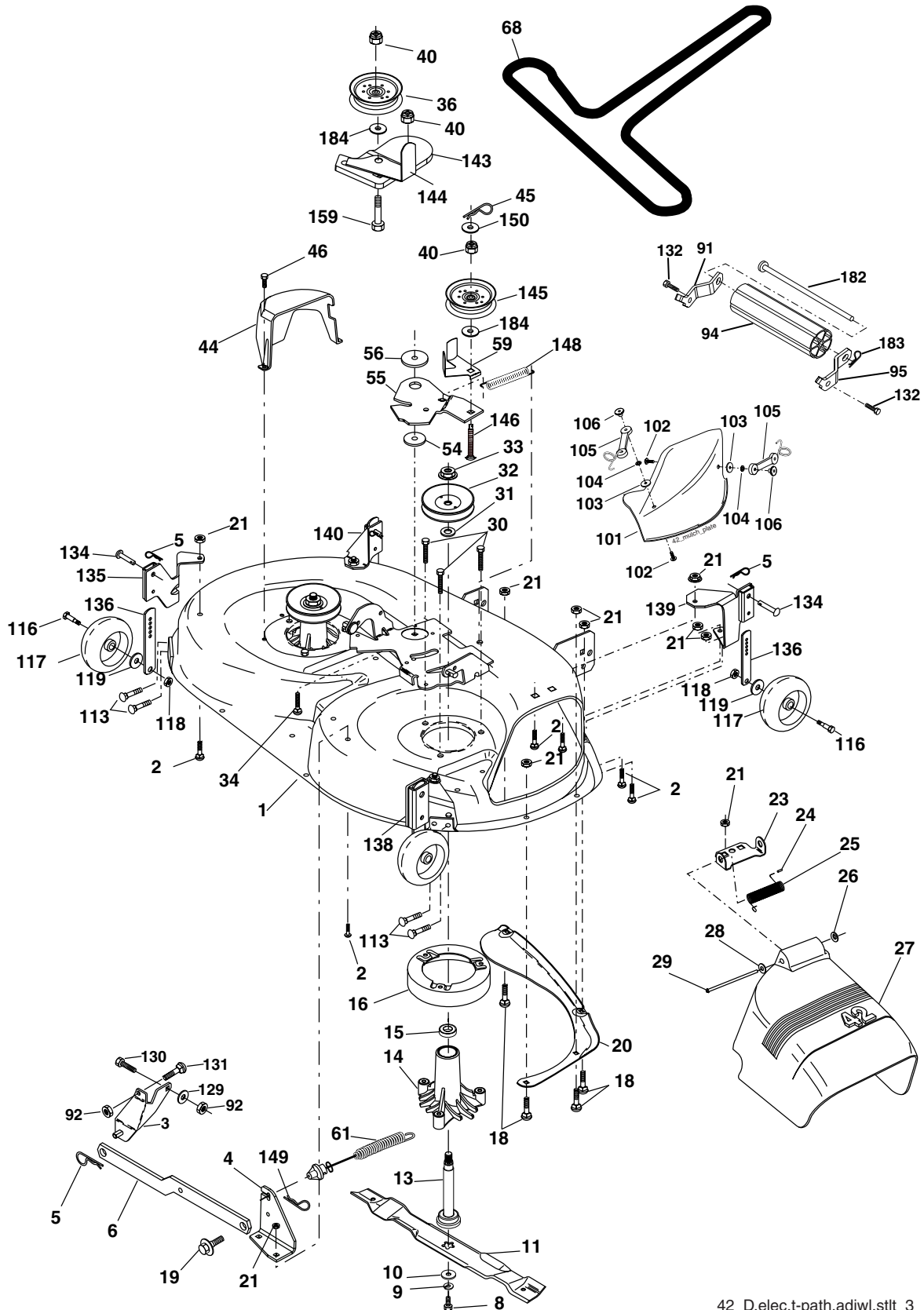
KEY PART NO.	PART NO.	DESCRIPTION
1	179504	Plunger Assembly
2	159476	Shaft Assembly, Lift
3	188822	Pin, Groove
4	12000002	E-Ring
5	19211621	Washer 21/32 x 1 x 21 Ga.
6	120183X	Bearing, Nylon
7	175830	Grip, Handle, Fluted
11	139865	Link, Lift, L.H.
12	139866	Link, Lift, R.H.
13	4939M	Retainer Spring
15	173288	Link, Front
16	73350800	Nut, Hex, Jam 1/2-13 unc
17	175689	Trunnion

KEY PART NO.	PART NO.	DESCRIPTION
18	73800800	Locknut, Hex, with Washer Insert 1/2-13 unc
19	139868	Arm, Suspension, Rear
20	163552	Retainer Spring
31	169865	Bearing, Pvt, Lift
32	73540600	Nut, Crownlock 3/8-24
36	155097	Pointer Height Indicator
37	123935X	Plug Hole
38	17060516	Screw 5/16-18 x 1
40	19112410	Washer 11/32 x 1-1/2 10 Ga.
41	155098	Indicator Height

NOTE: All component dimensions given in U.S. inches
 1 inch = 25.4 mm

TRACTOR - - MODEL NUMBER CO18542STC

MOWER DECK



42_D.elec.t-path.adjwl.stlt_3

TRACTOR - - MODEL NUMBER CO18542STC

MOWER DECK

KEY NO.	PART NO.	DESCRIPTION	KEY NO.	PART NO.	DESCRIPTION
1	182032	Mower Housing	94	132264	Roller Nose
2	72140506	Bolt	95	180533	Bracket Roller Nose RH
3	138017	Bracket Assembly,Sway Bar, Fr.	101	136420	Cover Mulching 42" Black
4	165460	Bracket Sway Bar 38/42"	102	71081010	Screw Truss Hd Phil10-24 x 5/8
5	4939M	Retainer Spring	103	19061216	Washer #10
6	178024	Bar Sway Deck	104	10071000	Washer Lock
8	850857	Bolt, Hex 3/8-24 x 1.25 Gr. 8	105	160793	Latch Asm Bagger
9	10030600	Washer, Lock	106	2029J	Nut Weld
10	140296	Washer, Hardened (The following blades are available)	113	17060512	Screw 5/16-18 x 3/4
11	134149	Blade, 42" Mulching STD (For mulching mowers only)	116	4898H	Bolt, Shoulder
--	139775	Blade, 42" Mulching Premium (For better wear when mulching)	117	165746	Wheel, Gauge
--	138971	Blade, 42" Hi-Lift (For bagging or discharge)	118	73930600	Nut, Crownlock 3/8-1
13	137645	Shaft Assembly, Mandrel, Vented (Incl. Key Number 6)	119	19121414	Washer 13/32 x 7/8 x 14 Ga.
14	128774	Housing, Mandrel, Vented	129	19131312	Washer 13/32 x 13/16 x 12 Ga.
15	110485X	Bearing, Ball, Mandrel	130	74780616	Bolt, Fin Hex 3/8-16 unc x 1Gr. 5
16	174493	Stripper, Mower Deck	131	72140608	Bolt Rdhd Sqnk 3/8-16 unc x 1
18	72140505	Bolt, Carriage 5/16-18 x 5/8	132	17000612	Screw Hexwsh Th
19	132827	Bolt, Shoulder	134	156941	Pin Head Rivet
20	159770	Baffle, Vortex	135	159765	Bracket Asm. Wheel Gauge Rear LH
21	73680500	Nut, Crownlock 5/16-18 unc	136	155986	Bar Adj. Gauge Wheel
23	177563	Bracket, Deflector	138	159763	Bracket Asm. Wheel Gauge Rear RH
24	105304X	Cap, Sleeve	139	159767	Bracket Asm. Wheel Gauge Front RH
25	123713X	Spring, Torsion, Deflector	140	159768	Bracket Asm. Wheel Gauge Front LH
26	110452X	Nut, Push	143	157109	Bracket Arm Idler 42"
27	130968X428	Shield, Deflector	144	173441	Keeper Belt 42" Clutch Cable
28	19111016	Washer 11/32 x 5/8 x 16 Ga.	145	173437	Pulley Idler Flat
29	131491	Rod, Hinge	146	173443	Bolt Carraige Idler
30	173984	Screw Thdrol Rolling Wsh Hd	148	169022	Spring Return Idler
31	187690	Washer, Spacer	149	165898	Retainer Spring Yellow Zinc
32	173436	Pulley, Mandrel	150	19091210	Washer 9/32 x 3/4 x 10 Ga.
33	178342	Nut, Toplock, Flanged	159	72140614	Bolt Rdhd Sqn 3/8-16 unc x 1-3/4
34	72110612	Bolt Carr Sh. 3/8-16 x 1-1/2 Gr. 5	182	179126	Rod Roller Nose
36	173438	Pulley, Idler, Flat	183	163552	Retainer Spring
40	73900600	Nut, Lock Fig. 3/8-16 unc	184	19131410	Washer 3/8
44	140088	Guard, Mandrel, L.H.	--	130794	Mandrel Assembly (Includes housing, shaft and shaft hardware only-pulley not included)
45	4497H	Retainer	--	181542	Replacement Mower, Complete (Std. Deck-Order separately mulch cover, guage wheels and nose roller components key nos. 101 - 106, 5, 116 - 119, 134, 136 and 91, 94, 95, 132, 182, 183)
46	137729	Screw, Thd. Roll 1/4-20 x 5/8			
54	178515	Washer, Hardened			
55	155046	Arm, Idler			
56	122052X	Spacer, Retainer			
59	173442	Guard, Tuv Idler			
61	174882	Spring Ext Elect Clutch			
68	174883	V-Belt			
91	180532	Bracket Roller Nose LH			
92	73800600	Locknut, Hex W/Wsh 3/8-16 unc			

NOTE: All component dimensions given in U. S. inches 1 inch = 25.4 mm