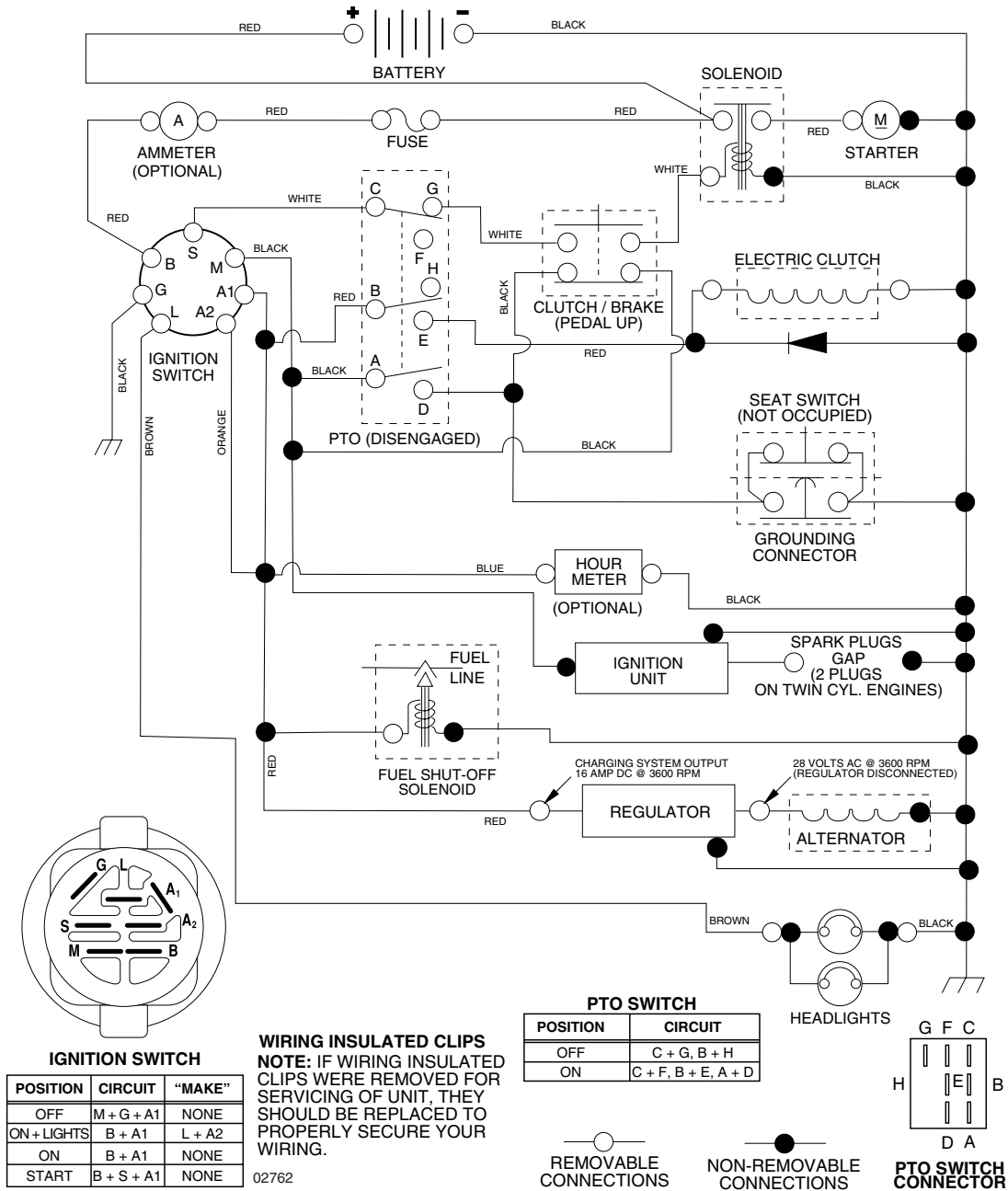


TRACTOR - - MODEL NUMBER CO24H48STA

SCHEMATIC



ELECTRICAL **TRACTOR - - MODEL NUMBER CO24H48STA**

KEY NO.	PART NO.	DESCRIPTION
1	144927	Battery
2	74760412	Bolt, Hex 1/4-20 x 3/4
8	7603J	Tray, Battery
10	145211	Bolt, Battery, Front 1/4-20 x 7-1/2
11	150109	Holddown, Battery, Front
12	145769	Nut, Push, Nylon, Battery, Front 1/4
16	176138	Switch, Interlock
21	175688	Harness, Light
22	4152J	Bulb Light #1156
24	8860R	Cable Starter
25	146148	Cable
26	175158	Fuse
27	73510400	Nut, Hex, Keps 1/4-20 unc
28	145491	Cable, Ground
29	121305X	Switch, Seat
30	175566	Switch, Ignition
33	140401	Key
40	188031	Harness, Ignition
41	17720408	Screw Thd Cut 1/4-20 x 1/2
42	131563	Cover Terminal
43	178861	Solenooid w/brass plunger
45	122822X	Ammeter
46	169635	Hourmeter
50	174653	Switch, PTO
55	17490508	Screw, Thd. Roll. 5/16-18 x 1/2
79	175242	Socket Asm Bulb Twistlock
89	169639	Bracket Snap-in

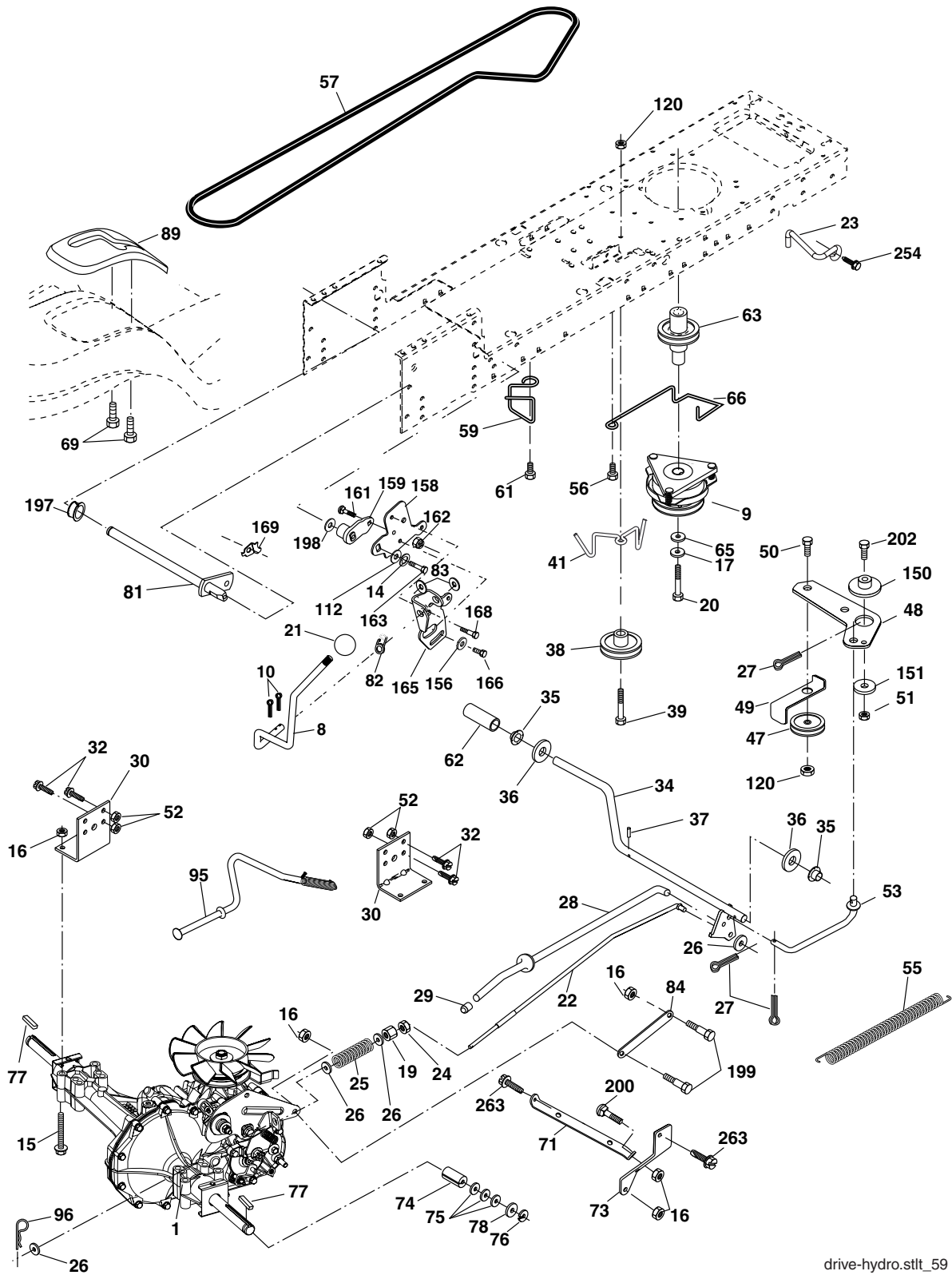
NOTE: All component dimensions given in U.S. inches
1 inch = 25.4 mm

**TRACTOR - - MODEL NUMBER CO24H48STA
CHASSIS AND ENCLOSURES**

KEY NO.	PART NO.	DESCRIPTION
1	174619	Chassis
2	176554	Drawbar
9	187934X428	Dash
10	72140608	Bolt RDHD SQNK 3/8-16 x 1
11	167203	Panel, Dash, LH
13	188702X010	Panel, Dash, RH
14	17490608	Screw Thdrol 3/8-16 x 1/2
17	175260X428	Hood Assembly
20	162026	Plate Battery
26	73800600	Locknut, Hex, with Insert 3/8-16 unc
28	175289X428	Grille
29	161840	Lens, Bar
30	188572X428	Fender/Footrest
31	139976	Bracket, Fender/Support
37	17490508	Screw, Thdrol. 5/16-18 x 1/2 TYT
38	175710	Bracket Asm Pivot Mower Rear
54	161464	Screw Hex Wshd 8-18 x 7/8
58	175351	Duct Hood
59	187495	Bushing 1.375 OD
60	72140606	Bolt Rdhd Sqnk 3/8-16 unc x 3/4
64	174997	Dash Lower
74	73680600	Nut Crownlock 3/8-16 unc
90	124346X	Nut Self Thrd Wshd 1/4 Zinc
142	175702	Plate Reinforcement
143	186689	Bracket Swaybar Chassis
144	175582	Bracket Footrest
145	156524	Rod Pivot Chassis/Hood
154	161897	Bracket Dash Rh
155	161900	Bracket Dash Lh
158	162037	Parking Brake Bkrt
159	179950X428	Cupholder
161	164655	Bumper Extrusion .600 x 3.50
166	191611	Screw 10 x 3/4 Single Lead Hex
209	17000612	Screw Hexwsh Thdr 3/8-16 x 3/4
213	169847X428	Skirt Grille RH
214	169848X428	Skirt Grille LH
217	179132X418	Console Fuel Window

NOTE: All component dimensions given in U.S. inches
1 inch = 25.4 mm

TRACTOR - - MODEL NUMBER CO24H48STA



drive-hydro.stlt_59

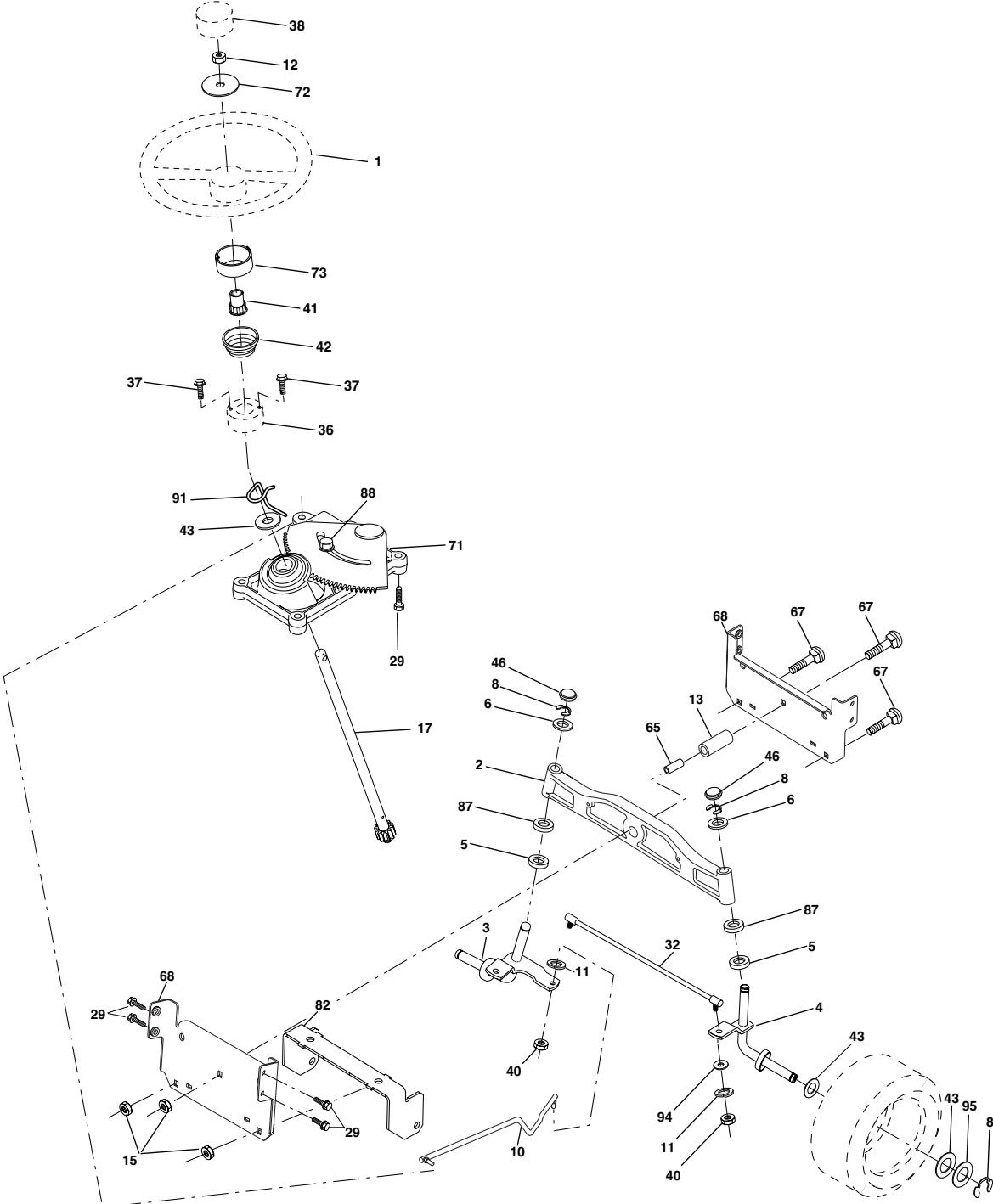
TRACTOR - - MODEL NUMBER CO24H48STA
GROUND DRIVE

KEY PART NO. NO.	DESCRIPTION	KEY PART NO. NO.	DESCRIPTION
1	---	65	10040700 Washer
	Transaxle, HydroGear, Model Number 314-0510 (Order parts from Transaxle manufacturer)	66	154778 Keeper Belt Engine
8	165866 Rod Shift Fend.	69	142432 Screw Hex Wsh Hi-Lo 1/4-1/2 unc
9	179334 Clutch Electric	71	169183 Strap Torque LH
10	76020416 Pin Cotter 1/8 x 1	73	169182 Strap Torque RH
14	10040400 Washer Lock Hvy 1/4	74	137057 Spacer, Axle
15	74490544 Bolt Hex Flghd 5/16-18 Gr. 5	75	121749X Washer 25/32 x 1-1/4 x 16 Ga.
16	73800500 Nut Lock Hex W/Ins. 5/16-18 unc	76	12000001 E-Ring
17	126197X Washer 1-1/2 OD x 15/32 ID x.250	77	123583X Key, Square
19	73800600 Nut Lock Hex W/Wsh 3/8-16 unc	78	121748X Washer 25/32 x 1-5/8 x 16 Ga.
20	173937 Bolt Hex 7/16-20 x 4 x Gr. 5-1.5	81	165596 Shaft Assy. Cross Taper
21	106933X Knob	82	165711 Spring Torsion
22	169498 Rod, Brake	83	19171216 Washer 17/32 x 3/4 x 16 Ga.
23	190736 Bracket Anti-Rotation	84	169594 Link Transaxle
24	73350600 Nut, Hex Jam 3/8-16 unc	89	188309X428 Console, Shift
25	106888X Spring, Brake Rod	95	170201 Rod Bypass
26	19131316 Washer	96	4497H Retainer Spring 1" Zinc/Cad
27	76020412 Pin Cotter 1/8 x 3/4 CAD.	116	72140608 Bolt RDHD SQNK 3/8-16 unc x 1
28	175765 Rod, Parking Brake	120	73900600 Nut Lock Fig 3/8-16 unc
29	71673 Knob Brake Parking	150	175456 Spacer Retainer
30	169592 Bracket, Transaxle	151	19133210 Washer 13/32 x 2 x 10 Ga.
32	74760512 Bolt Hex Hd 5/16-18 unc x 3/4	156	166002 Washer 5/16 ID x 1.0 x .125
34	175578 Shaft, Foot Pedal	158	165589 Bracket Shift Mount
35	120183X Bearing, Nylon	159	183900 Hub Shift
36	19211616 Washer	161	72140406 Bolt Rdhd Sqnk 1/4-20 x 3/4 Gr. 5
37	1572H Pin, Roll	162	73680400 Nut Crownlock 1/4-20 unc
38	179114 Pulley, Composite	163	74780416 Bolt Hex Fin 1/4-20 unc x 1 Gr. 5
39	72110622 Bolt Rdhd 3/8-16 unc x 2-3/4 Gr. 5	164	19091210 Washer 9/32 x 3/4 x 10 Ga.
41	175556 Keeper, Belt Idler Flat	165	165623 Bracket Pivot Lever
47	127783 Pulley, Idler, V-Groove	166	17490510 Screw 5/16-18 x 5/8
48	154407 Bellcrank Clutch Grnd Drw Stl	168	165492 Bolt Shoulder 5/16-18 x .561
49	123205X Retainer, Belt	169	165580 Plate Fastener Cross Shf.
50	72110612 Bolt	197	169613 Nyliner Snap-in 5/8 ID
51	73680600 Nut Crownlock 3/8-16 unc	198	169593 Washer Nyl 7/8 ID x .105"
52	73680500 Nut, Crownlock 5/16-18 unc	199	169612 Bolt Shoulder 5/16-18 unc
53	105710X Link, Clutch	200	72140508 Bolt Rdhd Sqnk 5/16-18 unc x 1
55	105709X Spring, Return, Clutch	202	72110614 Bolt Carr Sh 3/8-16 x 1-3/4 Gr. 5
56	17060620 Screw 3/8-16 x 1-1/4	212	145212 Nut HexFlange Lock
57	140294 V-Belt, Ground Drive	254	17000616 Screw 3/8-16 x 1
59	169691 Keeper, Center Span	271	17000612 Screw 3/8-16 x .75
61	17120614 Screw 3/8-16 x .875		
62	123533X Cover, Pedal		
63	174607 Pulley, Engine		

NOTE: All component dimensions given in U.S. inches
1 inch = 25.4 mm

TRACTOR - - MODEL NUMBER CO24H48STA

STEERING ASSEMBLY



steering_stealth_prem_10

**TRACTOR - - MODEL NUMBER CO24H48STA
STEERING ASSEMBLY**

KEY NO.	PART NO.	DESCRIPTION
1	159944X428	Wheel Steering
2	184706	Axle Asm
3	169840	Spindle Asm LH
4	169839	Spindle Asm RH
5	6266H	Bearing Race Thrust Harden
6	121748X	Washer 25/32 x 1-5/8 x 16 Ga.
8	12000029	Ring Klip #t5304-75
10	175121	Link Drag
11	10040600	Washer Lock Hvy Hlcl Spr 3/8
12	73940800	Nut Hex Jam Toplock 1/2-20 unf
13	136518	Spacer Bearing Axle Front
15	145212	Nut Hex Flange Lock
17	177883	Shaft Asm. Steering
29	17000612	Screw 3/8-16 x 3/4
32	180580	Rod Tie
34	10040600	Washer Lock Hlcl Spr 3/8
36	155105	Bushing Strg
37	152927	Screw
38	159946X428	Insert Cap Strg Wh
39	19182411	Washer 9/16 ID x 1-1/2 OD 11Ga.
40	73540600	Nut Crownlock 3/8-24
41	159945	Adaptor Wheel Strg
42	163888X428	Boot Steering
43	121749X	Washer 25/32 1 1/4 x 16 Ga.
46	184946X505	Cap Spindle
65	160367	Spacer Brace Axle
67	72110618	Bolt, Rdhd Sq 3/8-16 unc x 2-1/4
68	169827	Axle, Brace
71	175146	Steering Asm.
73	160135X428	Extension Steering Stealth
82	169835	Bracket Susp. Chassis Front
87	173966	Washer Flat .781 x 1-1/2 x .15
88	175118	Bolt Shoulder 7/16-20 unc
91	175553	Clip Steering
94	19121414	Washer 3/8 x 7/8 x 14 Ga.
95	188967	Washer Harden .793 x 1.637 x .060

NOTE: All component dimensions given in U.S. inches
1 inch = 25.4 mm

TRACTOR - - MODEL NUMBER CO24H48STA

ENGINE

KEY NO.	PART NO.	DESCRIPTION
1	175437X428	Control Throttle
2	171875	Screw Hwhd Hi-Lo #13-16 x 3/4
3	-----	Engine, Briggs Model 445777 (Order parts from engine manufacturer)
4	149723	Muffler Asm Twin Lo-Tone
5	159955	Pipe Exhaust LH Intek
6	160589	Pipe Exhaust RH Intek
8	171877	Bolt 5/16-18 Unc x 3/4 w/Sems
10	162797	Shield Browning Intek II
13	165391	Muffler Gasket
14	148456	Tube Drain oil
17	17060624	Screw Thdrol 3/8-16 x 1-1/2
23	169837	Shield Heat
25	187767X428	Choke Control
29	137180	Kit Spark Arrestor (Flat Scrn)
31	179022	Tank Fuel 4.0 Rear
32	179124X428	Cap Asm Fuel
33	123487X	Clamp Hose Black
37	8543R	Line Fuel
38	181654	Plug Drain Oil Easy
41	139277	Stem Tank Fuel
45	17000612	Screw Hexwsh Thdr 3/8-16 x 3/4
72	183906	Screw 5/16-18 x 1
81	73510400	Nut Keps Hex 1/4-20 unc
112	3645J	Bushing

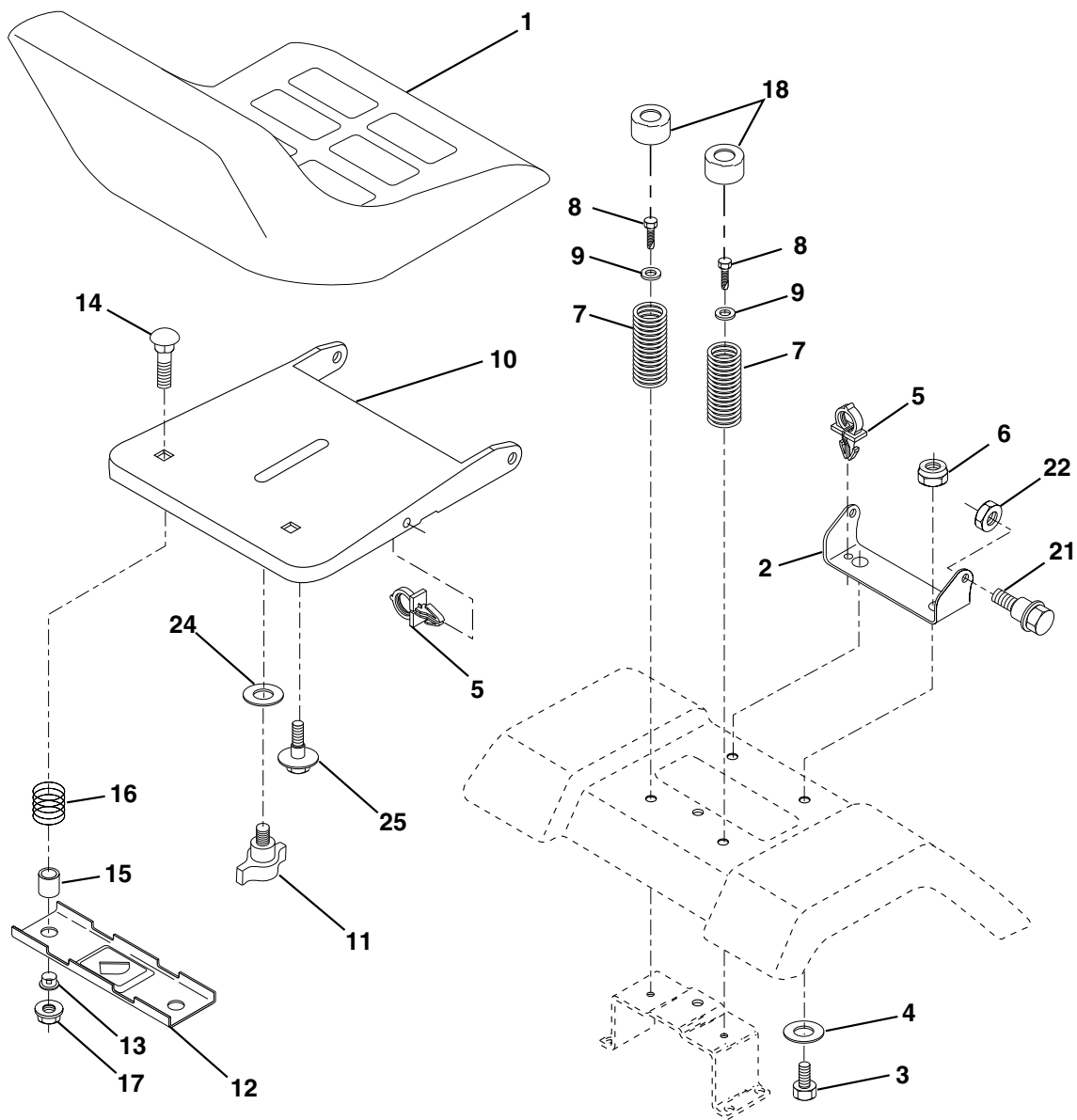
NOTE: All component dimensions given in U.S. inches
1 inch = 25.4 mm

For engine service and replacement parts, call the toll free number for your engine manufacturer listed below:

Briggs & Stratton	1-800-233-3723
Kohler Co.	1-800-544-2444
Tecumseh Products	1-800-558-5402
Honda Engines	1-800-426-7701
Kawasaki	1-800-460-5688

TRACTOR - - MODEL NUMBER CO24H48STA

SEAT ASSEMBLY



seat_it.knob_2

KEY PART NO. NO.

KEY PART NO.	NO.	DESCRIPTION
1	189022	Seat
2	140551	Bracket Pivot Seat
3	71110616	Bolt Fin Hex 3/8-16 unc x 1
4	19131610	Washer 13/32 x 1 x 10 Ga
5	145006	Clip Push-In
6	73800600	Nut Hex w/Ins. 3/8-16 unc
7	124181X	Spring Seat Cprsn
8	17000616	Screw 3/8-16 x 1-1/2
9	19131614	Washer 13/32 x 1 x 14 Ga.
10	182493	Pan Seat
11	166369	Knob Seat Adj. Wingnut
12	121246X	Bracket Mounting Switch

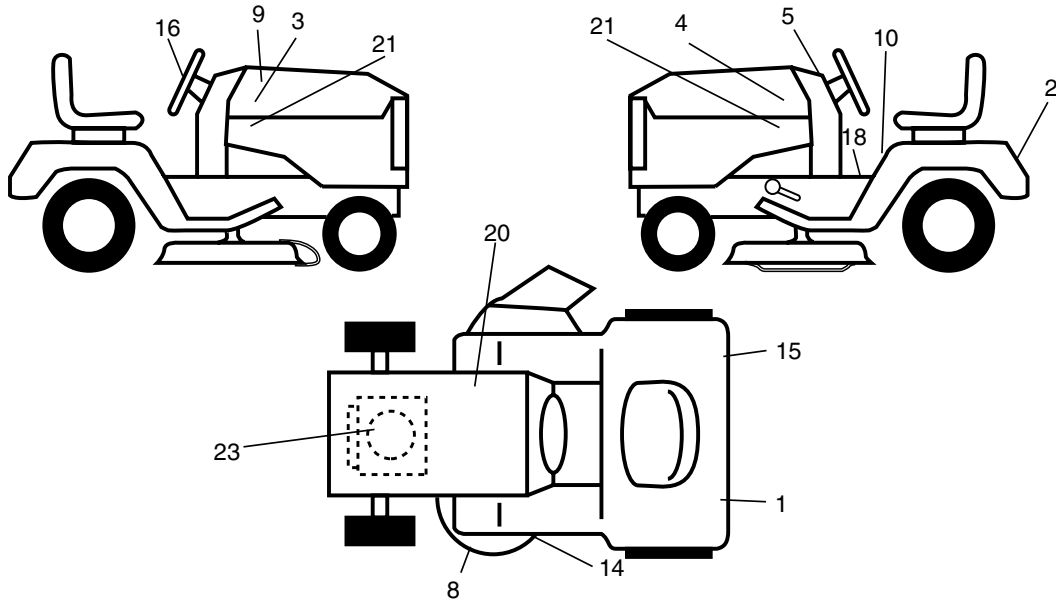
KEY PART NO. NO.

KEY PART NO.	NO.	DESCRIPTION
13	121248X	Bushing Snap Blk Nyl 50 Id
14	72050412	Bolt Rdhd Sqnk 1/4-20 x 1-1/2
15	121249X	Spacer Split 28x .88 Zinc
16	123740X	Spring Cprsn Plate 1.310 Ga
17	123976X	Nut Lock 1/4 Lge Flg Gr. 5 Zinc
18	124238X	Cap Spring Seat
21	171852	Bolt Shoulder 5/16-18 unc
22	73800500	Nut Hex Lock W/Ins 5/16-18
24	19171912	Washer 17/32 x 1-3/16 x 12 Ga.
25	127018X	Bolt Shoulder 5/16-18 x 62

NOTE: All component dimensions given in U.S. inches
1 inch = 25.4 mm

TRACTOR - - MODEL NUMBER CO24H48STA

DECALS



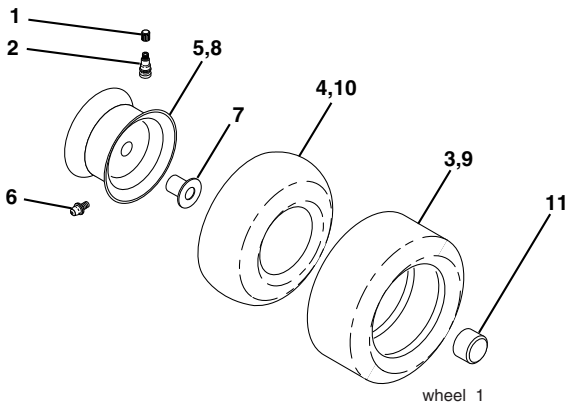
KEY PART NO. NO.

KEY PART NO.	PART NO.	DESCRIPTION
1	187407	Reflector, LH
2	172740	Decal, Fender
3	176272	Decal, Hood RH
4	176273	Decal, Hood LH
5	191648	Decal, DSHINS
8	178455	Decal, Deck, Caution
9	185441	Decal, Replacement Hood
10	157141	Decal, Fender, Danger
14	175291	Decal, V-Belt, Schematic
15	187408	Decal, Reflector, RH

KEY PART NO. NO.

KEY PART NO.	PART NO.	DESCRIPTION
16	172743	Decal, Steering Wheel
18	156811	Decal, Fender Opr.
20	145005	Decal, Battery
21	191659	Decal, Hood, Side Panel
23	191652	Decal, Engine
--	184310X428	Pad, Footrest, ST/LT, LH
--	184311X428	Pad, Footrest, ST/LT, RH
--	166960	Decal By-Pass
--	191697	Manual, Owner's, English
--	191698	Manual, Owner's, Spanish

WHEELS & TIRES

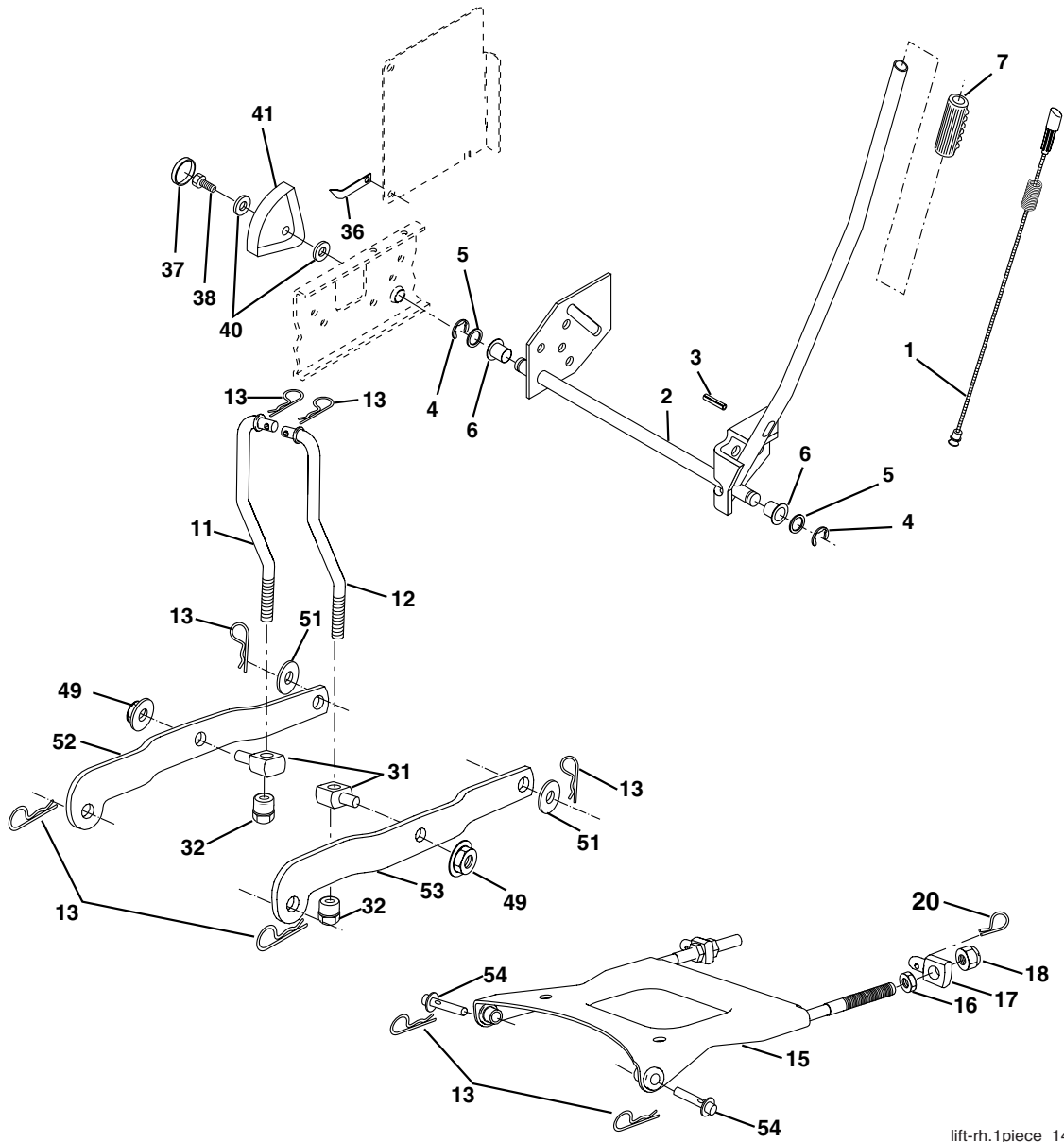


KEY PART NO. NO.

KEY PART NO.	PART NO.	DESCRIPTION
1	59192	Cap Valve Tire
2	65139	Stem Valve
3	106222X	Tire F Ts 15 x 6 0 - 6 Service
4	59904	Tube Front (Service Item Only)
5	106732X421	Rim Asm 6"front Service
6	278H	Fitting Grease (Front Wheel Only)
7	9040H	Bearing Flange (Front Wheel Only)
8	106108X421	Rim Asm 8"rear Service
9	122082X	Tire R Ts 20 x 10-8 C Service
10	7152J	Tube Rear (Service Item Only)
11	104757X421	Cap Axle 1 50 x 1 00
--	144334	Sealant, Tire (10 oz. Tube)

NOTE: All component dimensions given in U.S. inches
1 inch = 25.4 mm

TRACTOR - - MODEL NUMBER CO24H48STA
LIFT ASSEMBLY



lift-rh.1piece_14

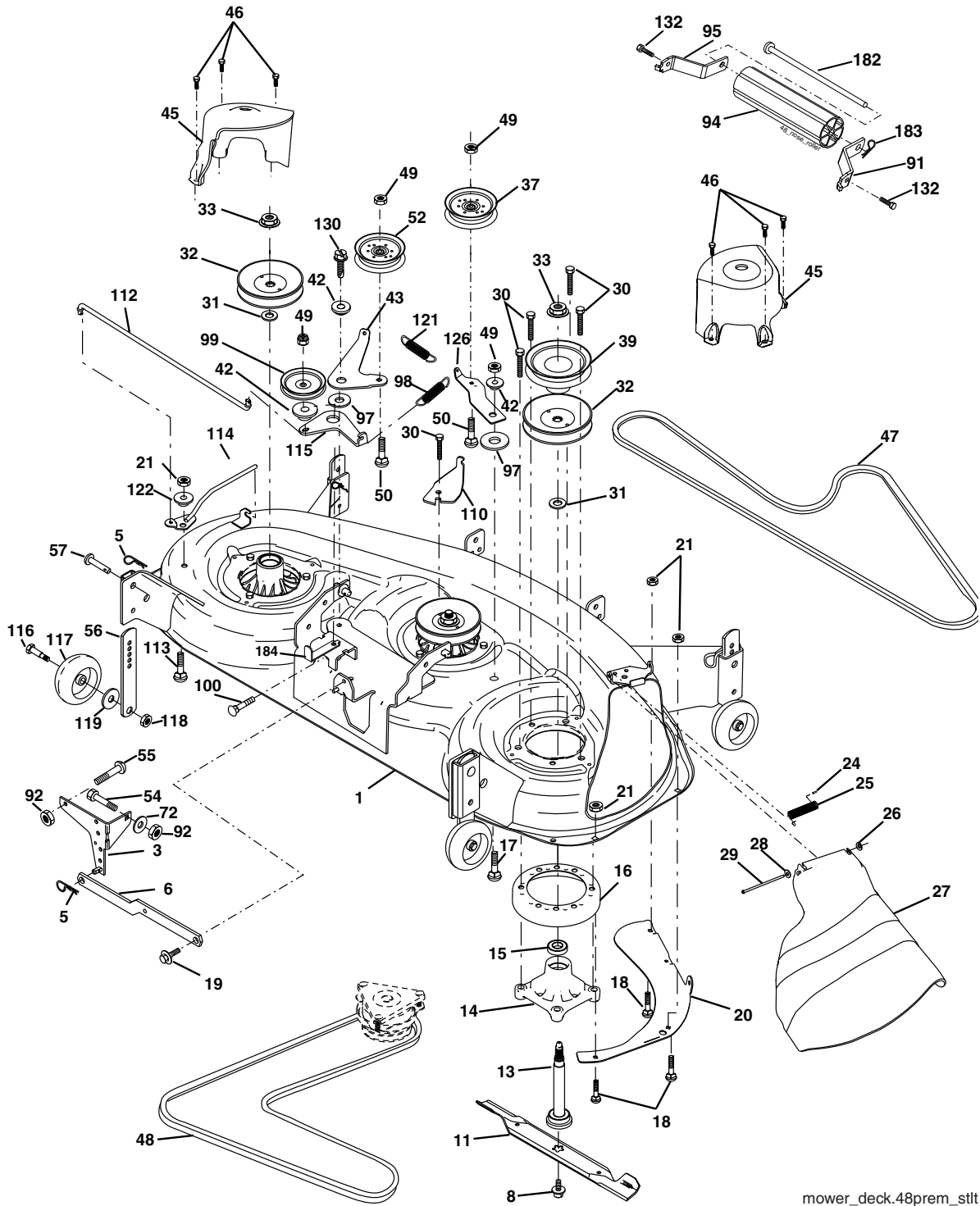
TRACTOR - - MODEL NUMBER CO24H48STA
LIFT ASSEMBLY

KEY NO.	PART NO.	DESCRIPTION
1	179504	Plunger Assembly
2	159476	Shaft Assembly, Lift
3	188822	Pin, Groove
4	12000002	E-Ring
5	19211621	Washer 21/32 x 1 x 21 Ga.
6	120183X	Bearing, Nylon
7	175830	Grip, Handle, Fluted
11	175370	Link, Lift, L.H.
12	175371	Link, Lift, R.H.
13	4939M	Retainer Spring
15	175562	Plate Asm Suspension Front
16	73350800	Nut Hex Jam 1/2-13 unc
17	175689	Trunnion Front Susp.
18	73800800	Nut Lock w/Wsh 1/2-13 unc
20	163552	Retainer Spring
31	176205	Trunion Sups. Arm.
32	175994	Nut Lift Link 7/16-20
36	155097	Pointer Height Indicator
37	123935X	Plug Hole
38	17060516	Screw 5/16-18 x 1
40	19112410	Washer 11/32 x 1-1/2 x 10 Ga.
41	155098	Indicator Height Stlt
49	145212	Nut Hex/Large Lock
51	19171416	Washer 17/32 x 7/8 x 16 Ga.
52	175378	Arm Suspension Rear LH
53	175802	Arm Suspension Rear RH
54	175560	Pin Flange

NOTE: All component dimensions given in U.S. inches
1 inch = 25.4 mm

TRACTOR - - MODEL NUMBER CO24H48STA

MOWER DECK



mower_deck.48prem_stlt

TRACTOR - - MODEL NUMBER CO24H48STA

MOWER DECK

KEY NO.	PART NO.	DESCRIPTION	KEY NO.	PART NO.	DESCRIPTION
1	180358	Deck Weldment Mower 48	54	74780616	Bolt Fin Hex 3/8-16 unc x 1 Gr. 5
3	138017	Bracket Asm., Sway Bar	55	72140608	Bolt Rdhd Sqnk 3/8-16 unc x 1
5	4939M	Retainer Spring	56	155986	Bar Pnt Adj.
6	178024	Bar Sway Deck	57	156941	Pin Head Rivet
8	174365	Bolt 7/16 Asm. Blade (The following blades are available)	72	19131312	Washer 13/32 x 13/16 x 12 Ga.
11	173921	Blade, 48" Mulching (For mulching mowers only)	91	180535	Bracket Asm Noseroller RH
--	180054	Blade, 48" Hi-Lift (For bagging and discharging)	92	73800600	Nut Lock Hex w/Ins 3/8-16 unc
13	174360	Shaft Mandrel Asm. Greaseable	94	176066	Noseroller
14	174358	Housing Mandrel	95	180534	Bracket Asm Noseroller LH
15	110485X	Bearing, Ball, Mandrel	97	178515	Washer Hardened
16	174493	Stripper Mandrel Deck	98	179479	Spring Primary Drive
17	72110610	Bolt RDHD Sq Neck 3/8-16 x 1.25	99	184058	Pulley Idler"V"
18	72140505	Bolt, Carriage 5/16-18 x 5/8	100	72110616	Bolt RDHD Sqnk 3/8-16 unc x 2
19	132827	Bolt, Hex Hd, Shoulder 5/16-18	110	175016	Arm Spring Secondary
20	174378	Baffle, Vortex Mower	112	174387	Link Tension Relief Lever
21	73680500	Nut, Crownlock 5/16-18 unc	113	72110506	Bolt Carr. 5/16-18 x 3/4
24	105304X	Cap, Sleeve	114	174384	Tension Asm Relief Lever
25	178102	Spring, Torsion	115	174609	Arm Spring Tension Relief
26	110452X	Nut, Push	116	184219	Bolt, Shoulder
27	180655X428	Deflector Shield	117	174873	Gauge Wheel
28	19111016	Washer 11/32 x 5/8 x 16 Ga.	118	73930600	Nut, Centerlock 3/8-16 unc
29	131491	Rod, Hinge	119	19121414	Washer 3/8 x 7/8 x 14 Ga.
30	173984	Screw, Thdroll	121	174371	Spring Secondary Drive
31	187690	Washer, Spacer Mower Vented	122	174606	Bushing Pivot Tension Relief
32	173436	Pulley, Mandrel	126	174372	Arm, Idler, Primary Deck
33	178342	Nut, Flg. Top Lock Cntr. 9/16	130	17000616	Screw 3/8-16 x 1
37	177968	Pulley, Idler	132	17000612	Screw 3/8-16 x .75
39	174375	Pulley, Idler, Driven	182	179127	Rod Roller Nose
42	122052X	Spacer, Retainer	183	163552	Retainer Spring
43	174373	Arm, Idler Secondary	184	173979	Keeper Belt Idler
45	180806	Cover, Mandrel Deck	--	174356	Mandrel Asm. Service (Includes Key Nos. 13-15)
46	137729	Screw, Thdroll. 1/4-20 x 5/8	--	180939	Replacement Mower, Complete (Std. Deck - Order separately nose roller components key nos. 91, 94, 95, 132, 182, and 183)
47	180808	V-Belt, Mower, Secondary			
48	174368	V-Belt, Mower, Primary			
49	73900600	Nut, Crownlock 3/8-16 unc			
50	72110612	Bolt, Carr. 3/8-16 x 1-1/2 Gr. 5			
52	175820	Pulley Idler Flat			

NOTE: All component dimensions given in U.S. inches
1 inch = 25.4 mm