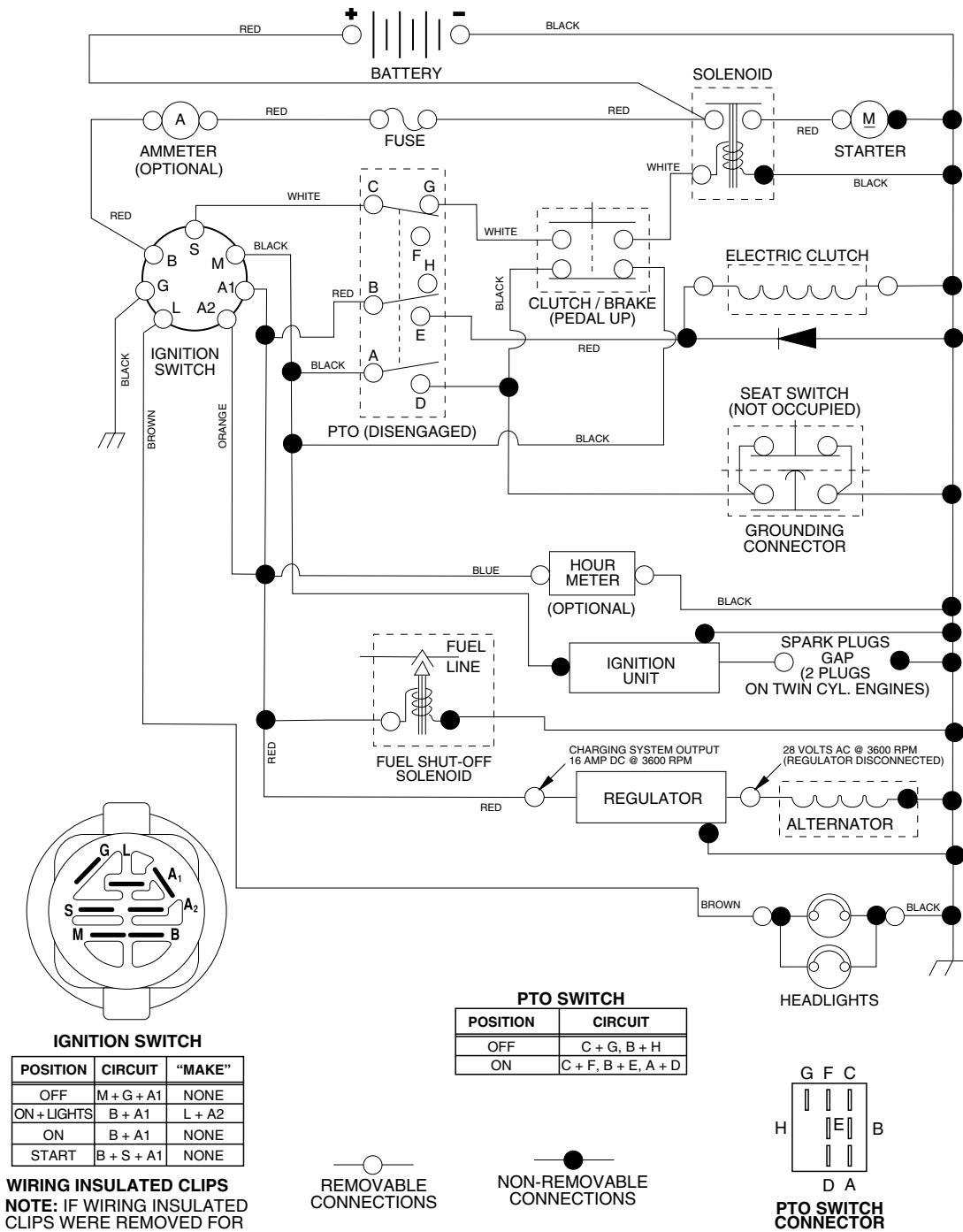


# TRACTOR - - MODEL NUMBER COGT22H48A

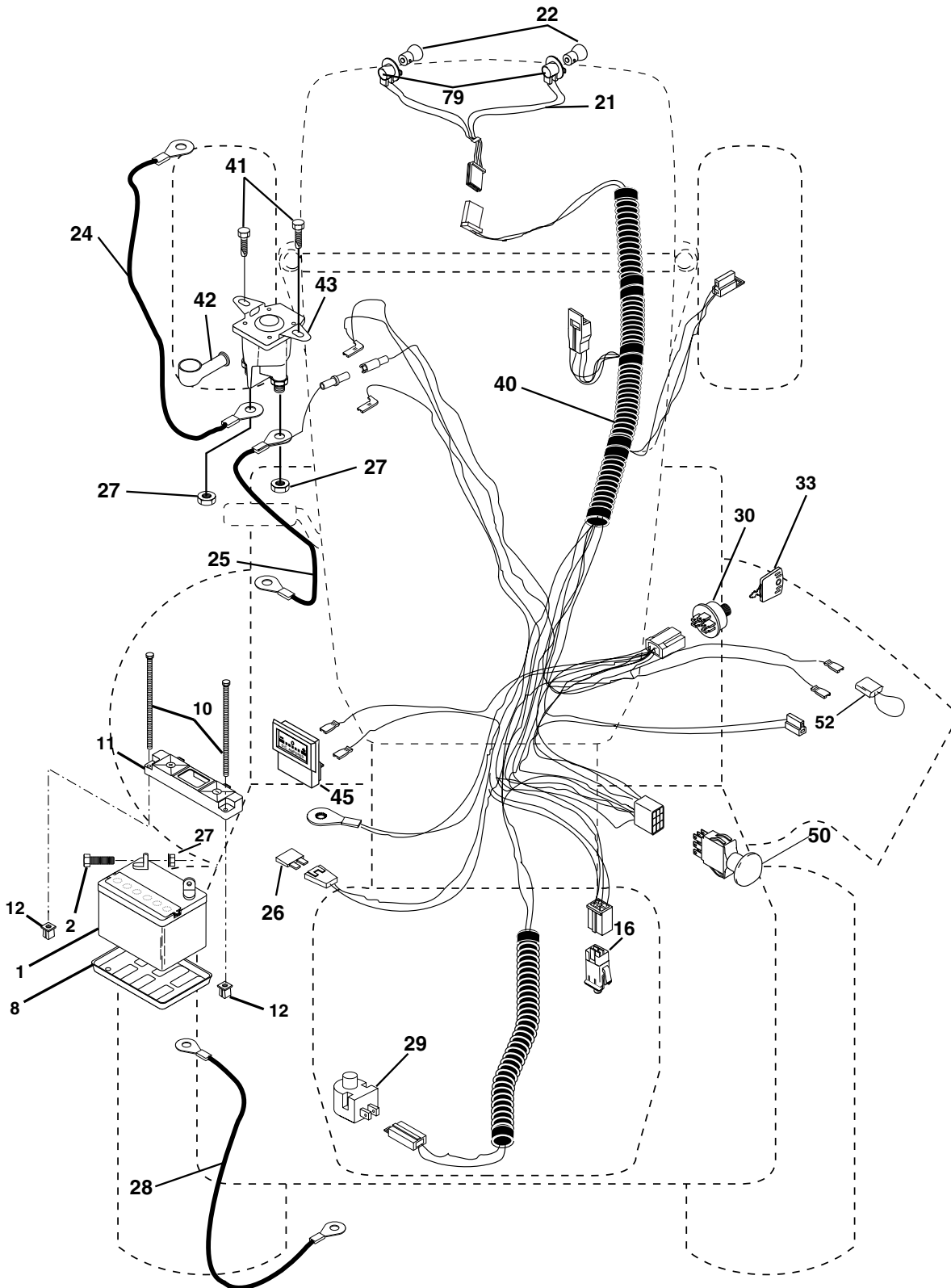
## SCHEMATIC



# REPAIR PARTS

TRACTOR - - MODEL NUMBER COGT22H48A

ELECTRICAL



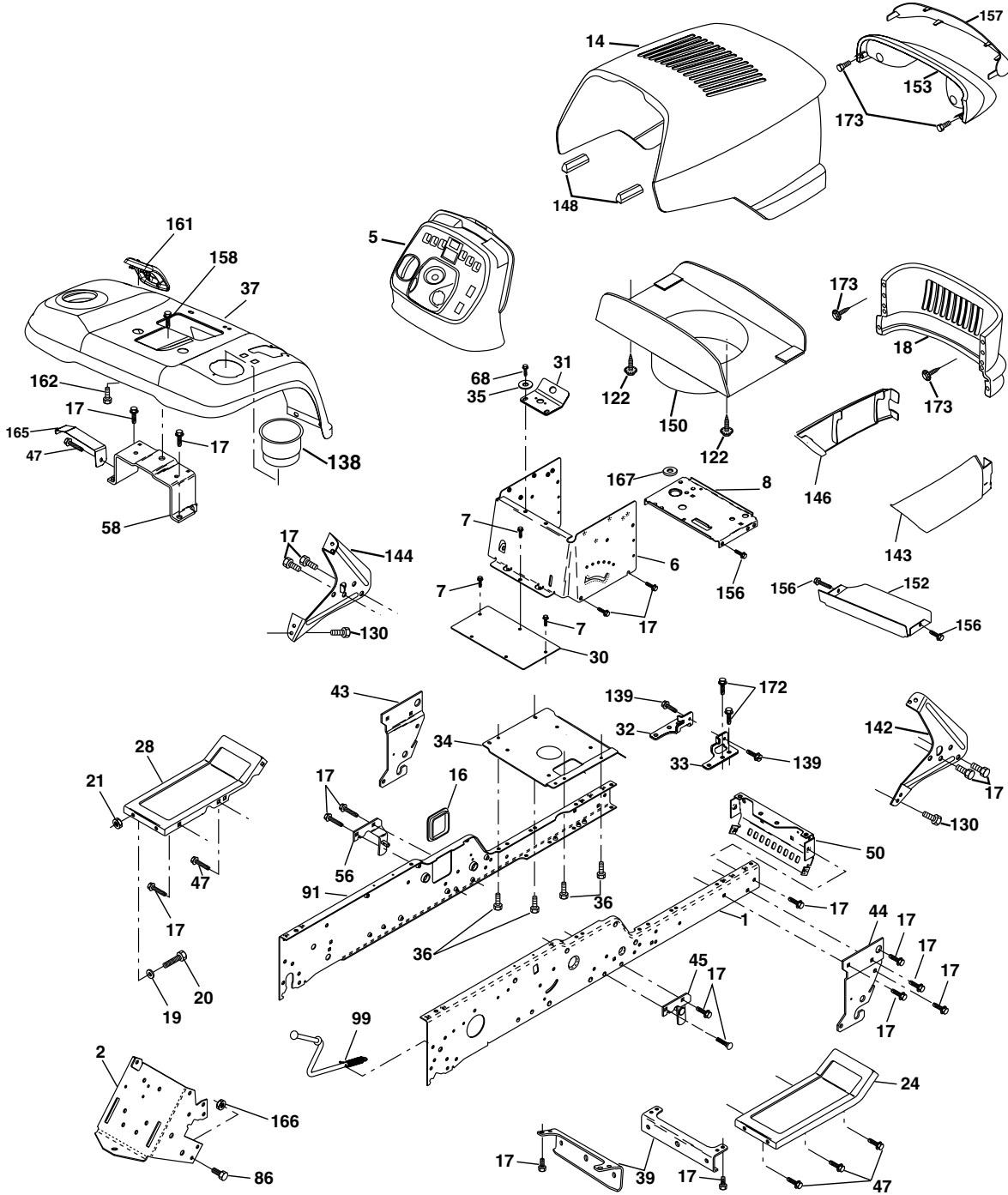
# ELECTRICAL

## TRACTOR - - MODEL NUMBER COGT22H48A

KEY NO.	PART NO.	DESCRIPTION
1	144927	Battery
2	74760412	Bolt Hex Head 1/4-20 x 3/4
8	7603J	Tray, Battery
10	145211	Bolt 1/4-20 x 7.5 Zinc
11	150109	Hold down Battery Dash Mount
12	145769	Nut Push Nylon 1/4"
16	176138	Switch Interlock
21	175688	Harness Socket Light W/4152J
22	4152J	Bulb Light
24	185464	Cable Battery
25	146149	Cable Battery
26	108824X	Fuse
27	73510400	Nut Keps Hex 1/4-20 Unc
28	170697	Cable, Ground
29	121305X	Switch, Plunger
30	175566	Switch, Ign
33	140401	Key, Ignition
40	188032	Harness Ign.
41	17720408	Screw Thd Cut 1/4-20 x 1/2
42	131563	Cover, Terminal
43	178861	Solenoid
45	122822X	Ammeter
50	174653	Switch, PTO
52	141940	Protection Wire Loop
79	175242	Socket Asm. Bulb

**NOTE:** All component dimensions given in U.S. inches  
1 inch = 25.4 mm

**TRACTOR - - MODEL NUMBER COGT22H48A**  
**CHASSIS AND ENCLOSURES**



chassis-stealth\_42

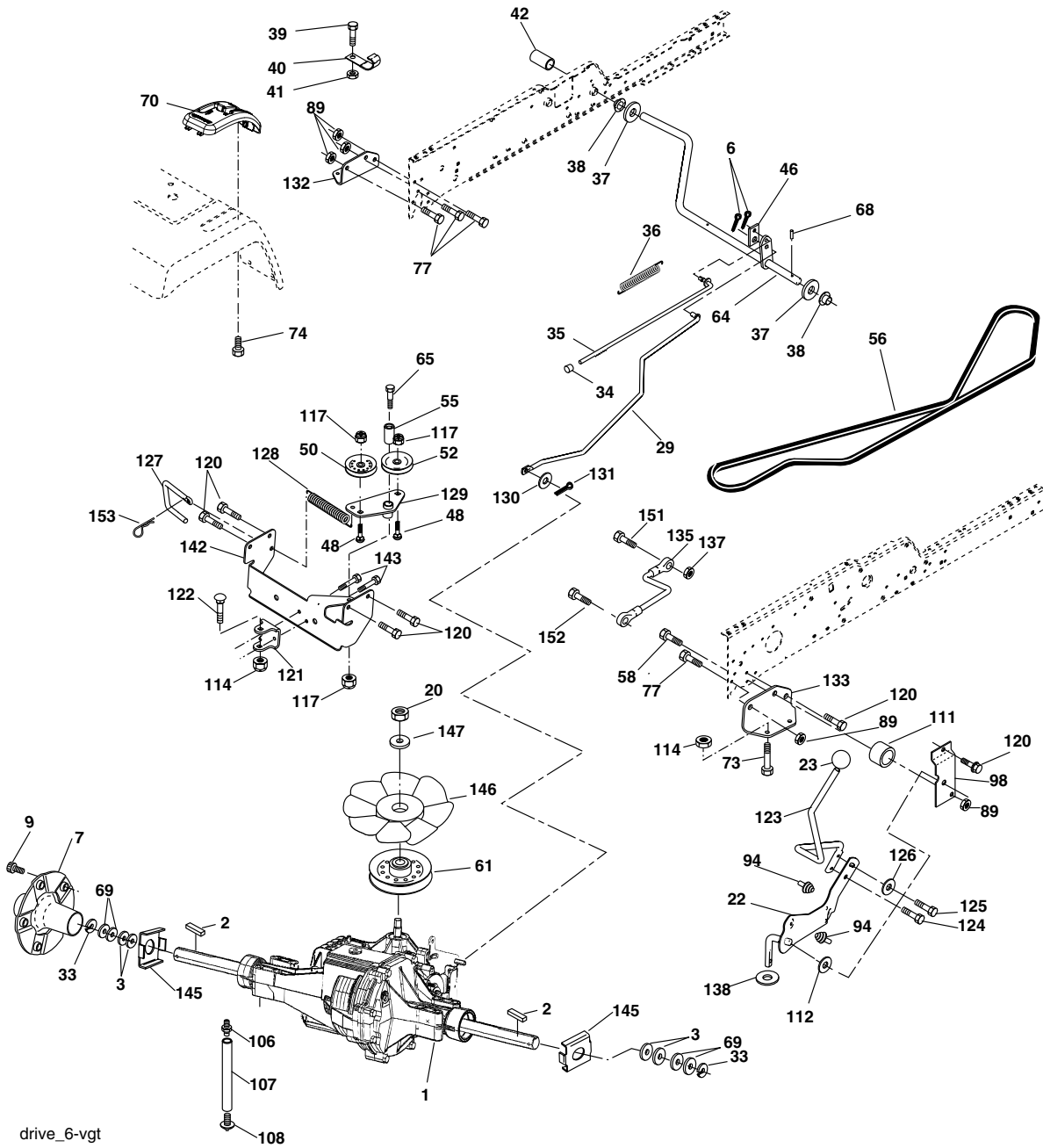
**TRACTOR - - MODEL NUMBER COGT22H48A**  
**CHASSIS AND ENCLOSURES**

KEY NO.	PART NO.	DESCRIPTION
1	180375	Rail, Frame RH
2	175282	Drawbar, Gt
5	187934X428	Dash
6	157882	Dash, Lower Vgt One Piece
7	17720408	Screw, Thd Cut 1/4-20 x 1/2
8	184668	Support, Battery
14	175260X428	Hood Asm
16	121794X	Cover, Access
17	17000612	Screw 3/8-16 x .75
18	175289X428	Grille
19	19131312	Washer 13/32x13/16 x 12 Ga.
20	74780616	Bolt, Fin Hex 3/8-16 x 1
21	73800600	Nut Crownlock 3/8-16 unc
24	179717X428	Footrest, RH
28	179716X428	Footrest, LH
30	145052	Saddle, Hydro
31	161419	Brace, Supt 1-pc VGT
32	161327	Bracket, Pivot Chassis Lh
33	161326	Bracket, Pivot Chassis Rh
34	177018	Plate Asm Engine
35	19111116	Washer 11/32 x 11/16 x 16 Ga.
36	17060512	Screw 5/16-18 x 3/4
37	178510X428	Fender Pnt
39	175278	Bracket, Axle Front
43	136939	Bracket, Spnsn Front Lh
44	136940	Bracket, Spnsn Front Rh
45	176018	Bracket Asm., Susp Chas.Rh
47	17490608	Screw Thdrol. 3/8-16 x 1/2
50	175476	Bracket, Chassis Front
56	176016	Bracket Asm., Susp Chas. Lh
58	183569	Bracket Asm., Fender
68	17490508	Screw Thdrol. 5/16-18 x 1/2
86	74780716	Bolt Fin Hex 7/16-14 unc x 1
91	180374	Rail, Frame Lh
99	177143	Rod By Pass
122	161464	Screw Hex Wshd 8-18 x 7/8
130	171875	Screw Hwhd Hi-Lo #13-16 x 3/4
138	179125X428	Cup Holder
139	171873	Bolt Shoulder 5/16-18 TT
142	161897	Bracket Dash Rh
143	169847X428	Skirt Grille Rh
144	161900	Bracket Dash Lh
146	169848X428	Skirt Grille Lh
148	164655	Extrusion Bumpers
150	175352	Duct Heat Hood
152	177956	Shield Browning
153	179761	Lens Asm. (Includes Key Nos. 153 and 157)
156	17000512	Screw 5/16-18 x 3/4
157	161840	Lens Bar
158	17670608	Screw Thdrol 3/8-16 x 1/2
161	179612X428	Console Fuel Window
162	142432	Screw Hex 1/4-1/2 unc
165	183554	Bracket Support Tank
166	73680700	Nut 7/16-14
167	184672	Bushing-Snap Nylon
172	17120614	Screw 3/8-16 x .875
173	191611	Screw 10 x 3/4 Single Lead-Hex

**NOTE:** All component dimensions given in U. S.  
inches 1 inch = 25.4 mm

# TRACTOR - - MODEL NUMBER COGT22H48A

## GROUND DRIVE



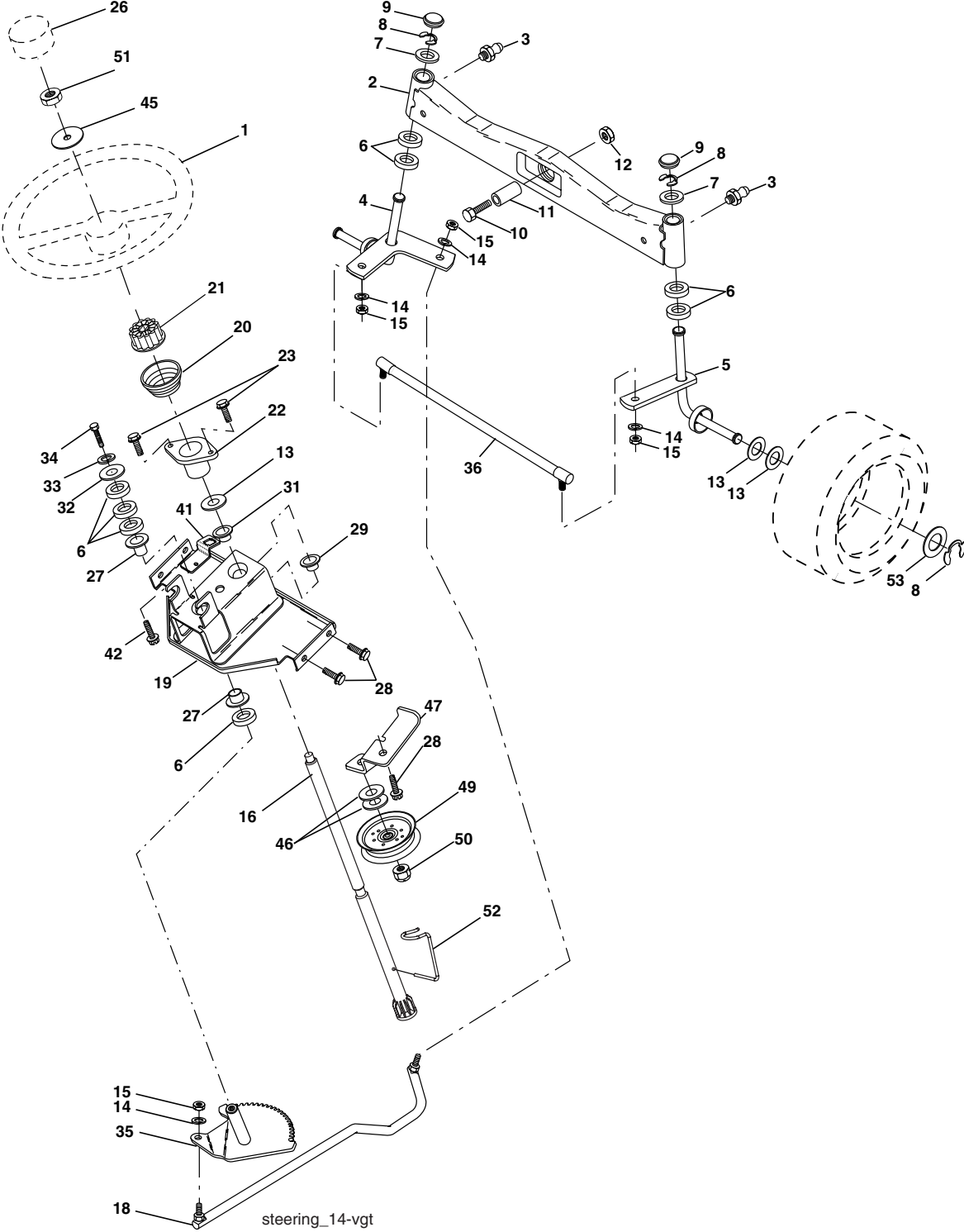
## TRACTOR - - MODEL NUMBER COGT22H48A

### GROUND DRIVE

KEY NO.	PART NO.	DESCRIPTION	KEY NO.	PART NO.	DESCRIPTION
1	-----	Transaxle Hydro Gear 331-3000 (Order Parts from transaxle manf.)	89	73680700	Nut Crownlock 7/16-14 unc
2	7070E	Key 1/4 x 2.5	94	133835	Fastener Christmas Tree
3	7563R	Washer Thrust	98	141004	Bracket Shift
6	76020412	Pin, Cotter	106	142918	O-Ring Asm Hydro Gear
7	140507	Wheel, Hub Assembly	107	154739	Line Fuel Hydro 15" VGT
9	140080	Bolt, Hub	108	142917	Cap Asm Vent Hydro Gear 70109
20	73940800	Nut	111	156240	Spacer Shift Lever VGTH
22	180235	Lever Asm Shift Lower	112	178558	Washer Nylon High Temp
23	140845	Knob	114	73800500	Nut Lock Hx W/Ins 5/16-18 unc
29	176600	Brake, Rod	117	73900600	Nut, Lock Flg. 3/8-16
33	12000053	Ring E	120	17000612	Screw 3/8-16 x .75
34	71673	Cap, Parking Brake	121	175611	Bracket Strap Torque
35	137648	Rod, Parking Brake	122	72010520	Bolt RDHD SQ 5/16-18 unc x 2-1/2
36	149412	Spring, Drive Ground	123	183254	Rod Shift
37	121749X	Washer 25/32 x 1-1/4 x 16 Ga.	124	165492	Bolt Shoulder 5/16-18 x .561
38	150035	Nyliner	125	17490510	Screw 5/16-18 x 5/8
39	74321016	Screw, Fin. #10-24 x 1	126	166002	Washer SRRTD 5/16ID x 1.0 x .125
40	178575	Actuator, Interlock Switch	127	177362	Link Control Clutch
41	73931000	Nut Centerlock 10-24 unc	128	176624	Spring Drive GRND
42	8883R	Cover, Pedal	129	179473	Bracket Asm Idler Tensioning
46	145170	Retainer, Spring	130	19131016	Washer 13/32 x 5/8 x 16 Ga.
48	72110614	Bolt, 3/8-16 x 1-3/4 Gr. 5	131	76020312	Pin Cotter 3/32 x 3/4
50	131494	Pulley, Idler, Flat	132	175467	Bracket Mtg Hydro 3500 LH VGT
52	127783	Pulley, Idler, Grooved	133	175468	Bracket Mtg Hydro 3500 RH VGT
55	105706X	Bearing, Idler	135	177364	Link Asm Control Hydro 3500
56	161597	V-Belt	137	1685H	Nut Lock 5/16-18 NC Thd
58	74760724	Bolt Fin Hex 7/16-14 x 1-1/2	138	1370H	Washer Thrust 5/8 x 1.10 x 1/32
61	143995	Pulley, Transaxle	142	175469	Strap Torque HG-3500
64	176601	Shaft, Clutch/Brake Pedal	143	17000512	Screw Thdrol 5/16-18 x 3/4
65	179613	Bolt, Shoulder	145	163168	Washer Axle Flange HG-3000
68	5142H	Pin, Roll	146	140462	Fan 7" Hydro
69	123800X	Washer	147	141322	Washer
70	179121X428	Console Automatic YT/GT	151	74760514	Bolt Fin Hex 5/16-18 x 7/8
73	74490548	Bolt Hex Flghd 5/16-18 x 3 Gr. 5	152	178705	Bolt Hex 5/16-18 x 1
74	142432	Screw Hex Wsh. Hi-Lo 1/4-1/2			
77	74780716	Bolt Hex 7/16-14 x 1Gr. 5			

**NOTE:** All component dimensions given in U. S.  
inches 1 inch = 25.4 mm

**TRACTOR - - MODEL NUMBER COGT22H48A**  
**STEERING ASSEMBLY**





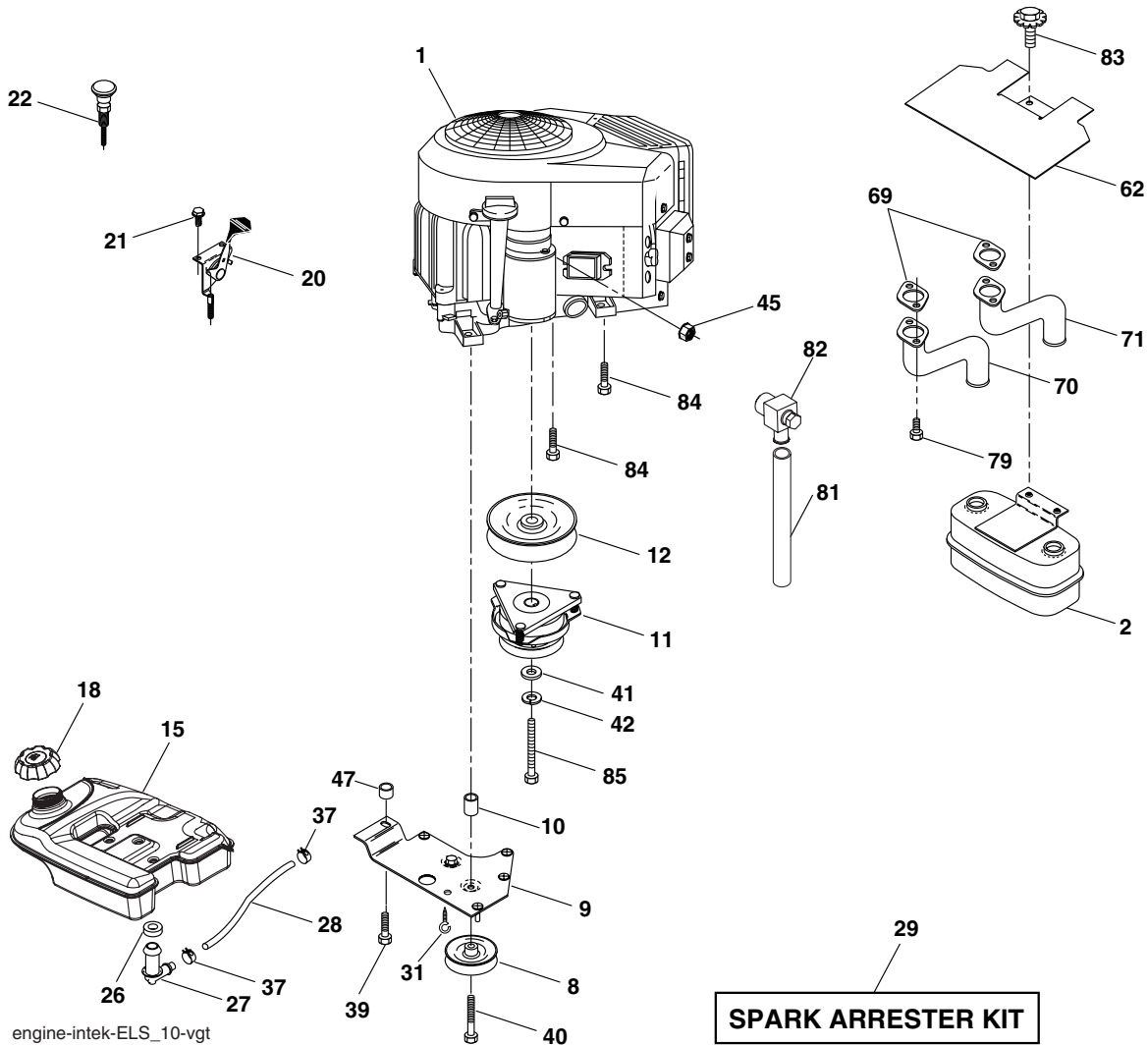
**TRACTOR - - MODEL NUMBER COGT22H48A**  
**STEERING ASSEMBLY**

<b>KEY NO.</b>	<b>PART NO.</b>	<b>DESCRIPTION</b>
1	139768	Wheel, Steering
2	178557	Axle Asm., Front
3	183226	Fitting, Grease
4	161849	Spindle Asm, LH
5	161848	Spindle Asm., RH
6	6266H	Bearing, Race Thrust Harden
7	121748X	Washer 25/32 x 1-5/8 x 16 Ga.
8	12000029	Ring Klip #T5304-75
9	184946X505	Cap, Spindle
10	74781044	Bolt, Fin Hex 5/8-11 x 2-3/4
11	136518	Spacer Bearing Axle Front
12	73901000	Nut, Lock Flange 5/8-11 Unc
13	121749X	Washer 25/32 x 1-1/4 x 16 Ga.
14	10040600	Washer, Lock Hvy Hlcl Spr 3/8
15	73540600	Nut, Crownlock 3/8-24
16	186814	Shaft Asm., Steering
18	175572	Draglink, Ball Joint Solid Vgt
19	156011	Support Asm., Steering Vgt
20	172020X428	Boot, Steering
21	186737	Adapter, Wheel Steering
22	155105	Bushing, Strg. Blk
23	152927	Screw
26	140175	Cap , Wheel Steering
27	3366R	Bearing, Col. Strg.
28	17000612	Screw 3/8-16 x 3/4
29	104239X	Bearing, Flange
31	138136	Bushing, Nyliner Snap
32	19111610	Washer 11/32 x 1 x 10 Ga.
33	10040500	Washer, Lock Hvy Hlcl Spr 5/16
34	74780512	Bolt, Fin Hex Hd 5/16-18 x 3/4
35	187039	Gear, Sector Steering
36	186799	Tie Rod
41	155246	Bracket Switch Interlock VGT 97
42	17490508	Screw Thdrol 5/16-18 x 1/2 Tyt
45	19183812	Washer 9/16 ID x 2-3/8 OD 12 G zin
46	19131610	Washer Flat 13/32 x 1 x 10 Ga.
47	179471	Bracket Asm. Idler Stationary
49	175820	Pulley Idler Flat
50	73900600	Nut Lock Flg 3/8-16 unc
51	73940800	Nut Hex Jam Toplock 1/2-20 unf
52	175553	Clip Steering
53	188967	Washer Hardened

**NOTE:** All component dimensions given in U.S. inches  
1 inch = 25.4 mm

# TRACTOR - - MODEL NUMBER COGT22H48A

## ENGINE



engine-intek-ELS\_10-vgt

**SPARK ARRESTER KIT**

### KEY PART NO. NO.

### DESCRIPTION

1	-----	Engine Briggs, Model No. 40H777 (Order parts from engine manuf.)
2	149723	Muffler Side
8	121361X	Pulley V-Idler
9	177748	Keeper Asm. Belt Engine VGT
10	175287	Bushing
11	179335	Clutch
12	143996	Pulley Engine VGT Elect Clutch
15	179115	Tank Fuel Rear 5.0
18	179124X428	Cap Asm. Fuel
20	175437X428	Control Throttle
21	171875	Screw Hex Thd Cut 1/4 - 20 x 5/8
22	187767X428	Control Choke
26	3645J	Bushing
27	139277	Stem Tank Fuel
28	7834R	Fuel Line
29	137180	Spark Arrester Kit
31	145006	Clip Push-In Hinged
37	123487X	Clamp Hose
39	17490636	Screw TT 3/8-16 x 2-1/4 Unc
40	17490664	Screw TT 3/8-16 x 4 Unc
41	126197X	Washer 1-1/2 OD x 15/32 ID x .250

### KEY PART NO. NO.

### DESCRIPTION

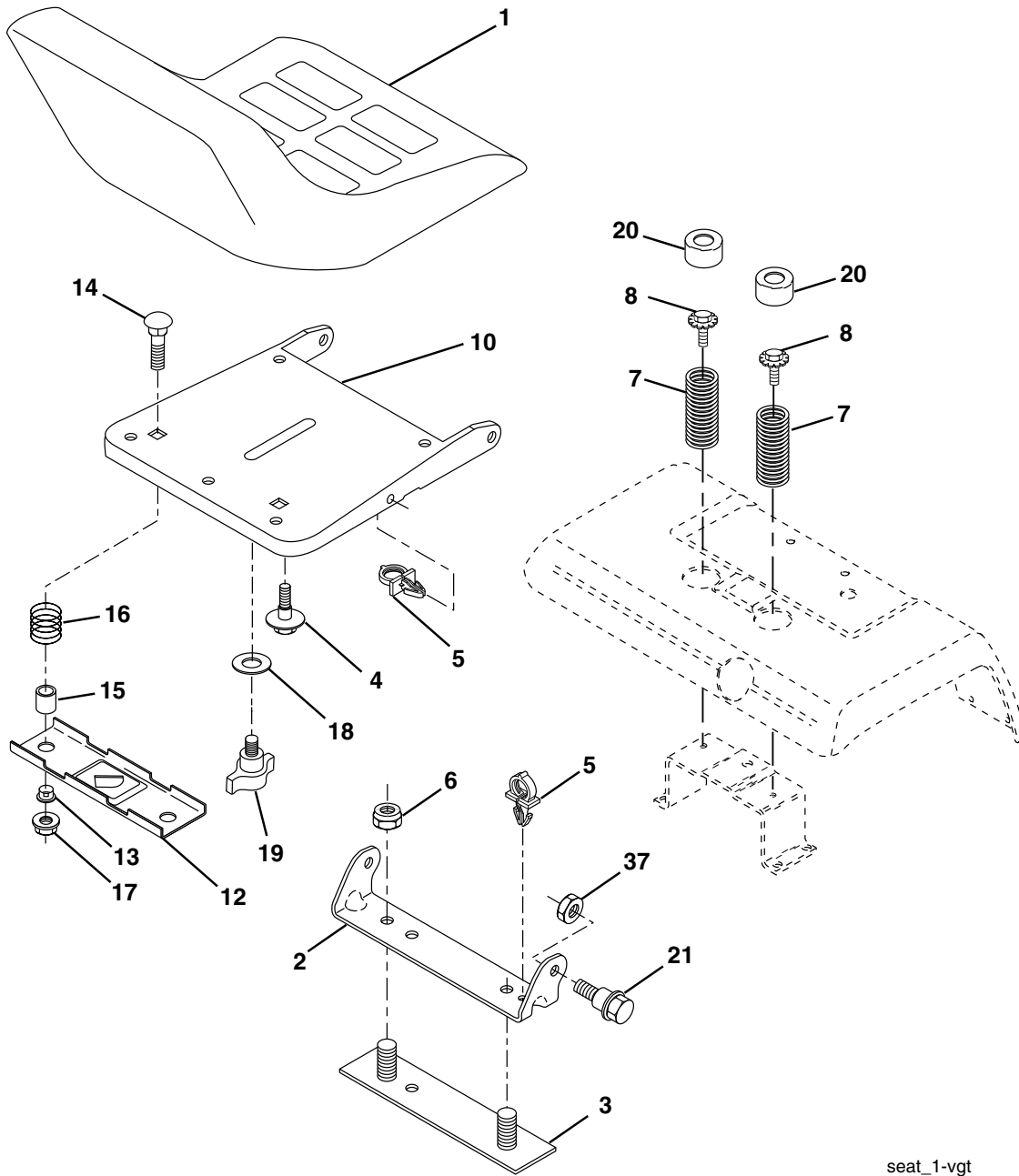
42	10040700	Washer Lock 7/16
45	73510400	Nut Keps Hex 1/4-20
47	175288	Spacer
62	146629	Shield Heat Muffler CV-Intek
69	165391	Gasket
70	176069	Tube Exhaust LH
71	176070	Tube Exhaust RH
79	183906	Screw Socket Head 5/16-18 x 1
81	188800	Tube Drain Oil
82	188799	Valve Oil Drain
83	171877	Bolt 5/16-18 Unc x 1-3/4 W/Sems
84	17060624	Screw Thdrol 3/8-16 x 1-1/2
85	179953	Bolt Hex 7/16-20 x 3.75 Gr. 5

**NOTE:** All component dimensions given in U.S. inches  
1 inch = 25.4 mm

For engine service and replacement parts, call the toll free number for your engine manufacturer listed below:

Briggs & Stratton	1-800-233-3723
Kohler Co.	1-800-544-2444
Tecumseh Products	1-800-558-5402
Honda Engines	1-800-426-7701
Kawasaki	1-800-460-5688

**TRACTOR - - MODEL NUMBER COGT22H48A**  
**SEAT ASSEMBLY**



**KEY PART  
 NO. NO.**

KEY PART NO.	NO.	DESCRIPTION
1	189022	Seat
2	140551	Bracket Pivot Fender
3	140675	Strap, Fender Assy.
4	127018X	Bolt Shoulder 5/16-18 x .62
5	145006	Clip, Push In, Hinged
6	73800600	Nut, lock 3/8-16 Unc
7	124181X	Spring, Seat Cprsn
8	171877	Bolt 5/16-18 Unc x 3/4 w/Sems
10	182493	Pan, Seat
12	121246X	Bracket, Mounting Switch
13	121248X	Bushing, Snap

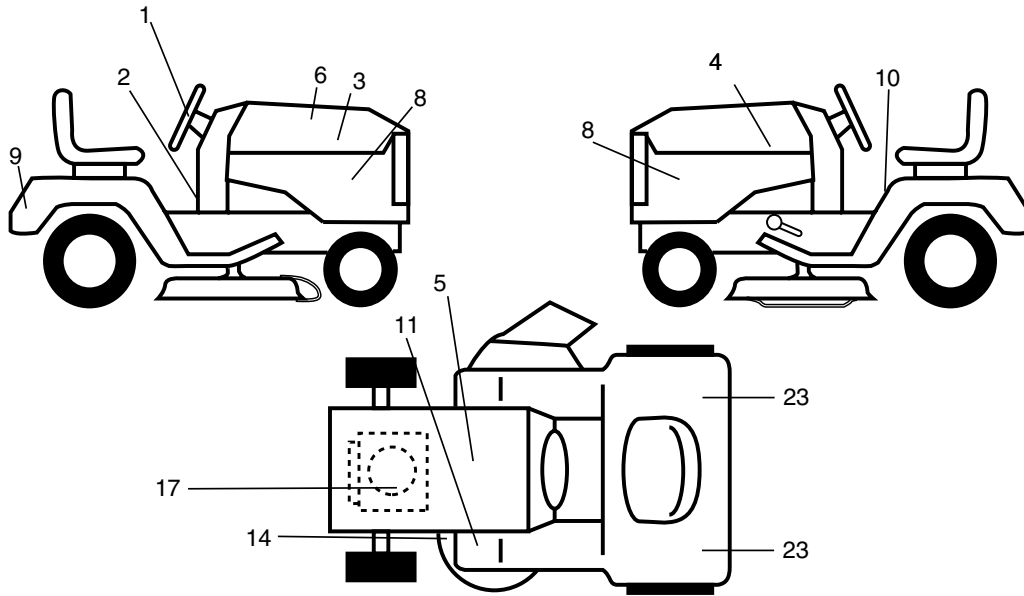
**KEY PART  
 NO. NO.**

KEY PART NO.	NO.	DESCRIPTION
14	72050412	Bolt, Carriage 1/4-20 x 1-1/2
15	121249X	Spacer, Split
16	123740X	Spring, Cprsn
17	123976X	Nut, Lock 1/4 Lge Flg Gr. 5
18	19171912	Washer 17/32 x 1-3/16 x 12 Ga.
19	166369	Knob, Seat
20	124238X	Cap, Spring Seat
21	171852	Bolt, Shoulder 5/16-18
22	73800500	Nut, Crownlock 5/16-18 Unc

**NOTE:** All component dimensions given in U.S. inches  
 1 inch = 25.4 mm

# TRACTOR - - MODEL NUMBER COGT22H48A

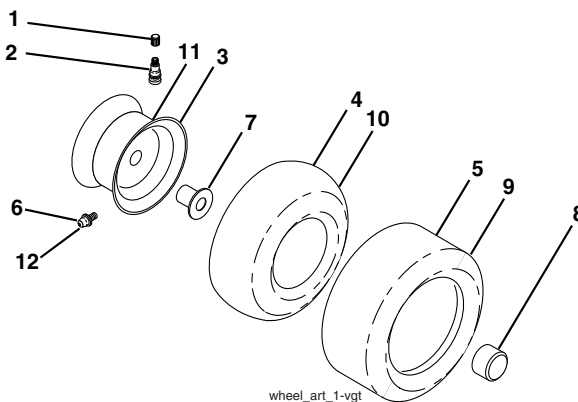
## DECALS



KEY NO.	PART NO.	DESCRIPTION
1	191619	Decal Steering Wheel
2	191647	Decal, Dash
3	176272	Decal, Hood, RH
4	176273	Decal, Hood, LH
5	145005	Decal, Battery DNGR/PSN
6	191624	Decal, RPL
8	189271	Decal, SD, PNL
9	172740	Decal, Fender
10	175141	Decal, Fender Danger
11	181252	Decal, Clutch/Brake

KEY NO.	PART NO.	DESCRIPTION
14	175291	Decal, V-Belt Schematic
17	191651	Decal, Engine
23	106202X	Reflector, Taillight
--	179768X428	Pad, Footrest LH
--	179769X428	Pad, Footrest RH
--	166960	Decal, By-Pass
--	191491	Manual, Owner's (Eng)
--	191492	Manual, Owner's (Spn)

## WHEELS & TIRES

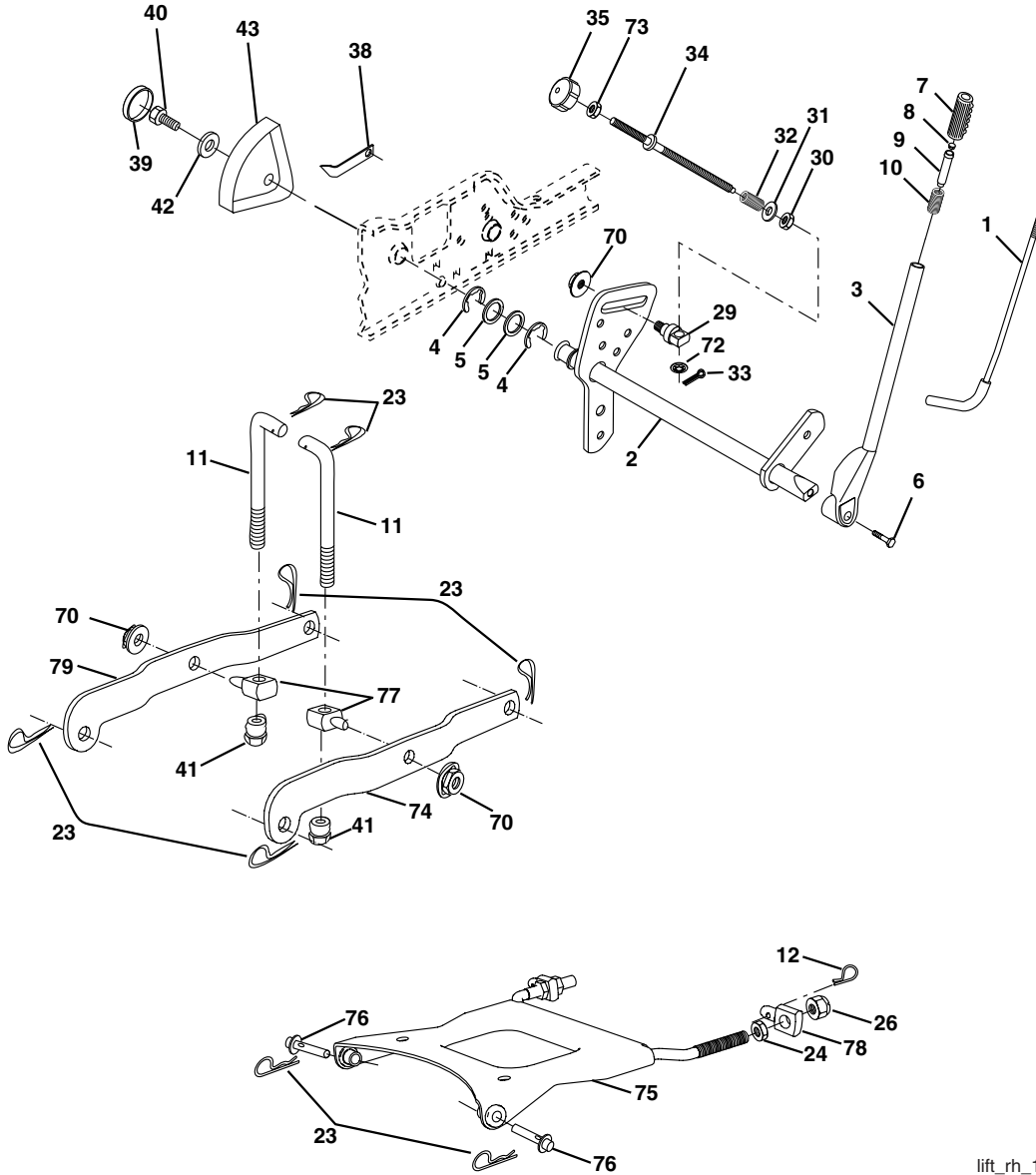


KEY NO.	PART NO.	DESCRIPTION
1	59192	Cap, Valve, Tire
2	65139	Stem, Valve
3	106228X421	Rim Assembly, Front
4	8134H	Tube, Front (Service Item Only)
5	106230X	Tire, Front
6	278H	Fitting, Grease (Front Wheel)
7	9040H	Bearing, Flange (Front Wheel Only)
8	104757X421	Cap, Axle (Front Wheel Only)
9	105588X	Tire, Rear
10	7154J	Tube, Rear (Service Item Only)
11	106277X421	Rim Assembly, Rear
12	6856M	Fitting, Grease
--	144334	Sealant, Tire (10 oz. Tube)

**NOTE:** All component dimensions given in U.S. inches  
1 inch = 25.4 mm

# TRACTOR - - MODEL NUMBER COGT22H48A

## LIFT ASSEMBLY



lift\_rh\_15

### KEY PART NO. NO.

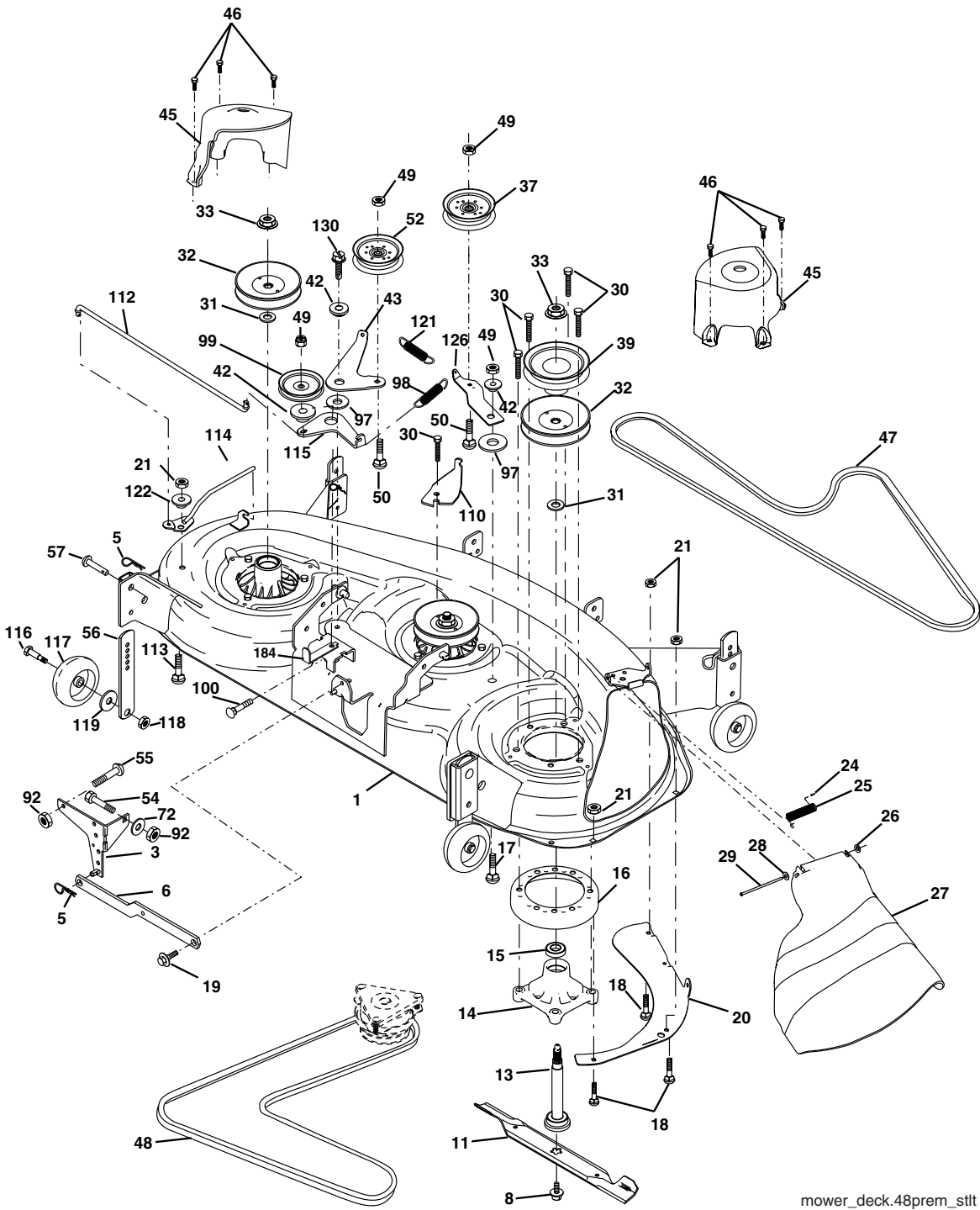
KEY PART NO.	NO.	DESCRIPTION
1	121006X	Rod Asm., Lever
2	180045	Shaft Asm., Lift Vgt
3	159189	Lever Asm., Lift Rh
4	1200022	E-Ring Truarc #5133-87
5	19292016	Washer 29/32 x 1-1/4 x 16 Ga.
6	71110624	Bolt, Fin Hex 3/8-16 x 1-1/2
7	125631X	Grip, Handle Fluted
8	170770	Plunger, Button
9	122364X	Plunger Lever Lift
10	183894	Spring
11	175375	Link Lift
12	163552	Retainer Spring
23	4939M	Retainer, Spring
24	73350800	Nut, Jam Hex 1/2-13 unc
26	73800800	Nut lock 1/2-13 unc
29	150233	Trunnion, Infin Height
30	110807X	Nut, Special
31	19131016	Washer 13/32 x 5/8 x 16 Ga.
32	137150	Spring, Compression Inf Hgt
33	76020308	Pin, Cotter 3/32 x 1/2

### KEY PART NO. NO.

KEY PART NO.	NO.	DESCRIPTION
34	137167	Rod, Adj Lift
35	138057	Knob, Inf 3/8-16 unc
38	155097	Pointer, Height Indicator
39	123935X	Plug, Hole
40	17060516	Screw Hex Wsh 5/16-18 x 1
41	175994	Nut, Lift Link 7/16-20
42	19112410	Washer 11/32 x 1-1/2 x 10 Ga.
43	123934X	Scale, Indicator Height
70	145212	Nut Hex Flange Lock
72	110452X	Nut Push Phos & Oil
73	73350600	Nut Hex Jam 3/8-16 unc
74	175802	Arm Susp. Rear RH
75	175805	Plate Asm. Susp. Front
76	175560	Pin, Flange
77	176205	Trunnion Susp. Arm
78	175689	Trunnion Susp. Front
79	175378	Arm, susp. R LH

**NOTE:** All component dimensions given in U. S. inches 1 inch = 25.4 mm

TRACTOR - - MODEL NUMBER COGT22H48A  
MOWER DECK



mower\_deck.48prem\_stlt

## TRACTOR - - MODEL NUMBER COGT22H48A

### MOWER DECK

KEY NO.	PART NO.	DESCRIPTION	KEY NO.	PART NO.	DESCRIPTION
1	180358	Deck Weldment	46	137729	Screw, Thdroll. 1/4-20 x 5/8
3	138017	Bracket Asm., Sway Bar	47	180808	V-Belt, Mower, Secondary
5	4939M	Retainer Spring	48	174368	V-Belt, Mower, Primary
6	178024	Arm, Suspension, Rear (Sway Bar)	49	73900600	Nut 3/8-16 unc
8	174365	Bolt 7/16 Asm. Blade (The following blades are available)	50	72110612	Bolt, Carr. 3/8-16 x 1-1/2 Gr. 5
11	180054	Blade, 48" Hi-lift (For bagging and discharging)	52	175820	Pulley Idler Flat
--	173921	Blade, 48" Mulching (For mulching mowers only)	54	74780616	Bolt Fin Hex 3/8-16 unc x 1 Gr.5
13	174360	Shaft Asm.	55	72140608	Bolt Rdhd Sqnk 3/8-16 unc x 1
14	174358	Housing Mandrel	56	155986	Bar Pnt Adj.
15	110485X	Bearing, Ball, Mandrel	57	156941	Pin Head Rivet
16	174493	Stripper Mandrel Deck	72	19131312	Washer 13/32 x 13/16 x 12 Ga.
17	72110610	Bolt RDHD Sq Neck 3/8-16 x 1.25	97	178515	Washer Hardened
18	72140505	Bolt, Carriage 5/16-18 x 5/8	98	179479	Spring Primary Drive
19	132827	Bolt, Hex Hd, Shoulder 5/16-18	99	184058	Pulley Idler"V"
20	174378	Baffle, Vortex Mower	100	72110616	Bolt RDHD Sqnk 3/8-16 unc x 2
21	73680500	Nut, Crownlock 5/16-18 unc	110	175016	Arm Spring Secondary
24	105304X	Cap, Sleeve	112	174387	Link Tension Relief lever
25	178102	Spring, Torsion	113	72110506	Bolt 5/16-18 x 3/4
26	110452X	Nut, Push	114	174384	Tension Assy. Relief Lever
27	180655X428	Deflector Shield	115	174609	Arm Spring Tension Relief
28	19111016	Washer 11/32 x 5/8 x 16 Ga.	116	184219	Bolt, Shoulder
29	131491	Rod, Hinge	117	174873	Gauge Wheel
30	173984	Screw, Thdroll	118	73930600	Nut, Centerlock 3/8-16 unc
31	187690	Washer, Spacer Mower Vented	119	19121414	Washer 3/8 x 7/8 x 14 Ga.
32	173436	Pulley, Mandrel	121	174371	Spring Secondary Drive
33	178342	Nut, Flg. Top Lock Cntr. 9/16	122	174606	Bushing Pivot Tension Relief
37	177968	Pulley, Idler, 48" Primary	126	174372	Arm, Idler, Primary Deck
39	174375	Pulley, Idler, Driven	130	17000616	Screw 3/8-16 x 1.0.Blk
42	122052X	Spacer, Retainer	184	173979	Keeper Belt Idler
43	174373	Arm, Idler Secondary	--	174356	Mandrel Asm. Service (Includes Key Nos. 13-15)
45	180806	Cover, Mandrel Deck	--	180939	Replacement Mower, Complete

**NOTE:** All component dimensions given in U. S. inches 1 inch = 25.4 mm