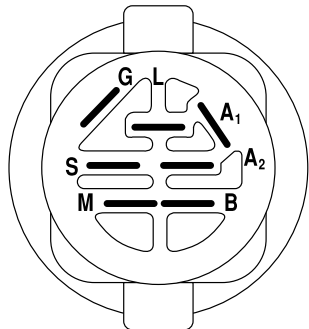
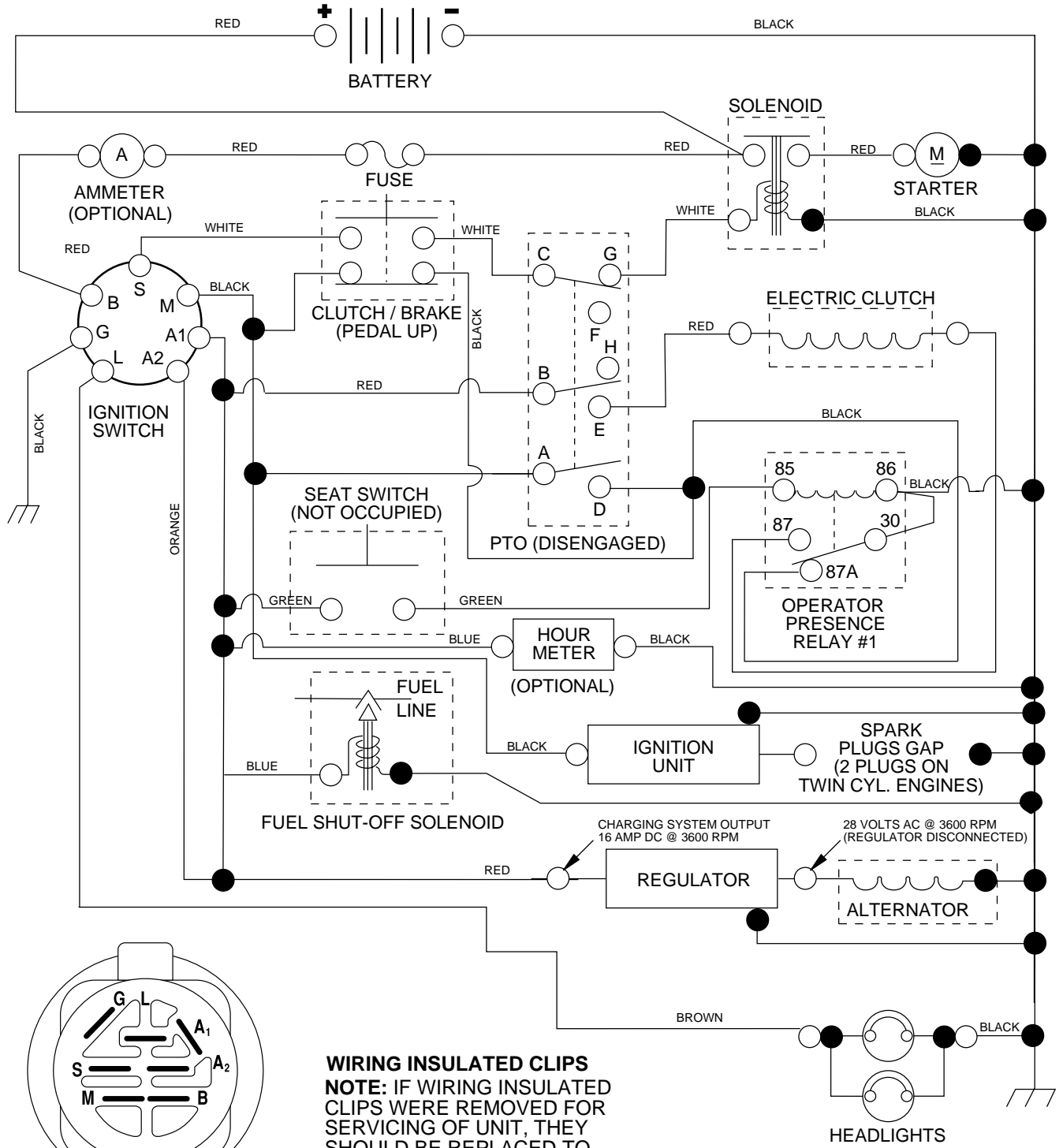


# TRACTOR - MODEL NUMBER DPR22H46STA

## SCHEMATIC



**IGNITION SWITCH**

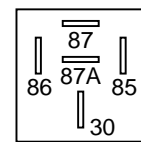
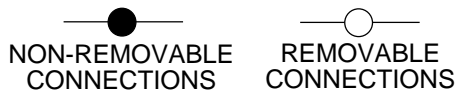
POSITION	CIRCUIT	"MAKE"
OFF	M+G+A1	NONE
RUN/LIGHT	B+A1	A2+L
RUN	B+A1	NONE
START	B + S + A1	NONE

**WIRING INSULATED CLIPS**

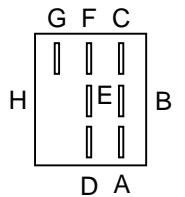
**NOTE:** IF WIRING INSULATED CLIPS WERE REMOVED FOR SERVICING OF UNIT, THEY SHOULD BE REPLACED TO PROPERLY SECURE YOUR WIRING.

**PTO SWITCH**

POSITION	CIRCUIT
OFF	C + G, B + H
ON	C + F, B + E, A + D



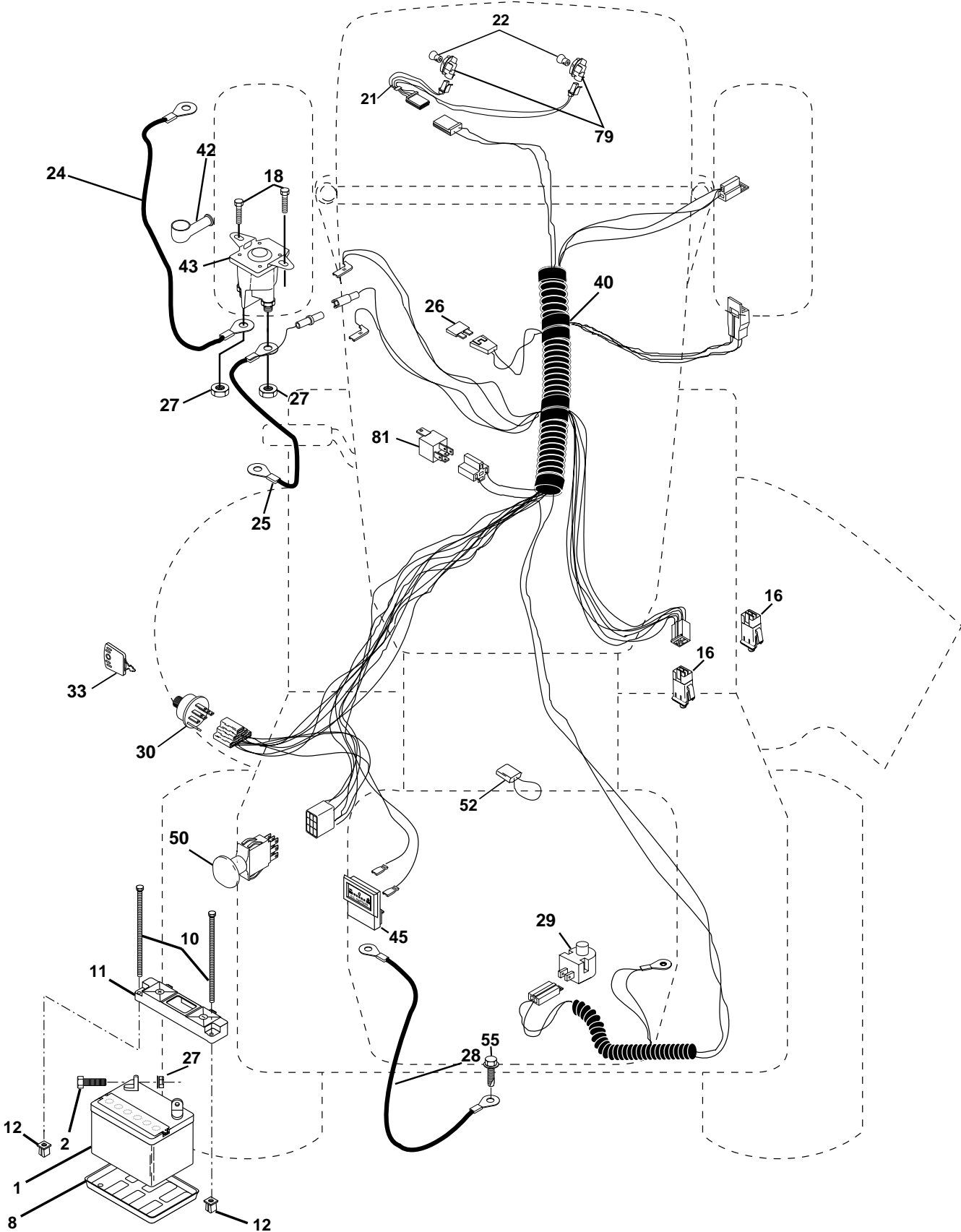
**RELAY**



# REPAIR PARTS

## TRACTOR - MODEL NUMBER DPR22H46STA

### ELECTRICAL



# REPAIR PARTS

## TRACTOR - MODEL NUMBER DPR22H46STA

### ELECTRICAL

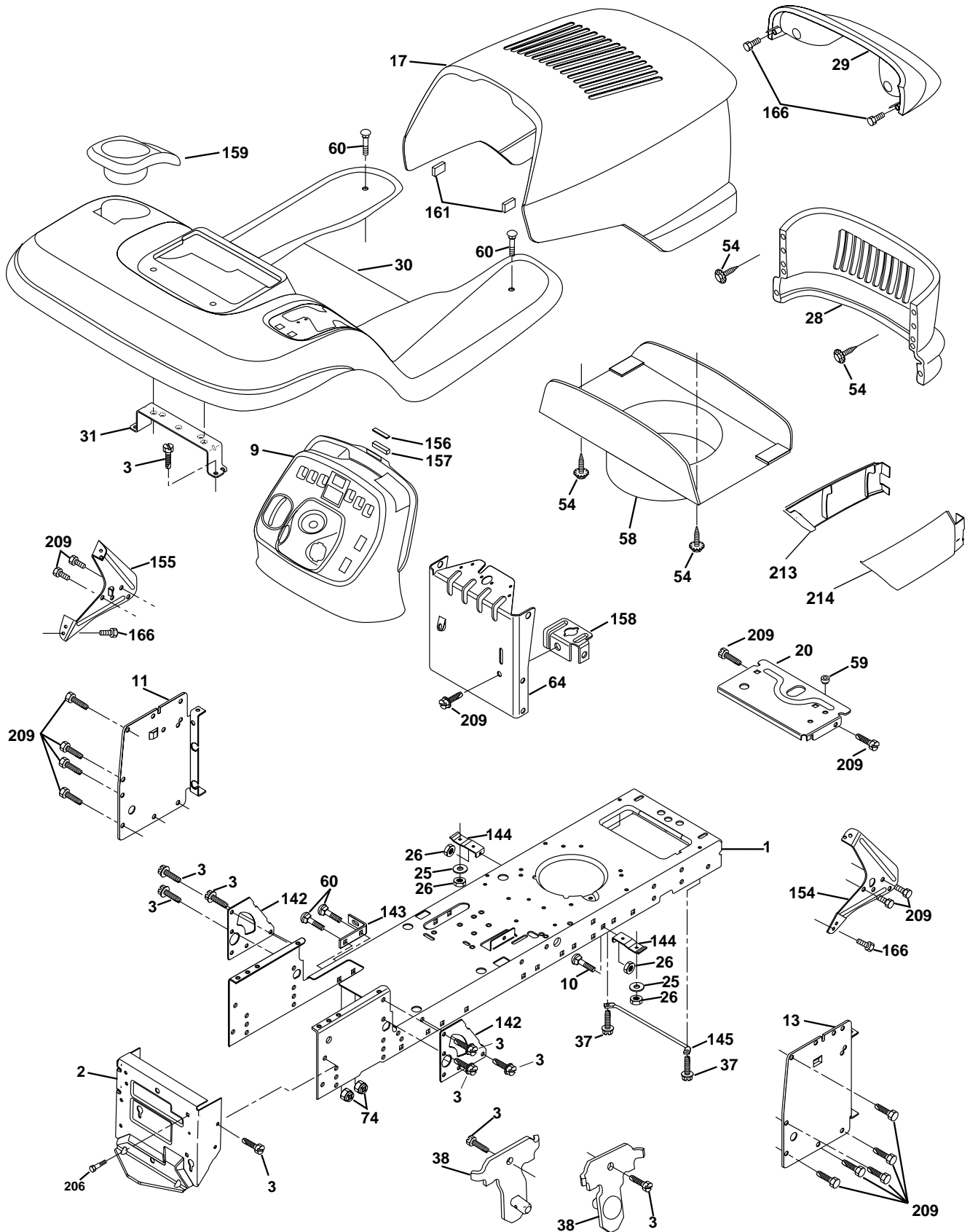
KEY NO.	PART NO.	DESCRIPTION
1	163465	Battery
2	74760412	Bolt Hex Hd 1/4-20 UNC X 3/4
8	7603J	Tray, Battery
10	145211	Bolt, BTR FRT 1/4-20 x 7.5
11	150109	Hold Down Battery, Front
12	145769	Nut, Push, Nylon
16	153664	Switch Interlock Push-In
21	166184	Harness Asm Light W/4152j
22	4152J	Bulb Light #1156
24	8860R	Cable Battery
25	146148	Cable Batterywire
26	175158	Fuse
27	73510400	Nut Keps Hex 1/4-20 Unc
28	145491	Cable Ground
29	160784	Switch Plunger Normal OP Olive
30	175566	Switch Ign 4 pos w/lights
33	140401	Key Ign
40	170233	Harness Ign.
41	17720408	Bolt Blk Fin Hex 1/4-20 x 1/2
42	131563	Cover Terminal Red
43	175141	Solenoid
45	122822X	Ammeter Rectangular
50	174653	Switch, PTO
52	141940	Protection Wire Loop
55	17490508	Screw Thdrol 5/16-18 x 1/2
79	163996	Bulbholder
81	109748X	Relay Asm

**NOTE:** All component dimensions given in U.S. inches.  
1 inch = 25.4 mm.

# REPAIR PARTS

## TRACTOR - MODEL NUMBER DPR22H46STA

### CHASSIS AND ENCLOSURES



# REPAIR PARTS

## TRACTOR - MODEL NUMBER DPR22H46STA

### CHASSIS AND ENCLOSURES

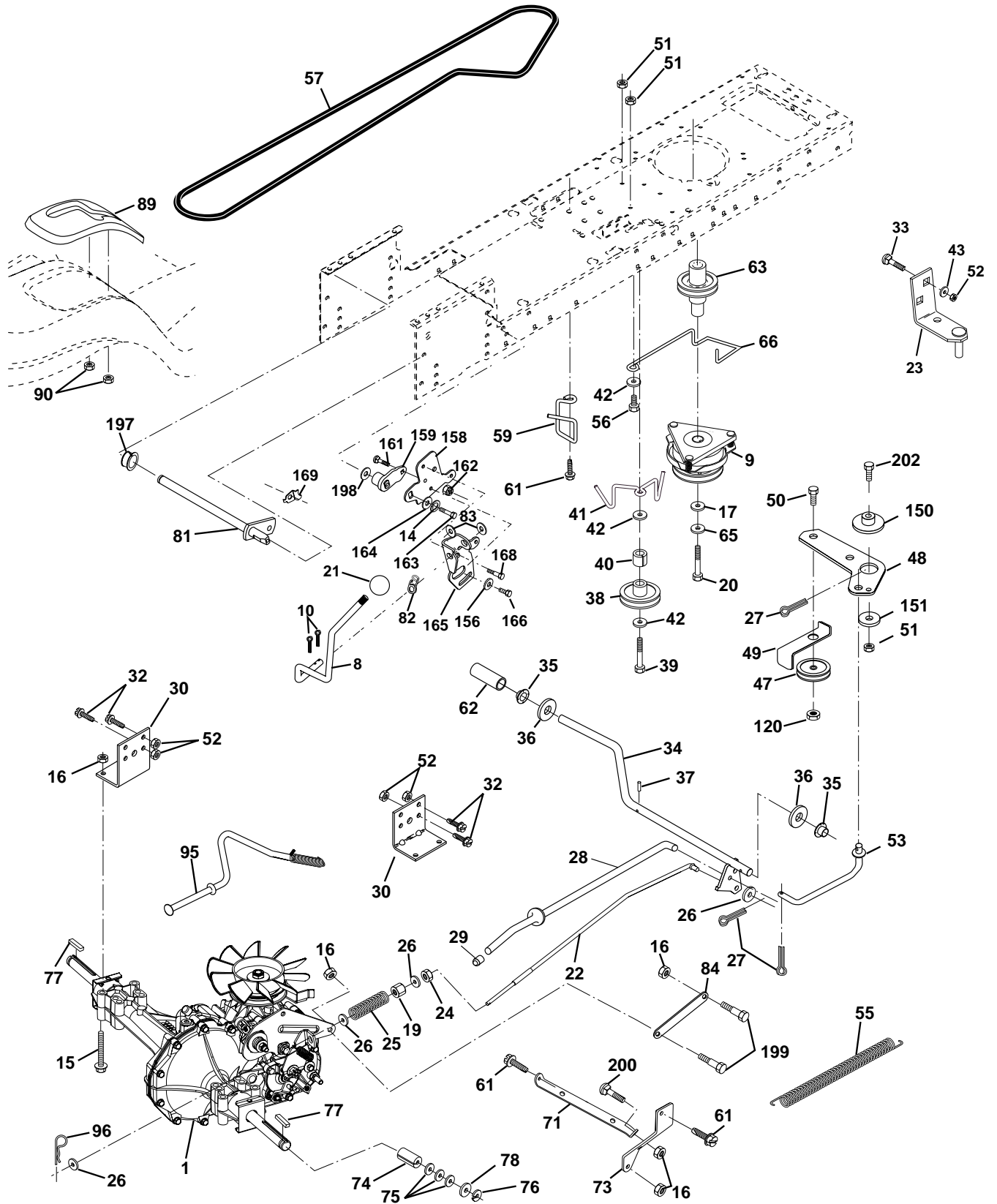
KEY NO.	PART NO.	DESCRIPTION	KEY NO.	PART NO.	DESCRIPTION
1	169830	Chassis	55	144696	Bracket Grille Rh
2	176554	Drawbar	57	74780412	Bolt Hex 1/4-20 x 3/4
3	17060612	Screw 3/8-16x3/4	58	161236	Duct Hood
9	163976X428	Dash	59	110436X	Bushing Snap
10	72140608	Bolt Carriage 3/8-16 x 1	60	72140606	Bolt RdHd Sqnk 3/8-16 Unc x 3/4
11	167203	Panel Dash Lh	64	162025	Dash Lower
12	145660	Clip Tinnerman	68	73510400	Nut Keps Hex 1/4-20 Unc
13	167202	Panel Dash Rh	74	73680600	Nut Crownlock 3/8-16 Unc
17	175259X428	Hood	142	165867	Plate Reinforcement STLT
18	126938X	Bumper Hood	143	154966	Bracket Swaybar Chassis
20	162026	Plate Battery	144	154207	Bracket Footrest
23	124028X	Bushing	145	156524	Rod Pivot Chassis/Hood
24	74780616	Bolt Fin Hex 3/8-16 x 1 Gr 5	154	161897	Bracket Dash Rh
25	19131312	Washer 13/32 X 13/16 X 12 Ga	155	161900	Bracket Dash Lh
26	73800600	Nut Lock Hex W/Ins 3/8-16 Unc	156	163805	Striker Plate
28	175289X428	Grille	157	163806	Magnet Stealth
29	161235	Lens	158	162037	Bracket Parking Brake
30	164919X428	Fender	159	155123X428	Cupholder
31	139976	Bracket Fender	161	164655	Extrusion Bumper
33	145244X428	Footrest Pnt Lh	166	164863	Screw HwHd Hi-Lo #13-16 x 3/4
34	145243X428	Footrest Pnt Rh	195	166822X428	Panel Pnt Fender YT/GT
35	72110606	Bolt Rdhd Sht Sqnk 3/8-16 x 3/4	196	17580408	Screw Tap Tite 1/4-20 x 1/2
37	17490508	Screw Thdrol 6/16-18 x 1/2 TYT	206	170165	Bolt Shoulder 5/16-18
38	169834	Bracket, Asm. Pivot Mower Rear	207	17670508	Screw Thdrol 5/16-18 x 1/2
44	140675	Strap Asm Fender	208	17670608	Screw Thdrol 3/8-16 x 1/2
49	17490412	Screw Hexwsh Thdrol 1/4-20 x 3/4	209	17000612	Screw Hexwsh Thdrol 3/8-16 x 3/4
50	142779	Brace Support Dash P/L	212	156229	Insert Lens Reflective
51	73800400	Nut Lock Hex W/Ins 1/4-20	213	169848X428	Skirt Grille Lh
52	19091416	Washer 9/32 x 7/8 x 16 Ga.	214	169847X428	Skirt Grille Rh
53	144697	Bracjet Grukke Lh			
54	161464	Screw Hex Wshd 8-18 x 7/8			

**NOTE:** All component dimensions given in U.S. inches  
1 inch = 25.4 mm

# REPAIR PARTS

## TRACTOR - MODEL NUMBER DPR22H46STA

### DRIVE



# REPAIR PARTS

## TRACTOR - MODEL NUMBER DPR22H46STA

### DRIVE

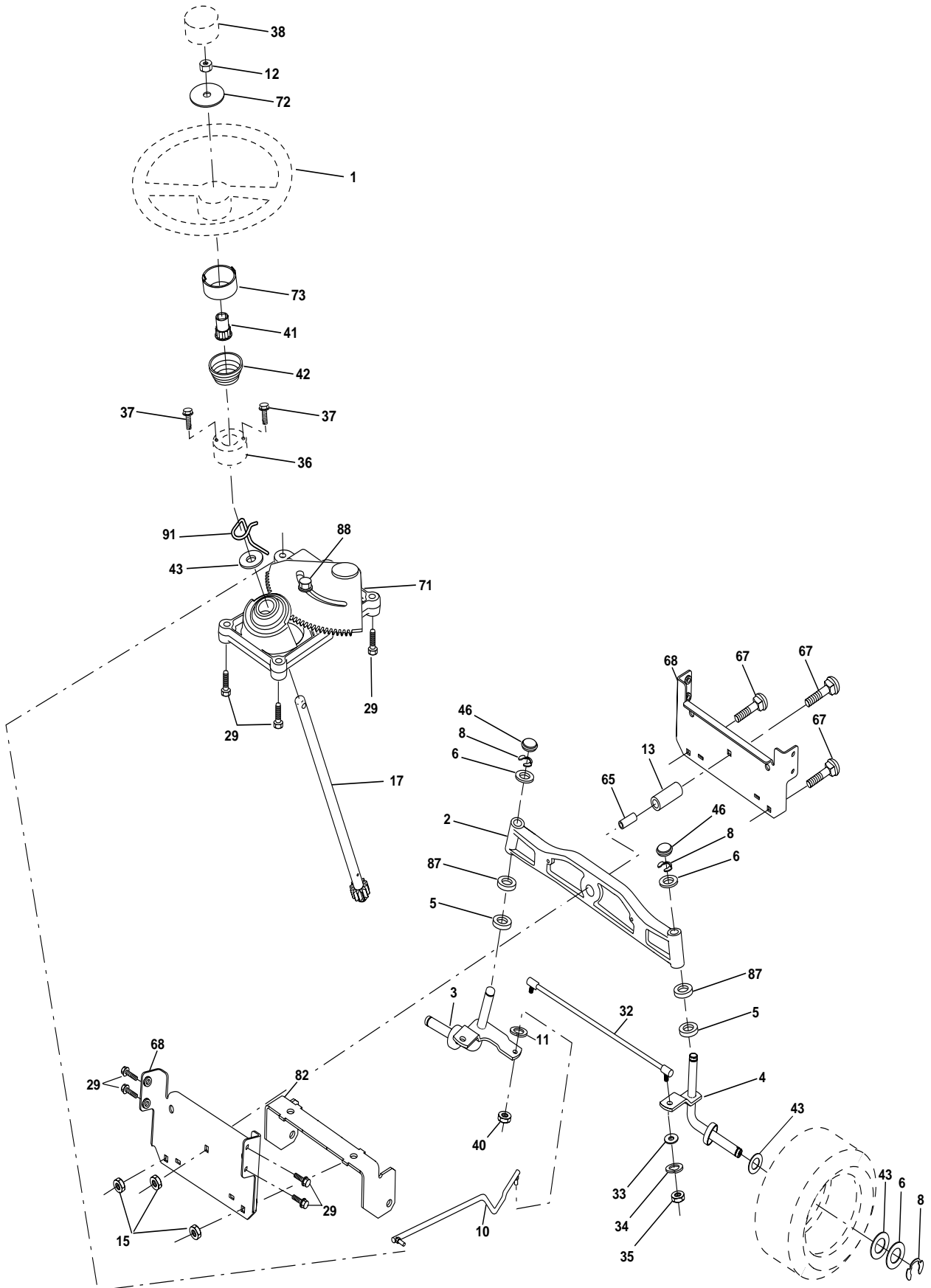
KEY NO.	PART NO.	DESCRIPTION	KEY NO.	PART NO.	DESCRIPTION
1	-----	Transaxle, Hydro Gear 314-0510 (Order Parts From Transaxle Manufacturer)	59	169691	Keeper, Center Span
8	165866	Rod Shift Fender	61	17060612	Screw 3/8-16 x 3/4
9	137140	Clutch Electric	62	8883R	Cover, Pedal
10	76020416	Pin Cotter 1/8 x 1 CAD	63	140189	Pulley, Engine
14	10040400	Washer Lock Hvy Helical	65	10040700	Washer
15	74490544	Bolt Hex Flghd 5/16-18 Gr. 5	66	154778	Keeper Belt Engine Hydro
16	73800500	Nut Lock Hex W/Ins. 5/16-18 Unc	71	169183	Strap Torque Lh Hydro
17	126197X	Washer 1-1/2 OD x 15/32 ID x .250	73	169182	Strap Torque Rh Hydro
19	73800600	Nut Lock Hex W/Wsh 3/8-16 Unc	74	137057	Spacer, Axle
20	150280	Bolt, Hex 7/16-20 x 4-1/4	75	121749X	Washer 25/32 x 1-1/4 x 16 Ga.
21	140845	Knob Deluxe	76	12000001	E-Ring
22	169498	Rod, Brake Hydro	77	123583X	Key, Square
23	137141	Bracket Asm. CVX	78	121748X	Washer 25/32 x 1-5/8 x 16 Ga.
24	73350600	Locknut	81	165596	Shaft Asm. Cross Hydro
25	106888X	Spring, Brake Rod	82	165711	Spring Torsion T/A
26	19131316	Washer	83	19171216	Washer 17/32 x 3/4 x 16 Ga.
27	76020412	Pin Cotter 1/8 x 3/4 CAD.	84	169594	Link Transaxle
28	145204	Rod, Parking Brake	89	164890X428	Console, Shift
29	71673	Cap, Parking Brake	90	124346X	Nut Self-Thd Wsh-Hd 1/4
30	169592	Bracket, Transaxle	95	170201	Control Asm. Bypass Hydro
32	74760512	Bolt Hex Hd 5/16-18 Unc x 3/4	96	4497H	Retainer Spring 1" Zinc/Cad
33	72140506	Bolt Carriage 5/16-18 UNC x 3/4	120	73900600	Nut Lock Flg. 3/8-16 Unc
34	155071	Shaft, Foot Pedal	144	19111016	Washer 11/32 x 5/8 x 16 Ga.
35	120183X	Bearing, Nylon	150	165850	Bushing Bellcrank Grd Drive
36	19211616	Washer	151	19133210	Washer 13/32 x 2 x 10 Ga.
37	1572H	Pin, Roll	156	166002	Washer Srrted 5/16ID x 1.125
38	131494	Pulley, Idler, Flat	158	165589	Bracket Shift Mount
39	74760644	Bolt	159	165494	Hub Tapered Flange Shift Lt
40	4470J	Spacer Split	161	72140406	Bolt Rdhd Sqnk 1/4-20 x 3/4 Gr. 5
41	165838	Keeper, Belt Idler Fool-Proof	162	73680400	Nut Crownlock 1/4-20 Unc
42	19131312	Washer 13/32 x 13/16 x 12 Gauge	163	74780416	Bolt Hex Fin 1/4-20 Unc x 1 Gr. 5
43	19111012	Washer 11/32 x 5/8 x 12 Ga.	164	19091010	Washer 5/8 x .281 x 10 Ga
47	127783	Pulley, Idler, V-Groove	165	165623	Bracket Pivot Lever
48	154407	Bellcrank Clutch Grnd Drv Stl	166	166880	Screw 5/16-18 x 5/8
49	123205X	Retainer, Belt	168	165492	Bolt Shoulder 5/16-18 x .561
50	74760624	Bolt	169	165580	Plate Fastening Lt\
51	73680600	Nut	197	169613	Nyliner Snap-In 5/8" ID
52	73680500	Nut Crown Lock 5/16-18	198	169593	Washer Nyliner 7/8 ID x .105
53	105710X	Link, Clutch	199	169612	Bolt Shoulder 5/16-18 Unc
55	105709X	Spring, Return, Clutch	200	72140508	Bolt Rdhd Sqnk 5/16-18 UNC x 1
56	74760620	Bolt	202	72110612	Bolt Carr Sh 3/8-16 x 1-1/2 Gr.5
57	140294	V-Belt, Ground Drive			

**NOTE:** All component dimensions give in U.S. inches.  
1 inch = 25.4 mm

# REPAIR PARTS

## TRACTOR - MODEL NUMBER DPR22H46STA

### STEERING ASSEMBLY





# REPAIR PARTS

## TRACTOR - MODEL NUMBER DPR22H46STA

### STEERING ASSEMBLY

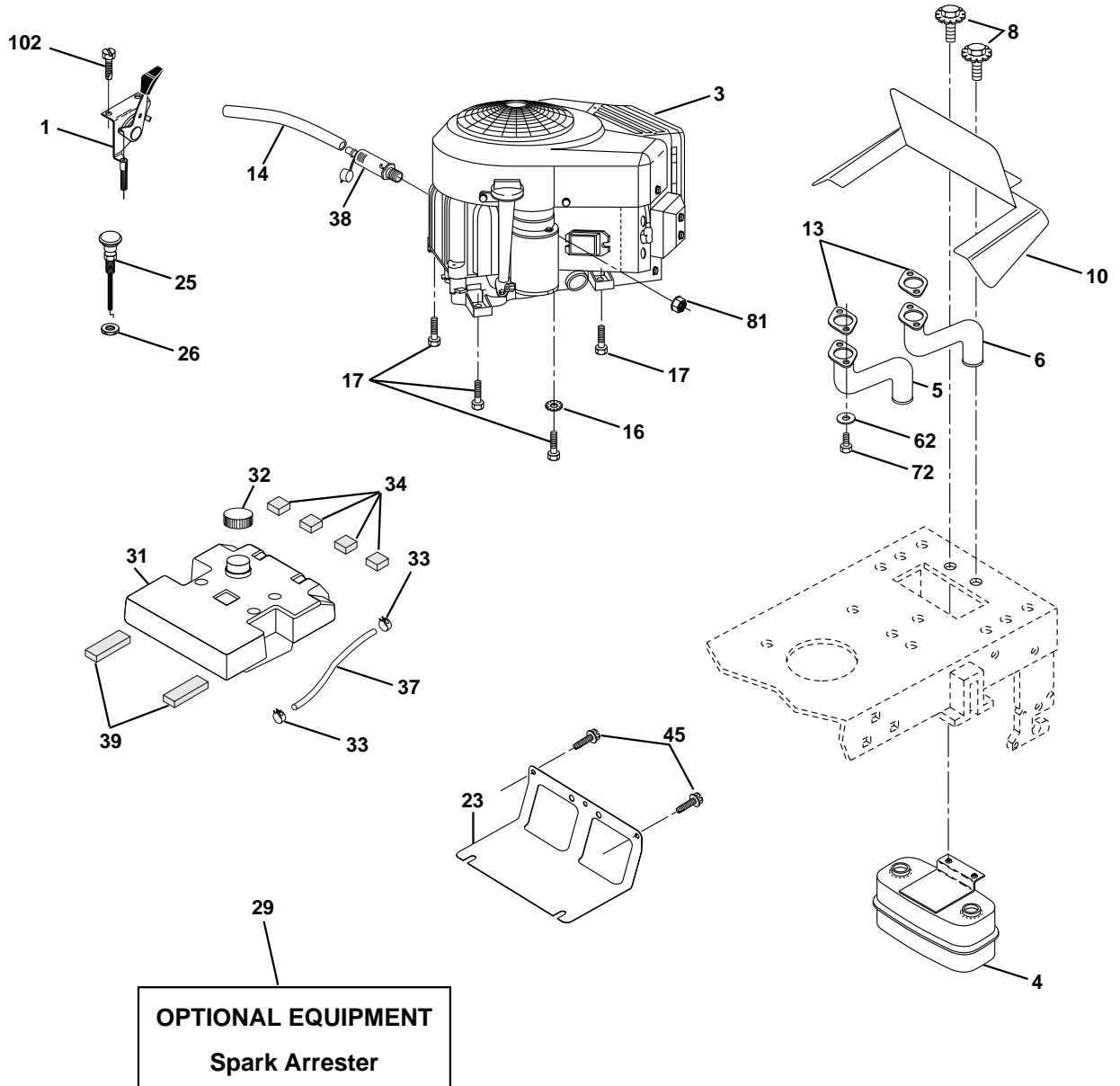
KEY NO.	PART NO.	DESCRIPTION
1	159944X428	Wheel Steering
2	172393	Axle Cast Lt Machined
3	169840	Spindle Asm LH
4	169839	Spindle Asm RH
5	6266H	Bearing Race Thrust Harden
6	121748X	Washer 25/32 X 1-5/8 X 16 Ga
8	12000029	Ring Klip #t5304-75
10	169832	Link Drag
11	10040600	Washer Lock Hvy Hlcl Spr 3/8
12	73940800	Nut Hex Jam Toplock 1/2-20 UNF
13	136518	Spacer Brg Axle Front
15	145212	Nut Hex Flange Lock
17	156543	Shaft Asm Strg
18	57079	Washer Thrust 515x 750x 033
19	160395	Support Shaft
22	165857	Screw Hex Wsh Hd Torx
23	165851	Shaft Asm Pittman
25	154406	Bracket Steering
27	136874	Gear Sector 22 Teeth
29	17060612	Screw 3/8-16x3/4
32	171888	Rod Tie
33	19111216	Washer 11/32 x 3/4 x 16 Ga.
34	10040500	Washer Lock Hry Hlcl Spr 5/16
35	73540500	Nut Crownlock 5/16 - 24 UNF
36	155104	Bushing Strg
37	152927	Screw TT #32.5 x 5 x 3/8 Flange
38	159946X428	Cap Wheel Steer
40	7810H	Nut Lock Center 3/8-24 Unf
41	159945	Adaptor Wheel Strg
42	163888X428	Boot Steering
43	121749X	Washer 25/32 X 1 1/4 X 16 Ga
46	121232X	Cap Spindle Fr Top Blk
62	167905	Steering Assembly
65	160367	Spacer Brace Axle
66	154404	Bearing Arm Pittm-an
67	72140618	Bolt Rdhd Sqn 3/8-16 x 2-1/4
68	169827	Brace, Axle
72	19182411	Washer 9/16 ID x 1/20 OD 11 Ga.
73	160135X428	Extension Steering
79	19132012	Washer 13/32 x 1-1/4 x 12 Ga.
80	74950612	Bolt Hex Nylon 3/8-16 x 3/4
82	169835	Bracket Susp Chassis Front
87	173966	Washer Flat .781 x 1-1/2 x .14

**NOTE:** All component dimensions given in U.S. inches.  
1 inch = 25.4 mm.

# REPAIR PARTS

## TRACTOR - MODEL NUMBER DPR22H46STA

### ENGINE



**OPTIONAL EQUIPMENT**  
**Spark Arrester**

KEY NO.	PART NO.	DESCRIPTION
1	164067	Control Throttle
2	17720410	Screw Hex Thd Cut 1/4-20x5/8 T
3	-----	Engine, Briggs Model 407777 (Order parts from engine mfg.)
4	149723	Muffler Asm Twin Lo-Tone
5	159955	Pipe Exhaust LH Intek
6	160589	Pipe Exhaust RH Intek
8	171877	Bolt 5/16-18 UNC x 3/4 w/Sems
10	162797	Shield Browning Intek II
13	165391	Muffler Gasket
14	148456	Tube Drain Oil Easy
16	11050600	Washer Lock Ext Tooth 3/8
17	17490624	Screw Thdrol 3/8-16 x 1-1/2
23	169837	Shield Heat
25	164068	Choke Control
26	73920600	Nut, Keps 3/8-24 UNF

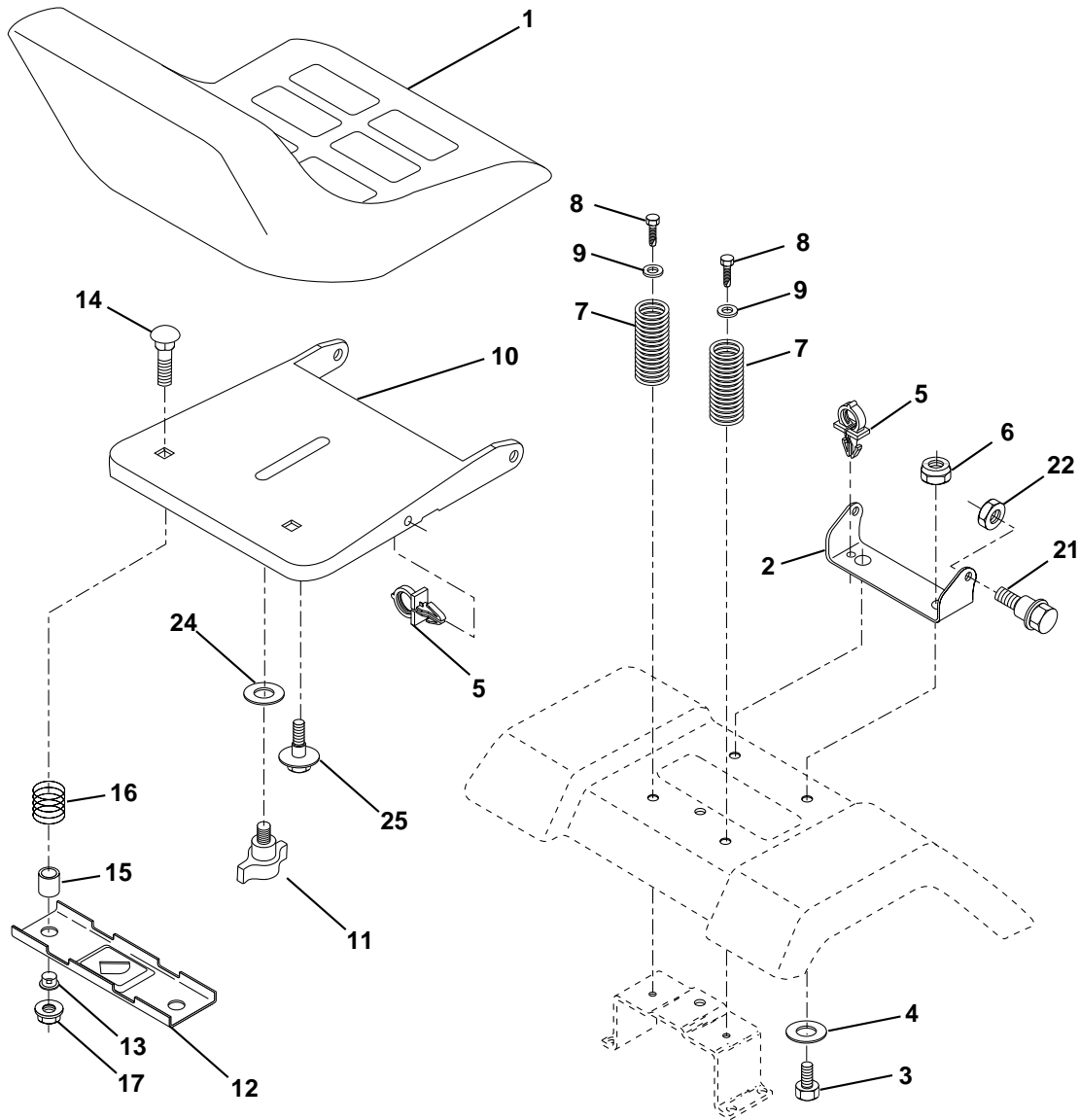
KEY NO.	PART NO.	DESCRIPTION
29	137180	Kit Spark Arrestor (Flat Scrn)
31	157103	Tank Fuel 3 50 Rear
32	140527	Cap Asm Fuel W/sym Vented
33	123487X	Clamp Hose Black
34	106082X	Pad, Spacer
37	8543R	Line Fuel
38	148315	Plug Drain Oil Easy
39	109227X	Pad, Idler
45	17000612	Screw Hexwsh Thdr 3/8-16 x 3/4
62	10040500	Washer Lock 5/16
72	71070512	Screw Hex Hd Cap 5/16-18 x 3/4
81	73510400	Nut Keps Hex 1/4-20 UNC
102	164863	Screw HwHd Hi-Lo #13-16 x 3/4

**NOTE:** All component dimensions given in U.S. inches  
1 inch = 25.4 mm

# REPAIR PARTS

## TRACTOR - MODEL NUMBER DPR22H46STA

### SEAT ASSEMBLY



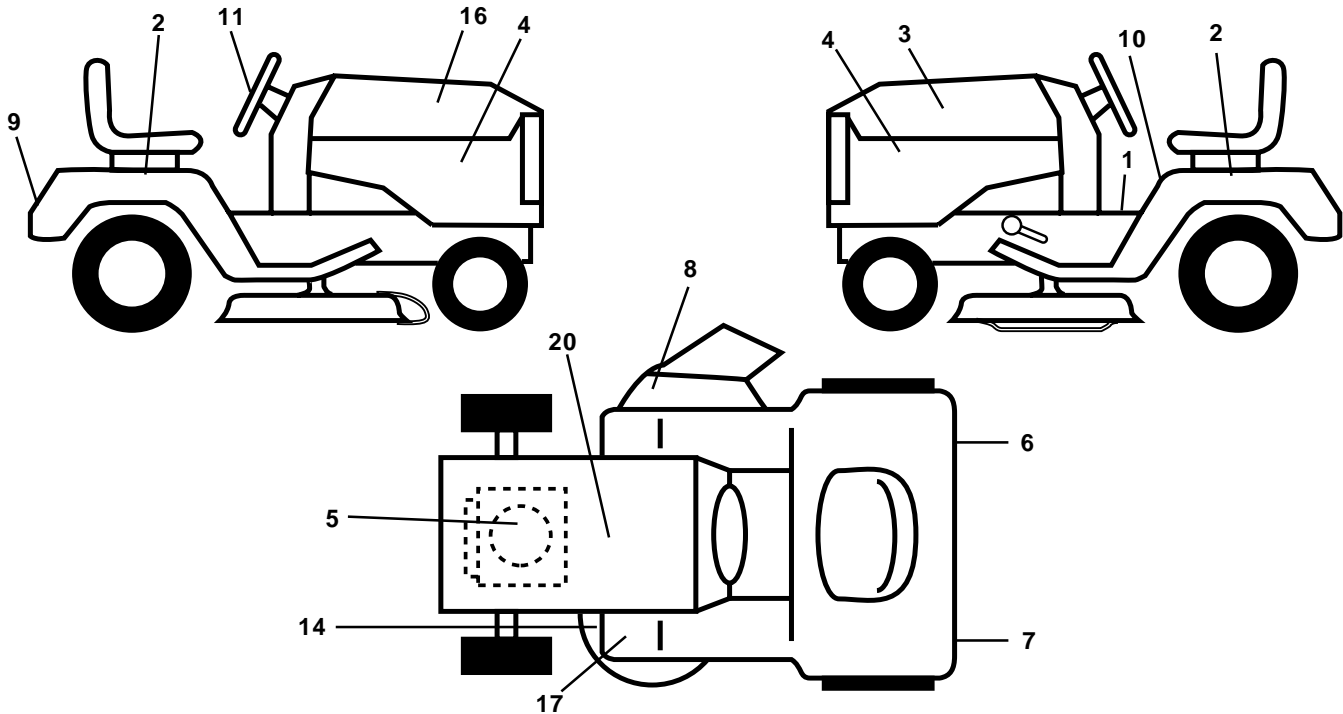
KEY NO.	PART NO.	DESCRIPTION	KEY NO.	PART NO.	DESCRIPTION
1	171684	Seat	14	72050412	Bolt Rdhd Sqnk 1/4-20x1-1/2
2	140551	Bracket Pivot Seat 8 720	15	121249X	Spacer Split 28x 88
3	71110616	Bolt Fin Hex 3/8-16 Unc x 1	16	123740X	Spring Cprsn
4	19131610	Washer Flat 13/32 x 1 x 10 Ga.	17	123976X	Nut Lock 1/4 Lge Flg Gr 5 Zinc
5	145006	Clip Push-In	21	171852	Bolt Shoulder 5/16-18 Unc
6	73800600	Nut Hex w/Ins. 3/8-16 Unc	22	73800500	Nut Hex Lock W/Ins 5/16-18
7	124181X	Spring Seat Cprsn 2 250 Blk Zi	24	19171912	Washer 17/32 X 1-3/16 X 12 Ga.
8	17000616	Screw 3/8-16 x 1	25	127018X	Bolt Shoulder 5/16-18 X 62
9	19131614	Washer 13/32 x 1 x 14 Ga.	27	17490608	Screw Thdrol 3/8-16 x 1/2
10	174894	Pan Seat	28	171877	Bolt 5/16-18 Unc x 3/4 w/Sems
11	166369	Knob Seat Adj. Wingnut			
12	121246X	Bracket Mounting Switch			
13	121248X	Bushing Snap Blk Nyl 50 Id			

**NOTE:** All component dimensions given in U.S. inches.  
1 inch = 25.4 mm

# REPAIR PARTS

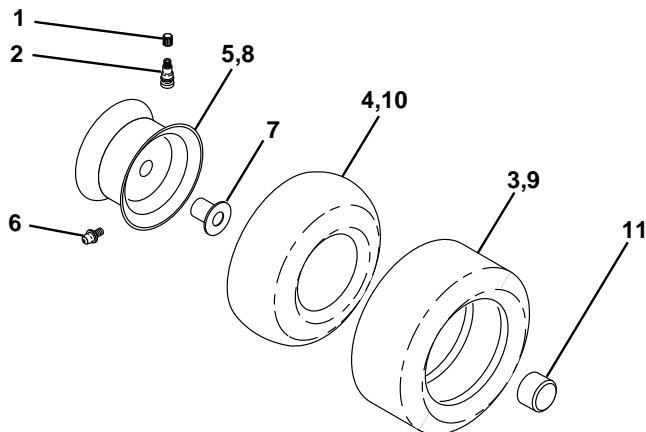
## TRACTOR - MODEL NUMBER DPR22H46STA

### DECALS



KEY NO.	PART NO.	DESCRIPTION	KEY NO.	PART NO.	DESCRIPTION
1	164095	Decal Dash	11	172743	Decal Ins Strg Whl
2	176303	Decal Fender Auto	14	160397	Decal V-Belt Schematic
3	176273	Decal Hood LH	16	176272	Decal Hood Rh
4	176274	Decal Side Panel	17	164657	Decal Clutch
5	170852	Decal HP Engine	20	145005	Decal Bat Dan/Psn
6	173587	Decal Reflector Rh	--	169210	Decal By Pass Lt Hydro
7	173589	Decal Reflector Lh	--	165800X428	Pad Footrest Lh
8	170563	Decal Warning Mower	--	138311	Decal Handle Lft Height Adjust
9	172740	Decal Fender Logo	--	165799X428	Pad Footrest Rh
10	157140	Decal Fender Danger E/F	--	176975	Manual Owner's (English)
			--	176976	Manual Owner's (French)

### WHEELS & TIRES



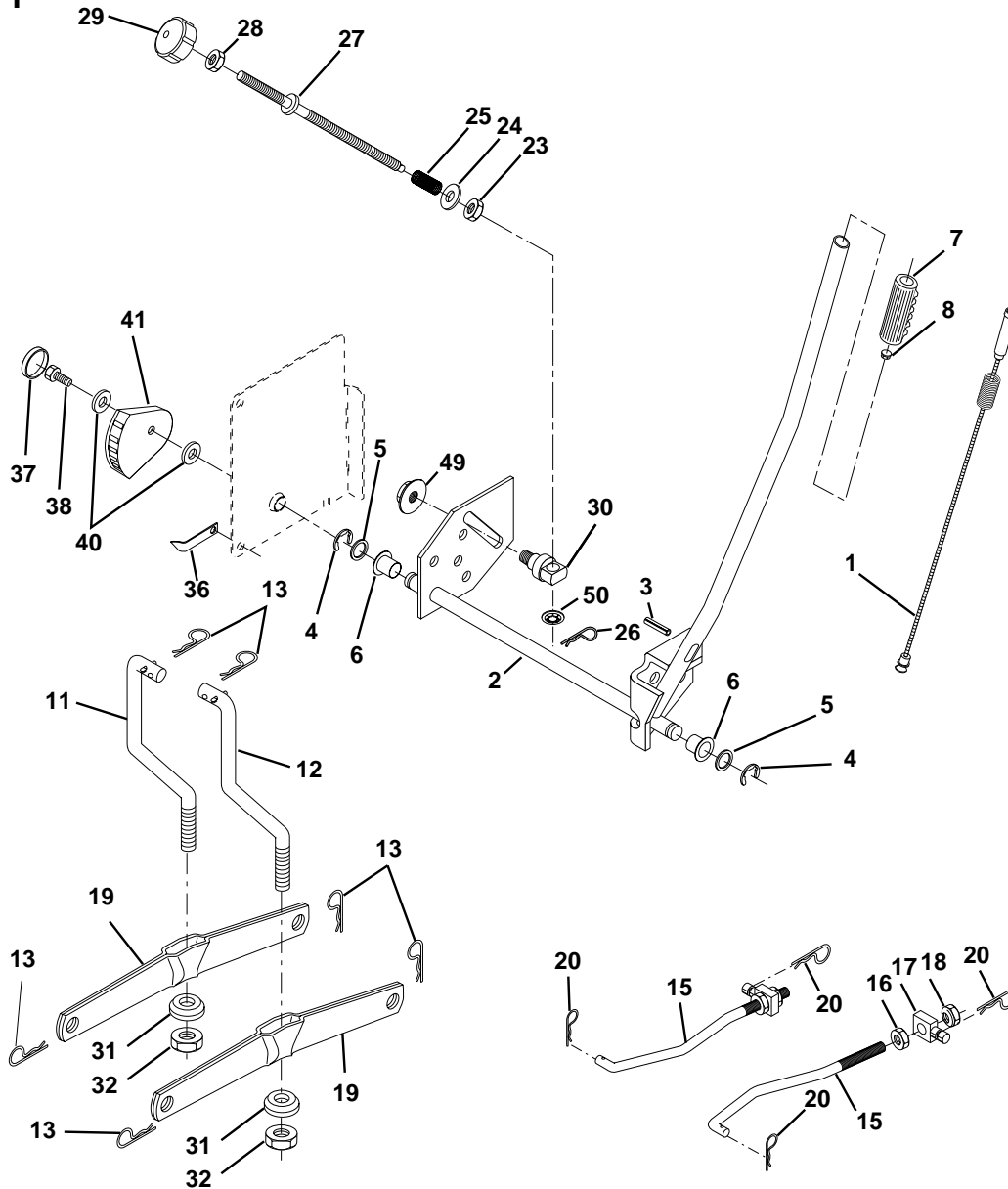
KEY NO.	PART NO.	DESCRIPTION
1	59192	Cap Valve Tire
2	65139	Stem Valve
3	170455	Tire F T 15 X 6 0 - 6 Service
4	59904	Tube Front (Service Item Only)
5	106732X421	Rim Asm 6"front Service
6	278H	Fitting Grease (Front Wheel Only)
7	9040H	Bearing Flange (Front Wheel Only)
8	106108X421	Rim Asm 8"rear Service
9	170456	Tire R T 20x10 -8 C Service
10	7152J	Tube Rear (Service Item Only)
11	104757X428	Cap Axle Blk 1 50 X 1 00
--	144334	Sealant, Tire ( 10 oz. Tube)

**NOTE:** All component dimensions given in U.S. inches  
1 inch = 25.4 mm

# REPAIR PARTS

## TRACTOR - MODEL NUMBER DPR22H46STA

### MOWER LIFT



KEY NO.	PART NO.	DESCRIPTION
1	159461	Wire Asm Inner/Sprg W/plunger
2	159476	Shaft Asm Lift RH w/Inf
3	138284	Pin Groove
4	12000002	E Ring #5133-62
5	19211621	Washer 21/32 X 1 X 21 Ga
6	120183X	Bearing Nylon Blk 629 Id
7	125631X	Grip Handle
8	170770	Button Plunger
11	139865	Link Lift LH Fixed Length
12	139866	Link Lift RH Fixed Length
13	4939M	Retainer Spring
15	173288	Link Front
16	73350800	Nut Jam Hex 1/2-13 Unc
17	130171	Trunnion Blk Zinc
18	73800800	Nut Lock w/Wsh 1/2-13unc
19	139868	Arm Suspension Rear
20	163552	Retainer Spring
23	110807X	Nut Special

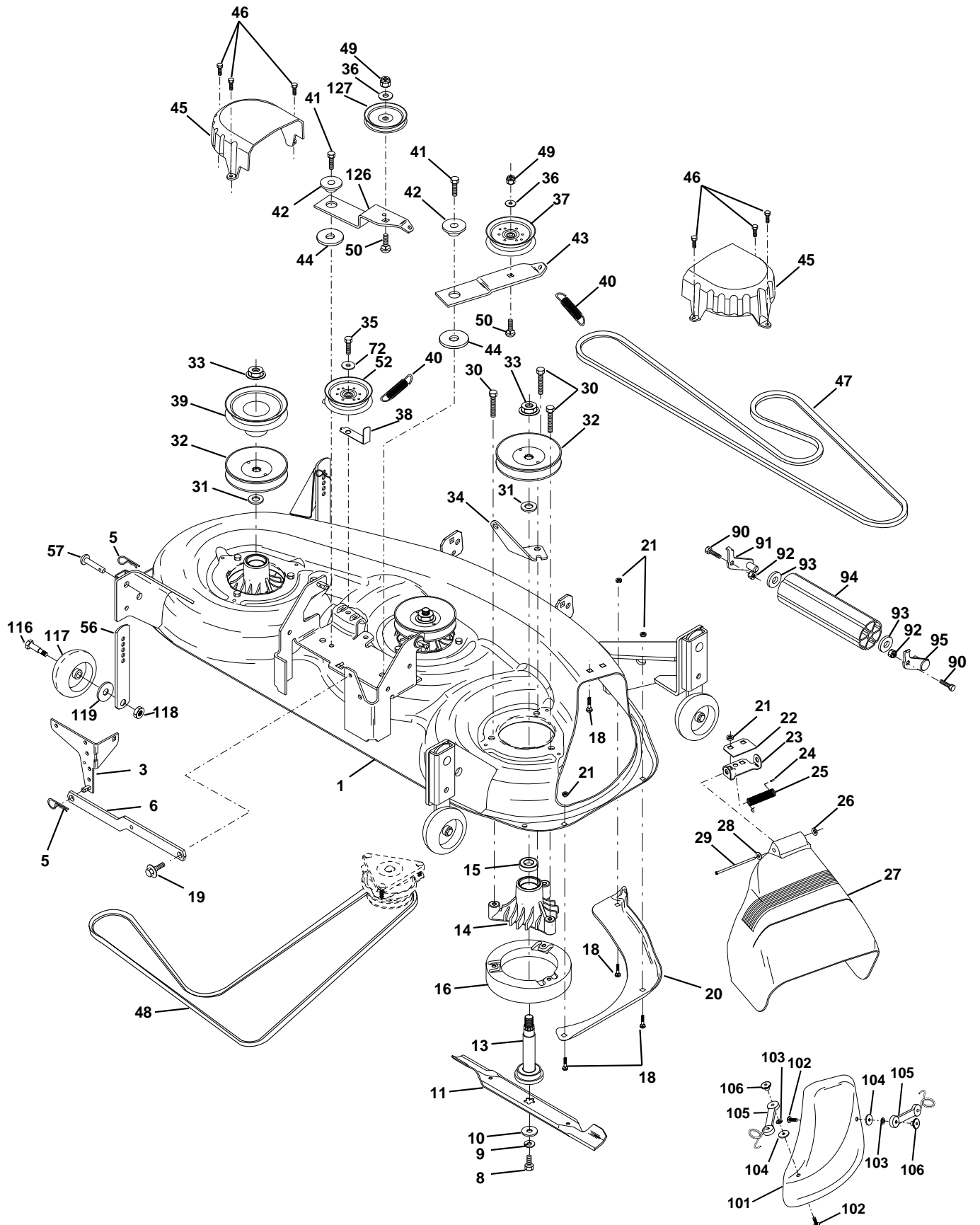
KEY NO.	PART NO.	DESCRIPTION
24	19131016	Washer 13/32 X 5/8 X 16 Ga
25	164024	Spring
26	169484	Retainer Clip
27	164543	Rod Adj Lift
28	73350600	Nut Hex Jam 3/8-16 Unc
29	138057	Knob Inf 3/8-16 Unc Blk W/sym
30	150233	Trunnion Infin Height
31	169865	Bearing Pvt Lift
32	73540600	Nut Crownlock 3/8 - 24
36	155097	Pointer Height Indicator
37	123935X	Plug Hole Blk 1.485/1.515 Dia.
38	17060516	Screw 5/16-18 x 1
40	19112410	Washer 11/32 x 1-1/2 10 Ga.
41	155098	Indicator Height STLT
49	145212	Nut Hex Flange Lock
50	110452X	Nut PUsh Phos & Oil

**NOTE:** All component dimensions given in U.S. inches  
1 inch = 25.4 mm

# REPAIR PARTS

## TRACTOR - MODEL NUMBER DPR22H46STA

### MOWER DECK



# REPAIR PARTS

## TRACTOR - MODEL NUMBER DPR22H46STA

### MOWER DECK

KEY NO.	PART NO.	DESCRIPTION	KEY NO.	PART NO.	DESCRIPTION
1	156833X421	Deck Asm., Mower 46"	43	144949X421	Arm, Idler Secondary
3	138457	Bracket Asm., Sway Bar	44	133943	Washer, Hardened
5	4939M	Retainer Spring	45	145059	Cover, Mandrel Deck
6	130832	Arm, Suspension, Rear (Sway Bar)	46	137729	Screw, Thdroll. 1/4-20 x 5/8
8	850857	Bolt, Patched 3/8-24 x 1-1/4 Gr. 8	47	144959	V-Belt, Mower, Secondary
9	10030600	Washer, Lock Hvy., Unplated 3/8	48	148763	V-Belt, Mower, Primary
10	140296	Washer, Hard Blade, Mower Vented	49	73680600	Nut, Crownlock 3/8-16 UNC
11	170698	Blade, 46" Hi Perf	50	72110612	Bolt, Carriage 3/8-16 x 1-1/2 Gr. 5
--	152443	Blade, 46" Mulching	52	173901	Pulley Idler 46 Pri. Drive
13	137553	Shaft Asm. w/Lower Bearing	56	155986	Bar Adjusting Gauge wheel
14	137152	Housing, Mandrel	57	156941	Pin Head Rivet
15	110485X	Bearing, Ball, Mandrel	72	19131616	Washer 13/32 x 1 x 16 Ga.
16	174493	Stripper, Mower Round	90	74760616	Bolt, Fin, Hex 3/8-16 UNC x 1
18	72140505	Bolt, Carriage 5/16-18 x 5/8	91	132274	Bracket, Asm Noseroller, LH
19	132827	Bolt, Hex Head, Shoulder 5/16-18	92	73800600	Nut, Lock, Hex w/Ins 3/8-16UNC
20	145055	Baffle, Vortex Mower 46"	93	19171416	Washer 17/32 x 7/8 x 16 Ga.
21	73680500	Nut, Crownlock 5/16-18 UNC	94	132264	Roller, Nose 38 & 42
22	134753X421	Stiffener, Bracket	95	132273	Bracket, asm Noseroller RH
23	131267X421	Bracket, Deflector	101	145579	Cover Mulcher 46" Black
24	105304X	Cap, Sleeve	102	71161010	Screw Phillips Truss Head
25	149287	Spring, Torsion, Deflector	103	10071000	Washer Lock #10
26	110452X	Nut, Push	104	19061216	Washer #10
27	166883X428	Shield, Deflector Mower	105	160793	Latch Asm mulch/Bagger
28	19111016	Washer 11/32 x 5/8 x 16 Ga.	106	2029J	Nut Weld
29	131491	Rod, Hinge	116	137644	Bolt, Shoulder
30	157722	Screw, WshHead, Thdroll	117	133957	Gauge Wheel
31	129963	Washer, Spacer Mower Vented	118	73930600	Nut, Centerlock 3/8-16 UNC
32	173434	Pulley, Mandrel	119	19121414	Washer 3/8 x 7/8 x 14 Ga.
33	137266	Nut, Flg. Top Lock Cntr. 9/16	126	144948X421	Arm, Idler, Primary Deck 46"
34	144945X421	Anchor, Spring Deck 46"	127	173902	Pulley, Idler, V-Groove Dim. 4.25
35	17490628	Screw, Thdroll 3/8-16 x 1-3/4 Tytt	--	143651	Mandrel Assembly ( Includes Key Nos. 8-10, 13-15, 31 and 33)
36	19131316	Washer 13/32 x 13/16 x 16 Ga.	--	173559	Mower Serv 46" (Standard Deck Order nose roller, gauge wheels, and mulch plate separately Key Nos. 90-95, 101-106, and 116-118)
37	173438	Pulley, Idler, Flat			
38	173900	Keeper, Belt, Idler			
39	173899	Pulley, Idler, Driven			
40	137273	Spring, Secondary 44/46/50 Vent			
41	17060620	Screw 3/8-16 x 1-1/4			
42	122052X	Spacer, Retainer			

**NOTE:** All component dimensions given in U.S. inches  
1 inch = 25.4 mm