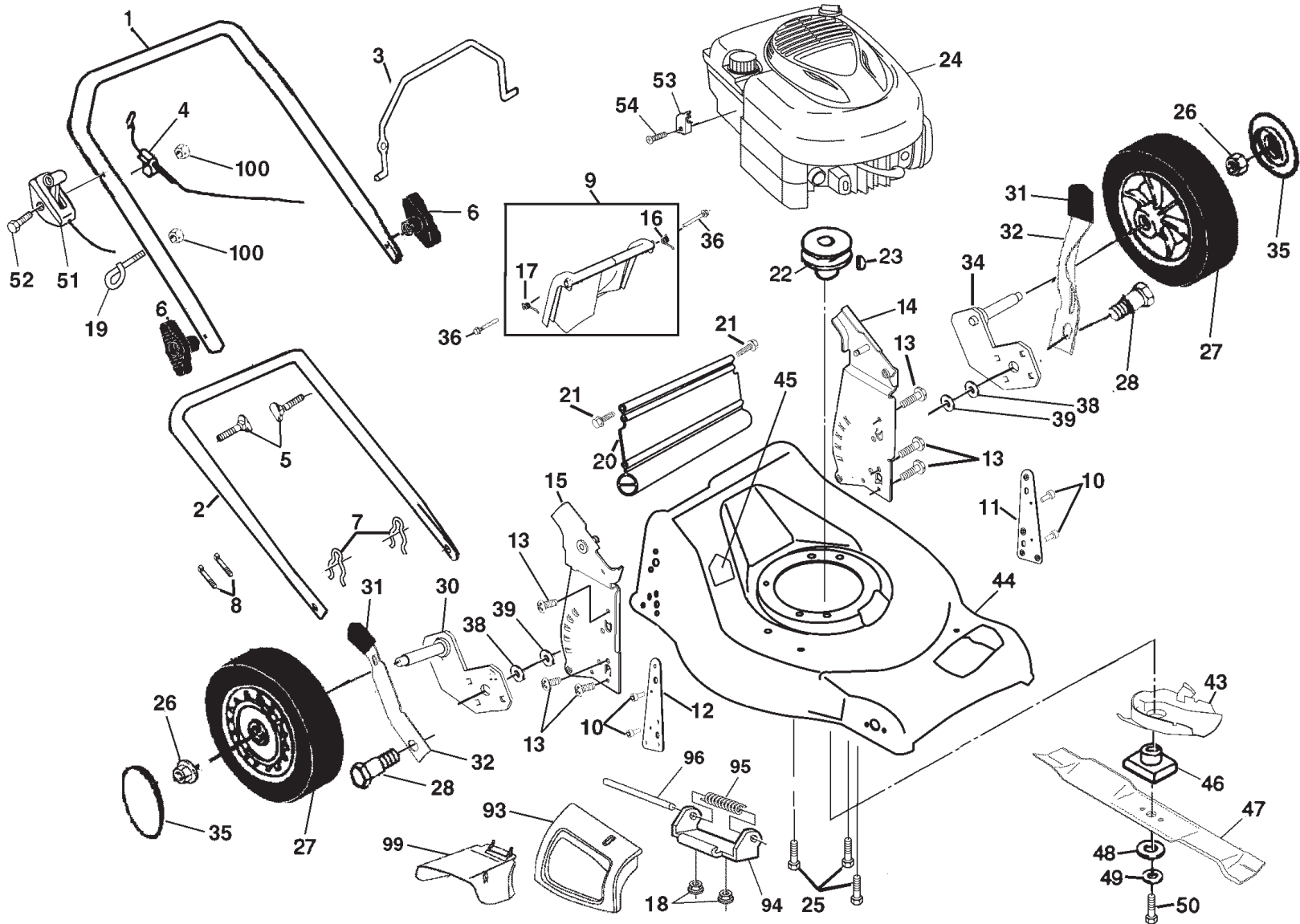


ROTARY LAWN MOWER - - MODEL NUMBER KC6Y21CA



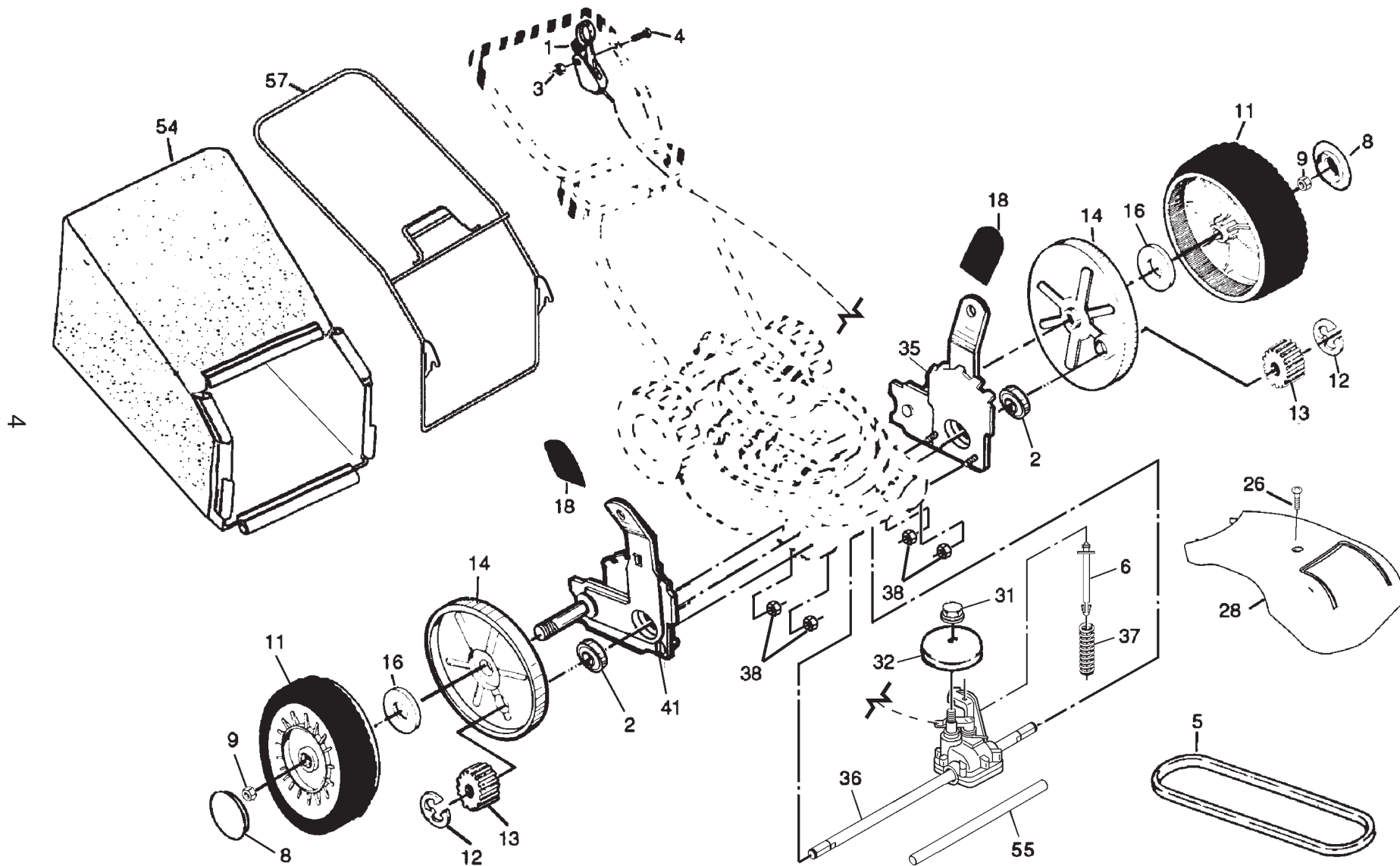
ROTARY LAWN MOWER - - MODEL NUMBER KC6Y21CA

3

| KEY NO. | PART NO. | DESCRIPTION | KEY NO. | PART NO. | DESCRIPTION |
|------------|-------------|--|------------|-------------|---|
| 1 | 166862X479 | Upper Handle | 32 | 175060X004 | Selector Spring |
| 2 | 151721X479 | Lower Handle | 34 | 165762X004 | Axle Arm Assembly LR |
| 3 | 145794 | Control Bar | 35 | 186306 | Hubcap |
| 4 | 133107 | Engine Zone Control Cable | 36 | 184193 | Bolt |
| 5 | 131959 | Handle Bolt | 38 | 176185 | Washer |
| 6 | 136376 | Handle Knob | 39 | 176235 | Push Nut |
| 7 | 51793 | Hairpin Cotter | 43 | 175083 | Bottom Belt Cover |
| 8 | 66426 | Wire Tie | 44 | 186938 | Lawn Mower Housing |
| 9 | 180479 | Rear Door Kit (Incl. Key #16 & 17) | 45 | 141846 | Danger Decal |
| 10 | 128415 | Pop Rivet | 46 | 851514 | Blade Adapter |
| 11 | 175069X479 | Support Bracket LH | 47 | 175064 | Blade 21" |
| 12 | 175070X479 | Support Bracket RH | 48 | 851074 | Hardened Washer |
| 13 | 17060410 | Screw 14-20 x 5/8 | 49 | 850263 | Helical Washer 3/8-24 x 1-3/8 Gr. 8 |
| 14 | 175082X479 | Handle Bracket Assembly (Left) | 50 | 851084 | Hex Head Machine Screw 3/8-24 x 1-3/8 Gr. 8 |
| 15 | 175081X479 | Handle Bracket Assembly (Right) | 51 | 700417 | Throttle Control |
| 16 | 180071 | Spring LH | 52 | 144929 | Screw |
| 17 | 180072 | Spring RH | 53 | 111190X | Clamp, Cable |
| 18 | 73800400 | Keps Locknut 1/4-20 | 54 | 83816 | Screw |
| 19 | 179585 | Rope Guide | 93 | 175066 | Mulcher Door |
| 20 | 178398 | Rear Skirt | 94 | 175735 | Hinge Bracket |
| 21 | 88652 | Hinge Screw 1/4-20 x 1-1/4 | 95 | 175285 | Spring |
| 22 | 84596 | Engine Pulley | 96 | 175650 | Rod, Hinge |
| 23 | 87677 | Hi-Pro Key #505 | 99 | 175071 | Discharge Deflector |
| 24 | --- | Engine, Briggs & Stratton, Model Number 12H802 (order parts from engine manufacturer) | 100 | 132004 | Nut, Hex |
| 25 | 150406 | Hex Head Thread Rolling Srew 3/8-16 x 1-1/8 | -- | 161058 | Warning Decal (Not Shown) |
| 26 | 83923 | Hex Flange Nut | -- | 172787 | Operator's Manual, English |
| 27 | 167628 | Wheel | -- | 172789 | Operator's Manual, Spanish |
| 28 | 175231 | Shoulder Bolt | -- | 186936 | Repair Parts Manual, English |
| 30 | 165761X004 | Axle Arm Assembly RR | | | |
| 31 | 87877 | Selector Knob | | | |

NOTE: All component dimensions given in U.S. inches.
1 inch = 25.4 mm

ROTARY LAWN MOWER -- MODEL NUMBER KC6Y21CA



ROTARY LAWN MOWER - - MODEL NUMBER KC6Y21CA

5

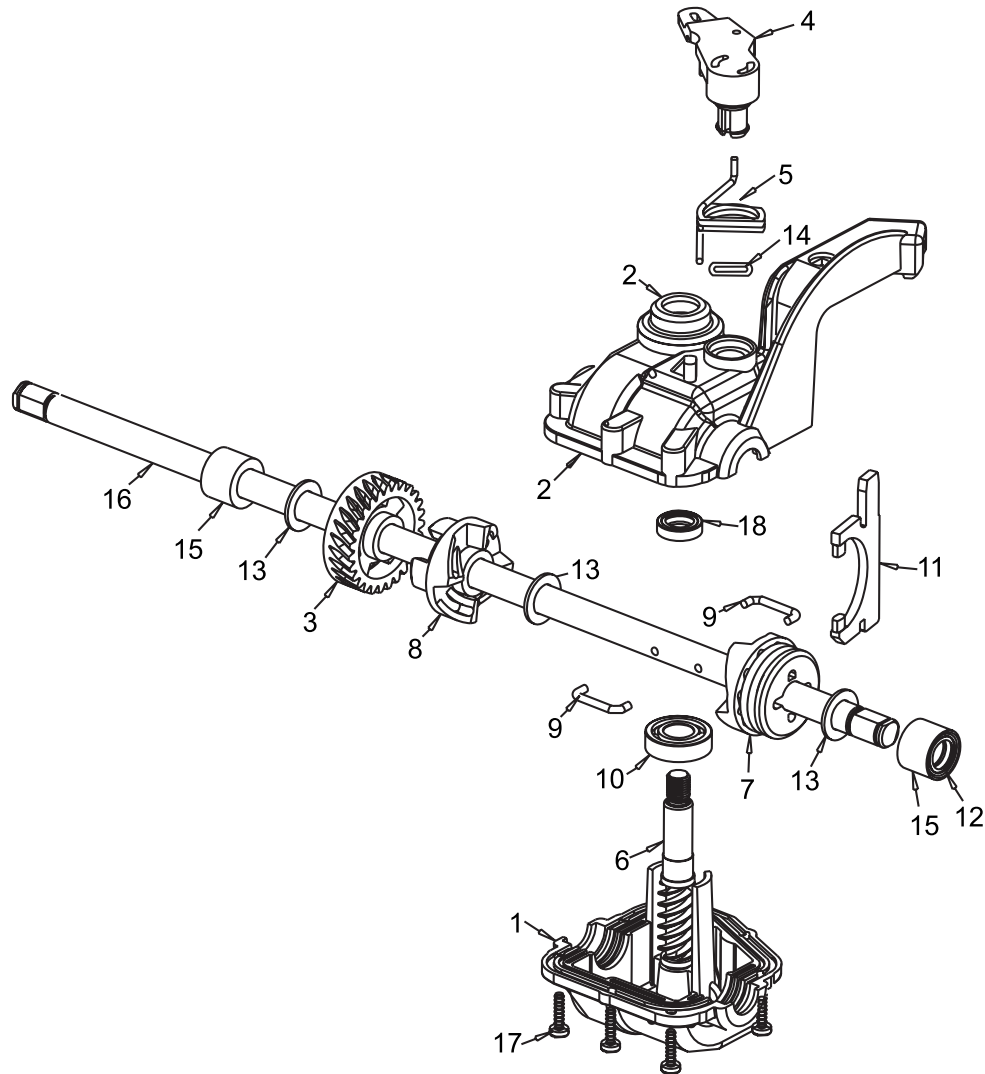
| KEY NO. | PART NO. | DESCRIPTION |
|---------|----------|---------------------------------------|
| 1 | 184588 | Control Cable Assembly |
| 2 | 167387 | Bearing, Wheel Adjuster |
| 3 | 751152 | Locknut #10-24 |
| 4 | 158755 | Hex Washer Head Screw 1/4-20 x 2.12 |
| 5 | 175436 | V-Belt |
| 6 | 150495 | Spring Retainer |
| 8 | 186306 | Hubcap |
| 9 | 145212 | Locknut |
| 11 | 180767 | Wheel & Tire Assembly |
| 12 | 12000058 | E-Ring |
| 13 | 137054 | Pinion |
| 14 | 180504 | Dust Cover |
| 16 | 67725 | Washer 1/2 x 1-1/2 x .134 |
| 18 | 87877 | Selector Knob |
| 26 | 175262 | Pan Head Tapping Screw #10-24 x 2-3/4 |

| KEY NO. | PART NO. | DESCRIPTION |
|---------|----------|--|
| 28 | 181468 | Dive Cover |
| 31 | 132010 | Hex Flange Nut |
| 32 | 137052 | Drive Pulley |
| 35 | 151521 | Kit, Wheel Adjuster, LH (Includes Knob and Bearing) |
| 36 | 180184 | Gear Case Assembly (See Breakdown) |
| 37 | 137090 | Spring |
| 38 | 73800400 | Locknut 1/4-20 |
| 41 | 151520 | Kit, Wheel Adjuster, RH (Includes Knob and Bearing) |
| 54 | 186937 | Grassbag Assembly |
| 55 | 175739 | Driveshaft Cover |
| 57 | 183993 | Frame, Grassbag |

NOTE: All component dimensions given in U.S. inches.
1 inch = 25.4 mm

ROTARY LAWN MOWER - - MODEL NUMBER KC6Y21CA

GEARCASE ASSEMBLY - - PART NUMBER 180184



| KEY NO. | PART NO. | DESCRIPTION |
|---------|----------|---|
| 1 | 183497 | Case, Lower |
| 2 | 183498 | Case, Upper |
| 3 | 183499 | Gear, 27 Teeth |
| 4 | 183500 | Lever, Clutch |
| 5 | 183501 | Spring, Return |
| 6 | 183502 | Shaft, Input |
| 7 | 183503 | Dog, Movable |
| 8 | 183504 | Dog, Fixed |
| 9 | 183505 | Wire, Formed |
| 10 | 183506 | Bearing, Ball |
| 11 | 183507 | Fork, Shift |
| 12 | 183508 | Seal, Output Shaft |
| 13 | 183509 | Washer |
| 14 | 183510 | Seal, Case |
| 15 | 183511 | Bushing |
| 16 | 183512 | Shaft, Output |
| 17 | 183513 | Screw |
| 18 | 183514 | Seal, Input Shaft |
| -- | 183404 | Kit, Gearcase Replacement (Includes Instructions) |

NOTE: Use Dow Corning #709 to reseal Gear Case Halves.

NOTE: All component dimensions given in U.S. inches.
1 inch = 25.4 mm