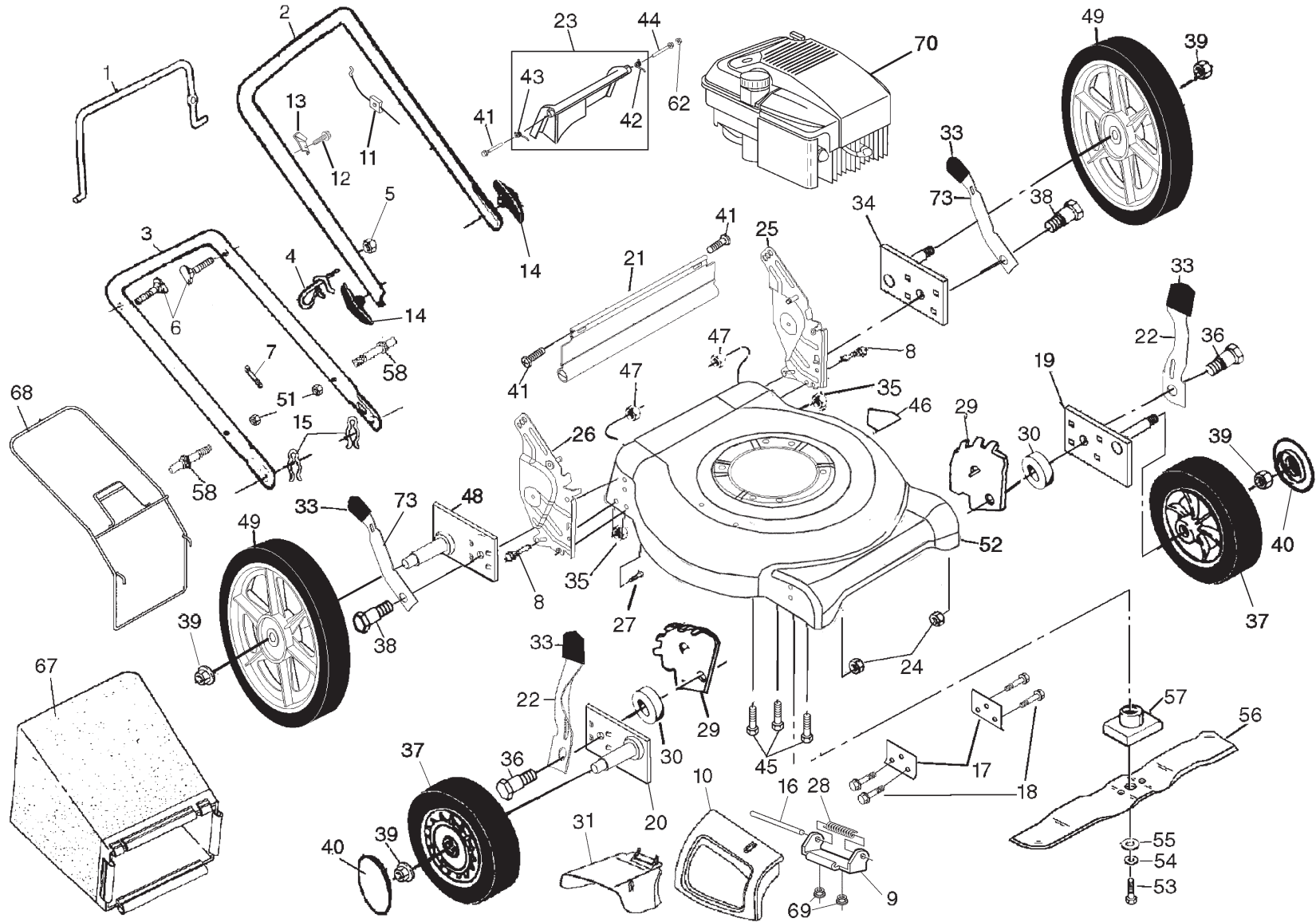


# ROTARY LAWN MOWER - - MODEL NUMBER LO45N21CA



## ROTARY LAWN MOWER - - MODEL NUMBER LO45N21CA

KEY NO.	PART NO.	DESCRIPTION	KEY NO.	PART NO.	DESCRIPTION
1	131696	Control Bar	37	800220	Wheel Assembly
2	166860X479	Upper Handle	38	164362	Shoulder Bolt
3	161105X479	Lower Handle	39	83923	Flanged Locknut
4	179585	Rope Guide	40	800090	Hubcap
5	132004	Locknut 1/4-20	41	88652	Hinge Screw
6	131959	Handle Bolt	42	165766	Spring (LH)
7	66426	Wire Tie	43	165767	Spring (RH)
8	74780512	Hex Bolt 5/16-18 x 3/4	44	185819	Door Bolt
9	154132	Bracket	45	150406	Hex Head Thread Rolling Screw 3/8-16 x 1
10	165754	Mulcher Door	46	85463	Danger Decal
11	176556	Engine Zone Control Cable	47	73800500	Locknut, Hex
12	750634	Hex Washer Head Screw #10-24 x 1/2	48	180410X004	Axle Arm Assembly - RR
13	86899X004	Up-Stop Bracket	49	188808	Wheel
14	136376	Handle Knob	51	73990500	Nut
15	51793	Hairpin Cotter	52	188807	Housing Assembly (Includes Key Numbers 17, 18 and 46)
16	147286	Rod, Hinge	53	851084	Hex Head Screw 3/8-24 x 1-3/8 Grade 8
17	165946X479	Support Bracket	54	850263	Helical Lockwasher
18	17600406	Screw	55	851074	Hardened Washer
19	186577X004	Axle Arm Assembly - LF	56	175064	21" Blade
20	186578X004	Axle Arm Assembly - RF	57	851514	Blade Adapter
21	165858	Rear Skirt	58	161551	Adjustment Bolt
22	168360X004	Selector Spring	62	751152	Nut, Hex
23	186612	Rear Door Assembly Kit (Includes Springs)	67	188805	Grass Bag
24	73930500	Locknut 5/16-18	68	180332	Frame, Grass Bag
25	186212X479	Handle Bracket Assembly (Left)	69	73800400	Nut, Hex
26	186213X479	Handle Bracket Assembly (Right)	70	- - -	Engine, Briggs & Stratton, Model Number 127802 (Order parts from Engine Manufacturer)
27	851856	Screw 1/4-20 x 3/8	73	168360X004	Spring, Selector
28	152124	Spring, Hinge	--	161058	Warning Decal (Not Shown)
29	160835X007	Wheel Adjusting Bracket - Front	--	172782	Operator's Manual
30	183901	Washer, Flat	--	188811	Repair Parts Manual
31	165760	Deflector, Discharge			
33	87877	Selector Knob			
34	180409X004	Axle Arm Assembly - LR			
35	166785	Locknut 5/16-18			
36	160828	Shoulder Bolt 5/16-18			

**NOTE:** All component dimensions given in U.S. inches.  
1 inch = 25.4 mm