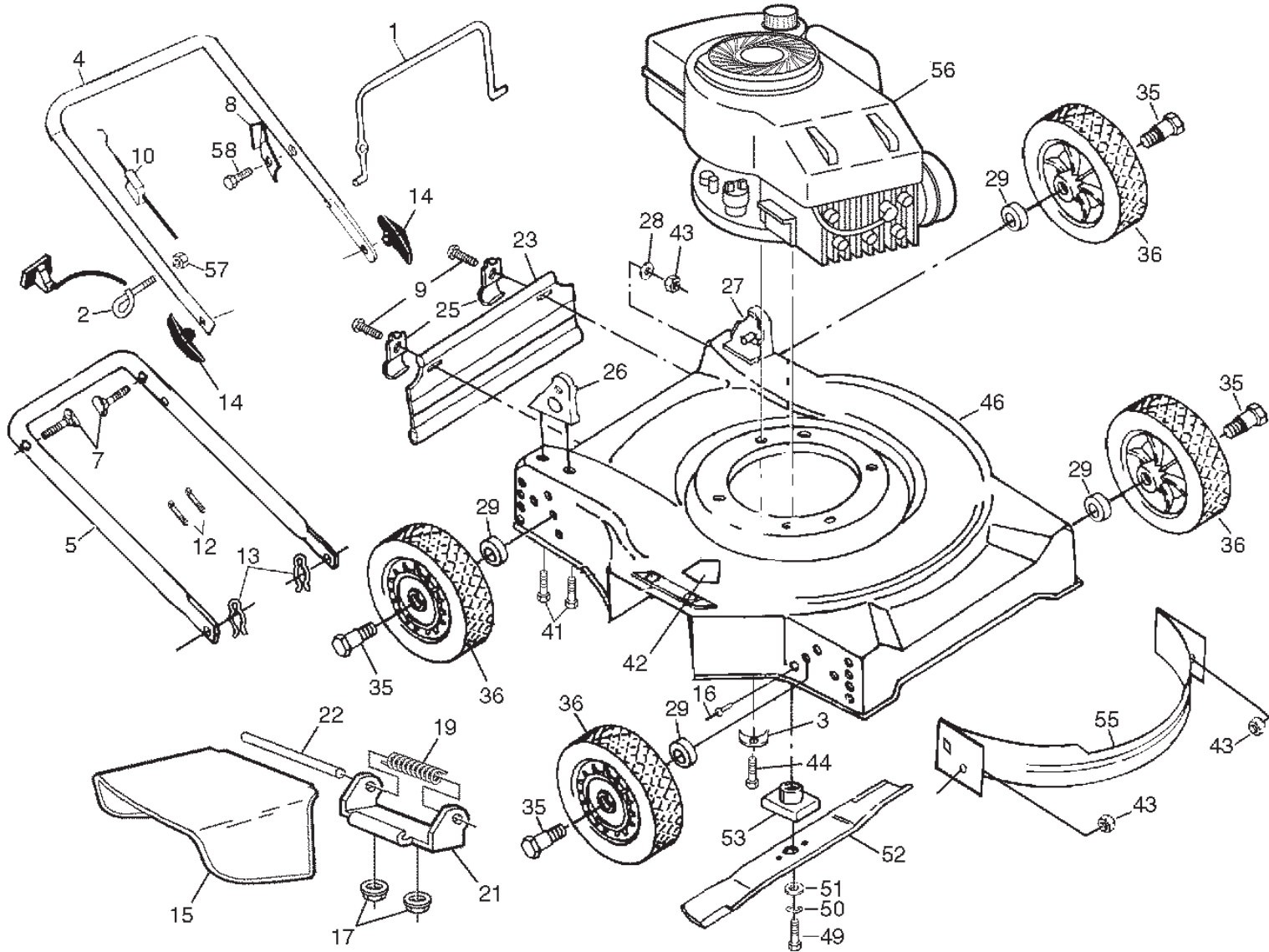


# ROTARY LAWN MOWER - - MODEL NUMBER P35TN20SG



## ROTARY LAWN MOWER - - MODEL NUMBER P35TN20SG

KEY NO.	PART NO.	DESCRIPTION	KEY NO.	PART NO.	DESCRIPTION
1	131696	Control Bar	35	<b>67609</b>	Shoulder Bolt
2	179585	Rope Guide	36	<b>800060</b>	Wheel and Tire Assembly
3	851201X004	Engine Washer	41	149741	Thread Cutting Screw 5/16-18 x 3/4
4	183496X479	Upper Handle	42	85463	Danger Decal
5	151590X479	Lower Handle	43	751592	Locknut 3/8-16
7	131959	Handle Bolt 5/16-18 x 1-3/4	44	150406	Hex Head Thread Rolling Screw 3/8-16 x 1-1/8
8	850733X004	Up-Stop Bracket	46	171089	Lawn Mower Housing
9	750097	Hex Washer Head Screw #10-24 x 1/2	49	851084	Hex Head Screw 3/8-24 x 1-3/8 (Grd.8)
10	<b>164322</b>	Engine Zone Control Cable	50	850263	Helical Lock washer 3/8
12	66426	Wire Tie	51	851074	Hardened Washer
13	51793	Hair Pin Cotter	52	<b>145106</b>	Blade 20
14	<b>128638</b>	STD. Knobs	53	850977	Blade Adapter
15	752052	Discharge Guard	55	700839X479	Front Baffle
16	128415	Rivet	56	---	Engine, Tecumseh, Model Number LEV90 (Order parts from engine manufacturer)
17	63601	Locknut 1/4-20	57	132004	Nut, Hex 1/4-20
19	851855	Torsion Spring	58	750634	Screw, Thd., Roll. #10-24 x .50
21	88602	Hinge Deflector	--	161058	Warning Decal (Not Shown)
22	150215	Hinge Rod	--	<b>185321</b>	Replacement Parts Manual
23	<b>140541</b>	Rear Deflector	--	172782	Operator's Manual (English)
25	87584X004	Deflector Bracket	--	172784	Operator's Manual (Spanish)
26	170345X479	Handle Bracket Assembly (Right)			
27	170346X479	Handle Bracket Assembly (Left)			
28	61537	Washer			
29	<b>136624</b>	Spacer			

**NOTE:** All component dimensions given in U.S. inches  
1 inch = 25.4 mm