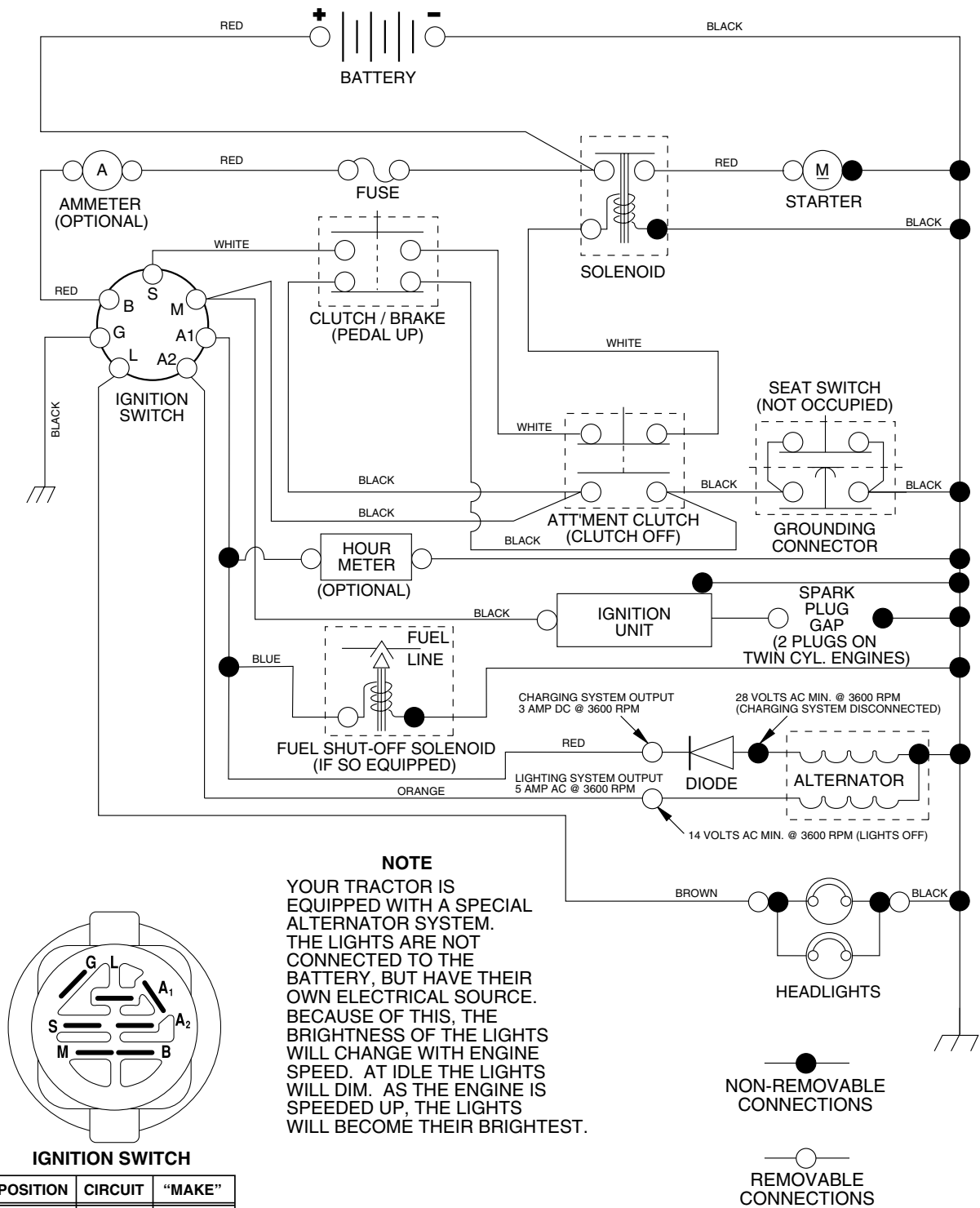


REPAIR PARTS

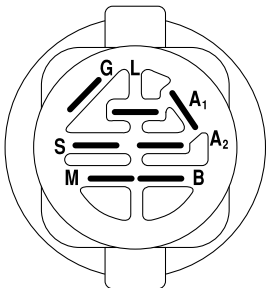
TRACTOR - - MODEL NUMBER PC1742STB

SCHEMATIC



NOTE

YOUR TRACTOR IS EQUIPPED WITH A SPECIAL ALTERNATOR SYSTEM. THE LIGHTS ARE NOT CONNECTED TO THE BATTERY, BUT HAVE THEIR OWN ELECTRICAL SOURCE. BECAUSE OF THIS, THE BRIGHTNESS OF THE LIGHTS WILL CHANGE WITH ENGINE SPEED. AT IDLE THE LIGHTS WILL DIM. AS THE ENGINE IS SPEEDED UP, THE LIGHTS WILL BECOME THEIR BRIGHTEST.



IGNITION SWITCH

POSITION	CIRCUIT	"MAKE"
OFF	M+G+A1	NONE
RUN/LIGHT	B+A1	A2+L
RUN	B+A1	NONE
START	B + S + A1	NONE

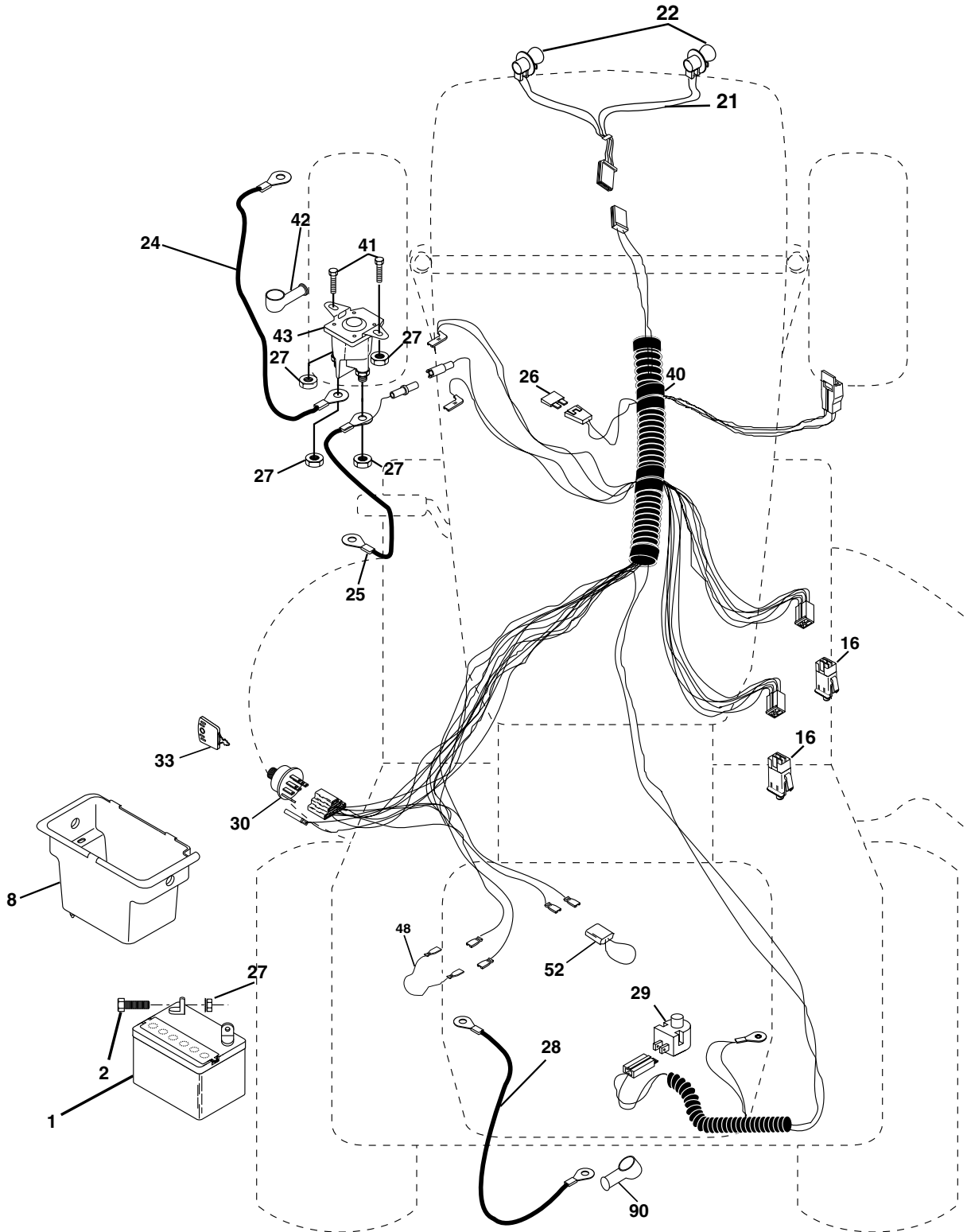
WIRING INSULATED CLIPS

NOTE: IF WIRING INSULATED CLIPS WERE REMOVED FOR SERVICING OF UNIT, THEY SHOULD BE REPLACED TO PROPERLY SECURE YOUR WIRING.

REPAIR PARTS

TRACTOR - - MODEL NUMBER PC1742STB

ELECTRICAL



REPAIR PARTS

TRACTOR - - MODEL NUMBER PC1742STB

ELECTRICAL

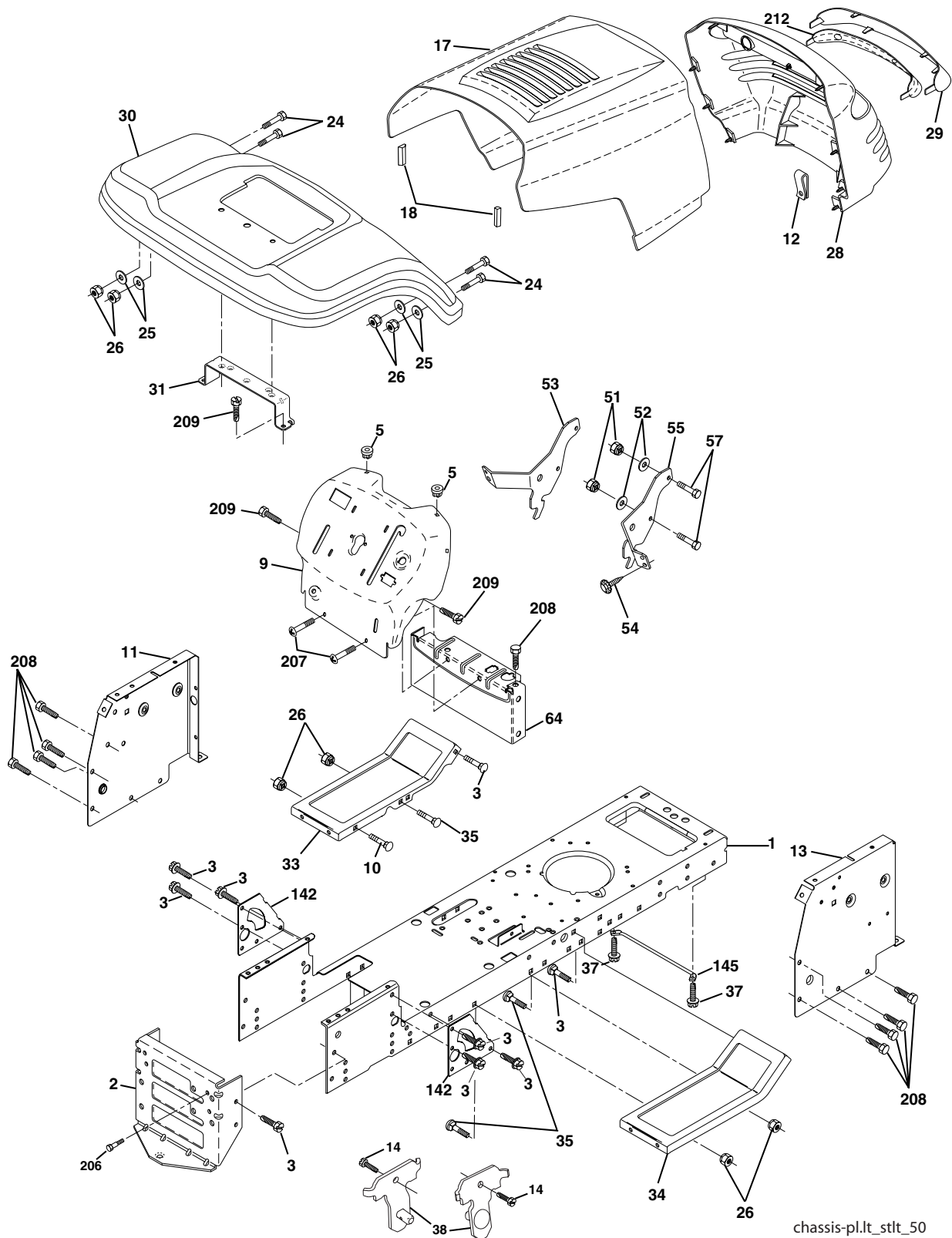
KEY NO.	PART NO.	DESCRIPTION
1	163465	Battery 12 Volt 25 Amp
2	74760412	Bolt Hex Hd 1/4-20unc x 3/4
8	176689	Box Battery
16	176138	Switch Interlock Push -In
21	175685	Harness Asm Light W/4152J
22	4152J	Bulb Light #1156
24	4799J	Cable Battery 6 Ga 11"red
25	146147	Cable Battery 6 Ga w/16 wire,red
26	175158	Fuse 20 AMP
27	73510400	Nut Keps Hex 1/4-20 Unc
28	4207J	Cable Ground 6 Ga 12" black
29	121305X	Switch Plunger Nc Gray
30	175566	Switch Ign
33	140401	Key Ign
40	179720	Harness Ign
41	71110408	Bolt Blk Fin Hex 1/4-20 x 1/2
42	131563	Cover Terminal Red
43	178861	Solenoid
48	140844	Adapter Ammeter
52	141940	Protection Wire Loop
90	180449	Cover Terminal

NOTE: All component dimensions give in U.S. inches
1 inch = 25.4 mm.

REPAIR PARTS

TRACTOR - - MODEL NUMBER PC1742STB

CHASSIS AND ENCLOSURES



chassis-pl.It_sttt_50

REPAIR PARTS

TRACTOR - - MODEL NUMBER PC1742STB

CHASSIS AND ENCLOSURES

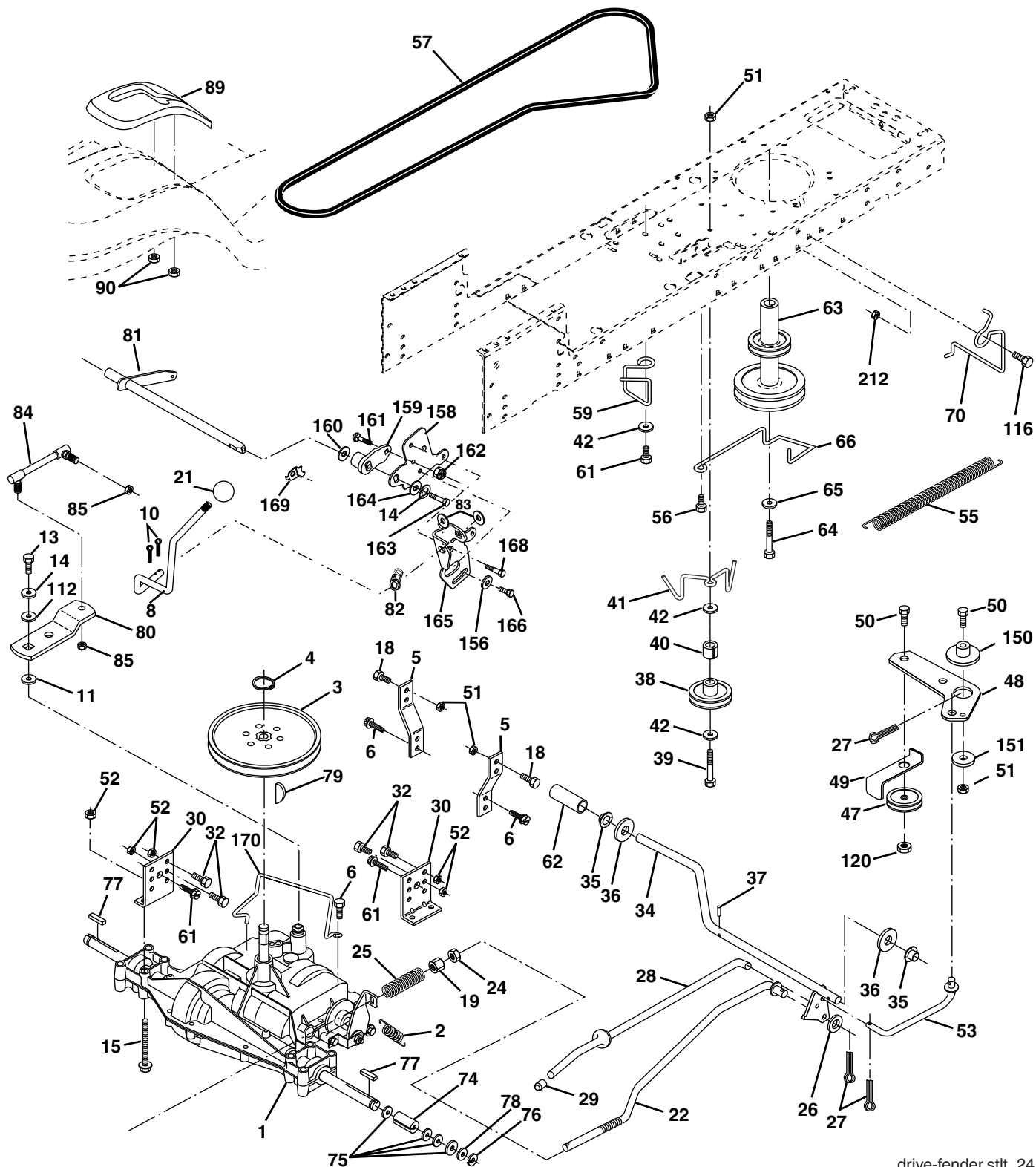
KEY NO.	PART NO.	DESCRIPTION
1	174619	Chassis
2	176554	Drawbar
3	17060612	Screw 3/8-16 x.75
5	155272	Bumper Hood/Dash
9	168336X010	Dash P/L
10	72140608	Bolt Carriage 3/8-16 x 1
11	174996	Panel Dash Lh
12	145660	Clip Tinnerman
13	172105X010	Panel Dash Rh
14	17490608	Screw Thdrol 3/8-16 x 1-1/4
17	159639X428	Hood LT/PL
18	184921	Bumper Hood
24	74780616	Bolt Fin Hex 3/8-16 x 1 Gr 5
25	19131312	Washer 13/32 x 13/16 x 12 Ga
26	73800600	Nut Lock Hex W/Ins 3/8-16 Unc
28	179844	Grille LT/PL
29	170472X599	Lens LT/PL
30	169468X428	Fender Footrest STLT Pnt
31	136619	Bracket Support Fender
33	179716X428	Footrest Pnt Lh
34	179717X428	Footrest Pnt Rh
35	72110606	Bolt Rdhd Sht Sqnk 3/8-16 x 3/4
37	17490508	Screw Thdrol 6/16-18 x 1/2 TYT
38	175710	Bracket Asm. Pivot Mower Rear
51	73800400	Nut Lock Hex W/Ins 1/4-20
52	19091416	Washer 9/32 x 7/8 x 16 Ga.
53	144697	Bracjet Grukke Lh
54	161464	Screw Hex Wshd 8-18 x 7/8
55	144696	Bracket Grille Rh
57	74780412	Bolt Hex 1/4-20 x 3/4
64	154798	Dash Lower STLT
142	175702	Plate Reinforcement STLT
145	156524	Rod Pivot Chassis/Hood
206	170165	Bolt Shoulder 5/16-18
207	17670508	Screw Thdrol 5/16-18 x 1/2
208	17670608	Screw Thdrol 3/8-16 x 1/2
209	17000612	Screw Hex Wsh Thdr. 3/8-16 x 3/4
212	156229	Insert Lens Reflect P/L LT
- -	5479J	Plug Btn Blk .359

NOTE: All component dimensions given in U.S. inches
1 inch = 25.4 mm

REPAIR PARTS

TRACTOR - - MODEL NUMBER PC1742STB

DRIVE



drive-fender.stlt_24

REPAIR PARTS

TRACTOR - - MODEL NUMBER PC1742STB

DRIVE

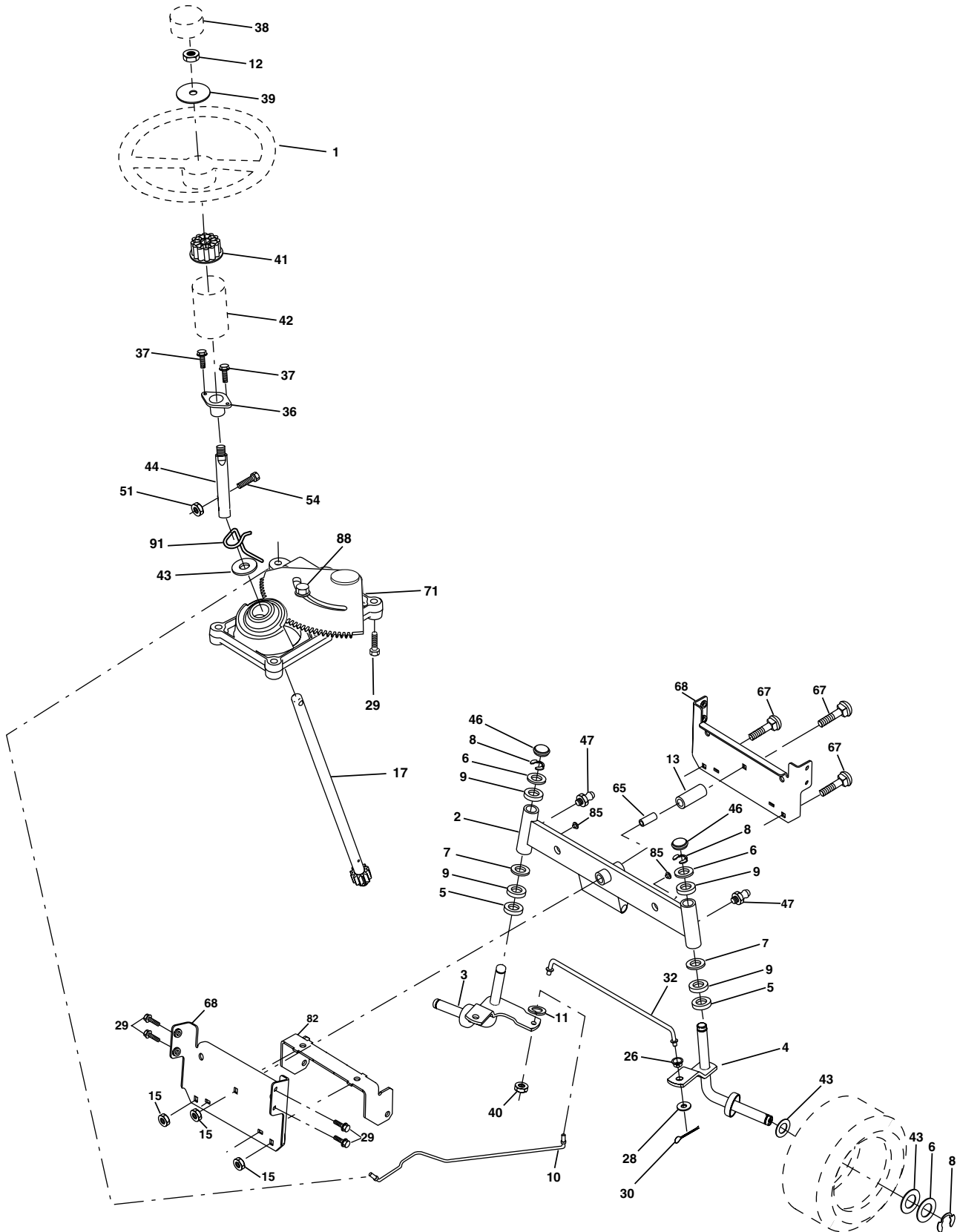
KEY NO.	PART NO.	DESCRIPTION	KEY NO.	PART NO.	DESCRIPTION
1	-----	Transaxle Dana D4360-140 (Order parts from transaxle manufacturer)	64	173937	Bolt 7/16-20 x 4 x Gr.5
2	146682	Spring Return Brake T/a Zinc	65	10040700	Washer Lock Hvy Hlcl Spr 7/16
3	123666X	Pulley Transaxle 18" tires	66	154778	Keeper Belt Engine Foolproof
4	12000028	Ring Retainer # 5100-62	69	142432	Screw Hex wsh Hi-Lo 1/4 x 1/2 Unc
5	121520X	Strap Torque 30 Degrees	70	134683	Guide Belt Mower Drive RH
6	17060512	Screw 5/16-18 x 3/4	74	109502X	Spacer Axle
8	165619	Rod Shift Fender Adjust Lt	75	121749X	Washer 25/32 x 1 1/4 x 16 Ga
10	76020416	Pin Cotter 1/8 x 1 Cad	76	12000001	E-ring #5133-75
11	105701X	Washer Plate Shf 388 Sq Hole	77	123583X	Key Square 2 0 x 1845/ 1865
13	74550412	Bolt 1/4-28 Unf Gr 8 W/Patch	78	121748X	Washer 25/32 x 1-5/8 x 16 Ga
14	10040400	Washer Lock Hvy Helical	79	2228M	Key Woodruff #9 3/16 x 3/4
15	74490544	Bolt Hex FLGHD 5/16-18 Gr. 5	80	131486	Arm Shift
16	73800500	Nut Lock Hex w/ins 5/16-18	81	165594	Shaft Asm Cross Tapered PMST/ 20
18	74780616	Bolt, Fin Hex 3/8-16 Unc x 1 Gr. 5	82	123782X	Spring Torsion T/a
19	73800600	Nut Lock 3/8-16 Unc	83	19171216	Washer 17/32 x 3/4 x 16 Ga
21	106933X	Knob	84	166229	Link Transaxle
22	130804	Rod Brake Blk Zinc 26 840	85	150360	Nut Lock Center 1/4 - 28 FNTHD
24	73350600	Nut Hex Jam 3/8-16 Unc	89	169372X428	Console Shift STLT
25	106888X	Spring Rod Brake 2 00 Zinc	96	4497H	Retainer Spring 1"
26	19131316	Washer 13/32 x 13/16 x 16 Ga	112	19091210	Washer 9/32 x 3/4 x 10 Ga.
27	76020412	Pin Cotter 1/8 x 3/4 Cad	113	127285X	Strap Torque LT
28	175765	Rod Brake Parking LT/YT	116	72140608	Bolt Rdhd Sq Neck 3/8-16 x 1
29	71673	Cap Brake Parking	120	73900600	Nut Lock Flg. 3/8-16 Unc
30	174973	Bracket Mtg Transaxle	150	175456	Spacer Retainer
32	74760512	Bolt Hex Hd 5/16-18unc x 3/4	151	19133210	Washer 13/32 x 2 x 10
34	175578	Shaft Asm Pedal Foot	156	166002	Washer Srrted 5/16ID x 1.125
35	120183X	Bearing Nylon Blk 629 Id	158	165589	Bracket Shift Mount
36	19211616	Washer 21/32 x 1 x 16 Ga	159	183900	Hub Tapered Flange Shift Lt
37	1572H	Pin Roll 3/16 x 1"	161	72140406	Bolt Rdhd Sqnk 1/4-20 x 3/4 Gr
38	179114	Pulley Composite Flat	162	73680400	Nut Crownlock 1/4-20 Unc
39	74760648	Bolt Fin Hex 3/8-16 unc x 3	163	74780416	Bolt Hex Fin 1/4-20 Unc x 1 Gr 5
41	175556	Keeper Belt Flat Idler	164	19091010	Washer 5/8 x .281 x 10 Ga
47	127783	Pulley Idler V Groove Plastic	165	165623	Bracket Pivot Lever
48	154407	Bellcrank Asm	166	166880	Screw 5/16-18 x 5/8
49	123205X	Retainer Belt Style Spring	168	165492	Bolt Shoulder 5/16-18 x .561
50	72110612	Bolt Carr. Sh. 3/8-16 x 1-1/2 Gr. 5	169	165580	Plate Fastening
51	73680600	Nut Crownlock 3/8-16 Unc	170	178394	Keeper Belt Transaxle Gear
52	73680500	Nut Crownlock 5/16-18 Unc	197	169613	Nyliner Snap-In
53	105710X	Link Clutch	198	169593	Washer Nyliner
55	105709X	Spring Return Clutch 6 75	202	72110614	Bolt RdHd 3/8-16 unc x 1-3/4 Gr.5
56	17060620	Screw 3/8-16 x 1-1/4	212	145212	Nut Hexflange Lock
57	160855	V-Belt Ground Drive			
59	169691	Keeper Belt Span Ctr			
61	17120614	Screw 3/8-16 x .875			
62	8883R	Cover Pedal Blk Round			
63	175410	Engine Pulley			

NOTE: All component dimensions given in U.S. inches
1 inch = 25.4 mm

REPAIR PARTS

TRACTOR - - MODEL NUMBER PC1742STB

STEERING ASSEMBLY



REPAIR PARTS

TRACTOR - - MODEL NUMBER PC1742STB

STEERING ASSEMBLY

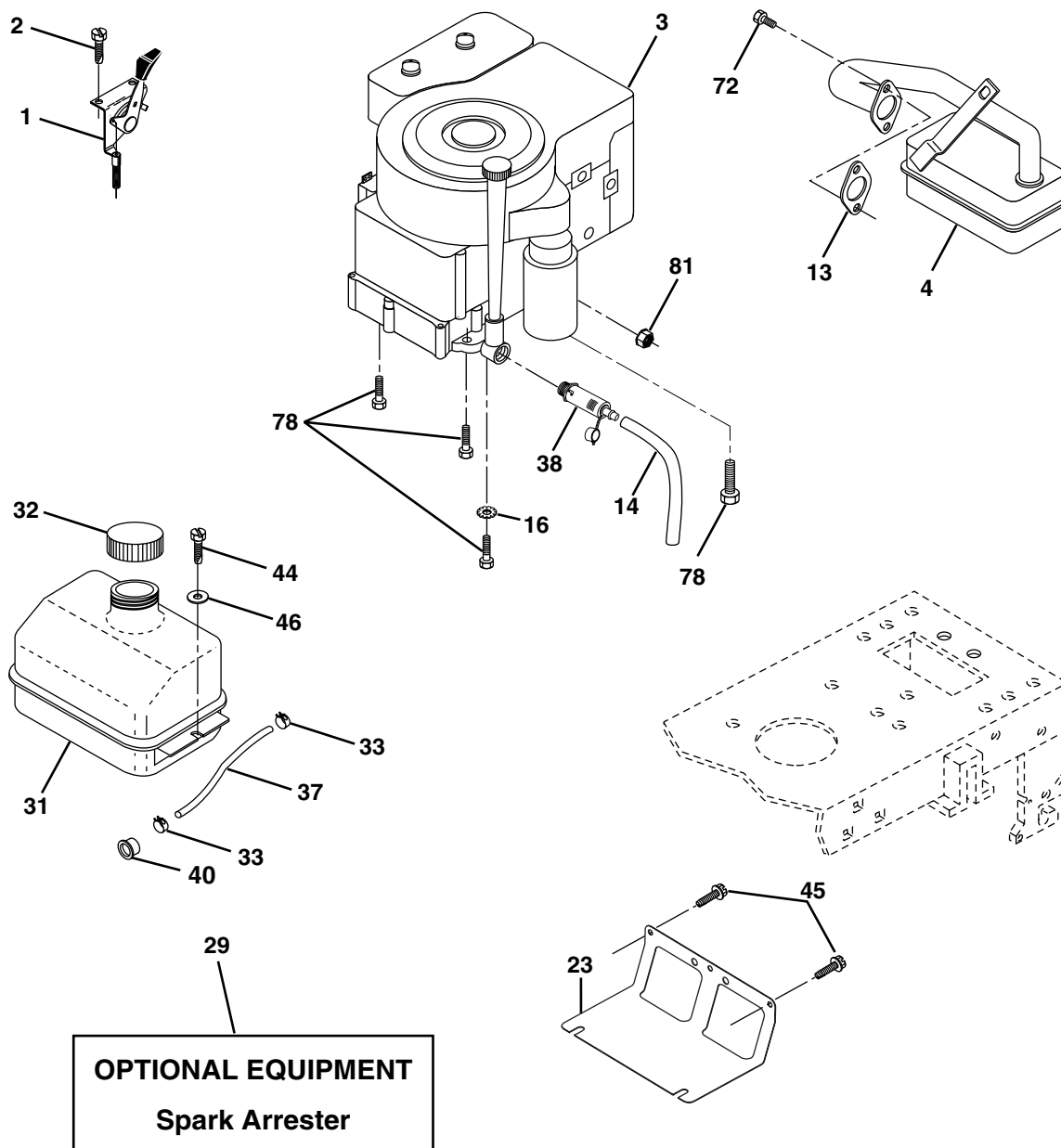
KEY NO.	PART NO.	DESCRIPTION
1	140044X428	Wheel Steering Auto Black
2	175131	Axle Asm Front
3	169840	Spindle Asm Lh
4	169839	Spindle Asm Rh
5	6266H	Bearing Race Thrust Harden
6	121748X	Washer 25/32 x 1 5/8 x 16ga
7	19272016	Washer 27/32 x 1 1/4 x 16 Ga
8	12000029	Ring Klip #t5304-75
9	3366R	Bearing Col Strg Blk
10	175121	Link Drag Extended
11	10040600	Lockwasher
12	73940800	Nut Hex Jam Toplock 1/2-20 Unf
13	136518	Spacer Bearing Axle Front
15	145212	Hex Flange Lock
17	180641	Shaft Asm Strg
26	126847X	Bushing Rod Tie Blk Lt
28	19131416	Washer 13/32 x 7/8 x 16ga
29	17060612	Screw 3/8-16 x 3/4
30	76020412	Pin
32	130465	Rod Tie Wire Form 19 75 Mech
36	155099	Bushing Strg 5/8 Id Dash
37	152927	Screw TT #10-32 x 5 x 3/8 Flange
38	140045X428	Insert Cap Strg
39	19183812	Washer 9/16 ID x 2-3/8 OD 12 Gr
40	7810H	Locknut Center
41	100711L	Adaptor Wheel Strg 640/ 635id
42	145054X428	Boot Dash Steering
43	121749X	Washer 25/32 x 1 1/4 x 16 Ga
44	180640	Extension Steering
46	121232X	Cap Spindle Fr Top Blk
47	183226	Fitting Grease
51	73540400	Nut Crownlock 1/4-28
54	71130420	Bolt Hex 1/4-28 Unf x 1-1/4 Gr. 8
65	160367	Spacer Brace Axle
67	72140618	Bolt Rdhd Sq 3/8-16 Unc x 2-3/4
68	169827	Brace Axle
71	175146	Steering Asm
82	169835	Bracket Susp Chassis Front
85	133835	Fastener Christmas Tree
88	175118	Bolt Shoulder 7/16-20
91	175553	Clip Steering

NOTE: All component dimensions given in U.S. inches
1 inch = 25.4 mm

REPAIR PARTS

TRACTOR - - MODEL NUMBER PC1742STB

ENGINE



OPTIONAL EQUIPMENT
Spark Arrester

KEY NO.	PART NO.	DESCRIPTION
1	170551	Control Throt /Ch Flag
2	17720408	Screw Hex Thd Cut 1/4-20 x 1/2
3	-----	Engine Briggs Model 31G777 (Order Parts From Engine Manufacturer)
4	137352	Muffler Exhaust B&S Lt
13	165291	Gasket 1 313 Id Tin Plated
14	148456	Tube Drain Oil Easy
16	11050600	Washer Lock Ext Tooth 3/8
23	169837	Shield Browning/Debris Guard
29	137180	Arrestor Spark
31	184900	Tank Fuel 1 25 Fr
32	140527	Cap Asm Fuel W/sym Vented

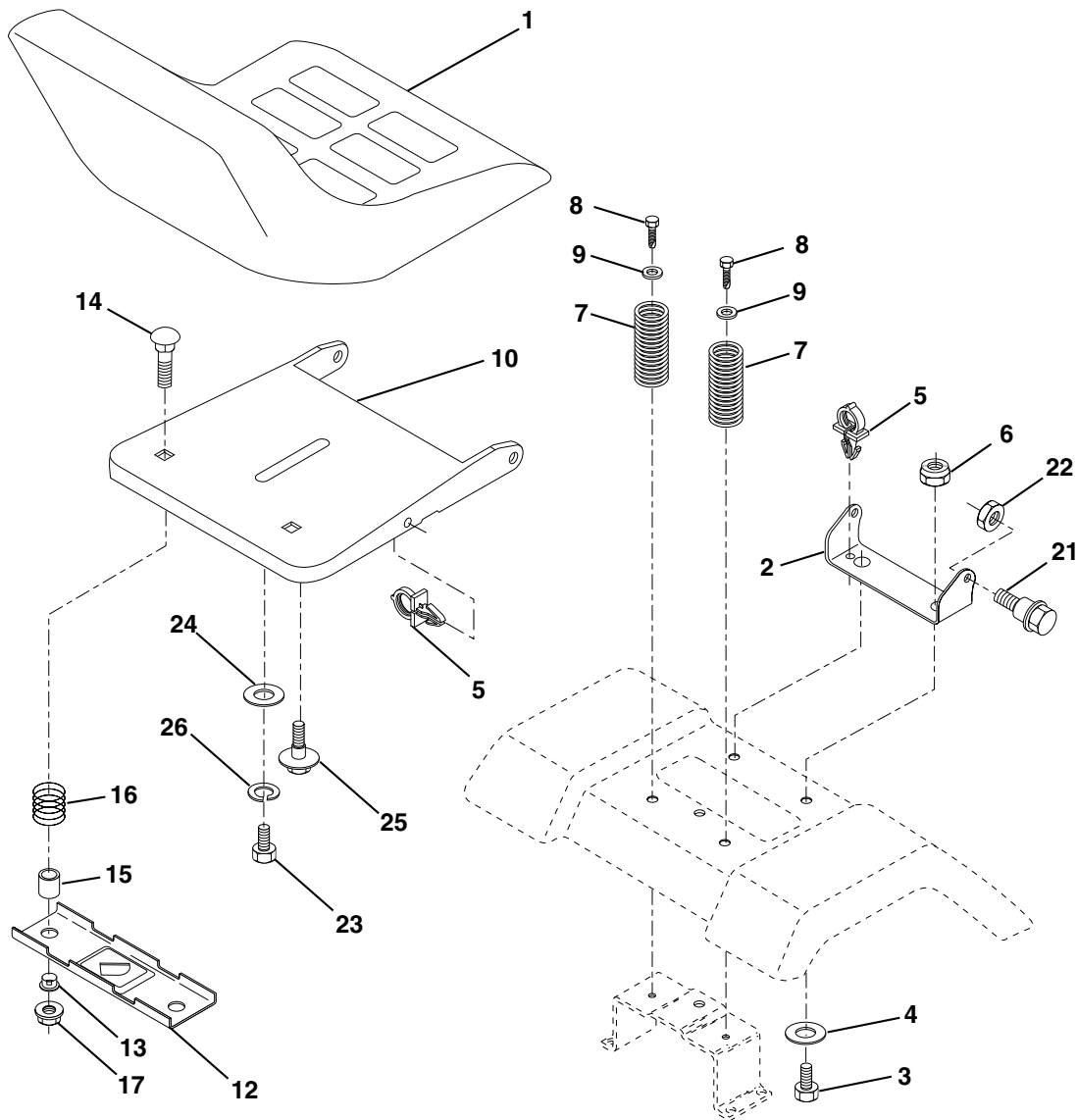
KEY NO.	PART NO.	DESCRIPTION
33	123487X	Clamp Hose Blk
37	137040	Line Fuel 20"
38	181654	Plug Drain Oil Easy
40	124028X	Bushing Snap Nyl Blk Fuel Line
44	17670412	Screw Hexwsh Thdrol 1/4-20 x 3/4
45	17000612	Screw Hex Wsh Thdrol 3/8-16
46	19091416	Washer 9/32 x 7/8 x 16 ga
72	183906	Screw Socket Head 5/16-18 x 1
78	17060620	Screw Thdrol 3/8-16 x 1-1/4
81	73510400	Nut Keps Hex 1/4-20 Unc

NOTE: All component dimensions given in U.S. inches
1 inch = 25.4 mm

REPAIR PARTS

TRACTOR - - MODEL NUMBER PC1742STB

SEAT ASSEMBLY



KEY NO.	PART NO.	DESCRIPTION
1	140116	Seat
2	140551	Bracket Pnt Pivot Seat (blk)
3	71110616	Bolt
4	19131610	Washer 13/32 x 1 x 10 Ga
5	145006	Clip Push-In Hinged
6	73800600	Nut
7	124181X	Spring Seat Cprsn 2 250 Blk Zi
8	17000616	Screw 3/8-16 x 1.5
9	19131614	Washer 13/32 x 1 x 14 Ga
10	182493	Pan Pnt Seat (blk)
12	121246X	Bracket Pnt Mounting Switch
13	121248X	Bushing Snap Blk Nyl 50 Id

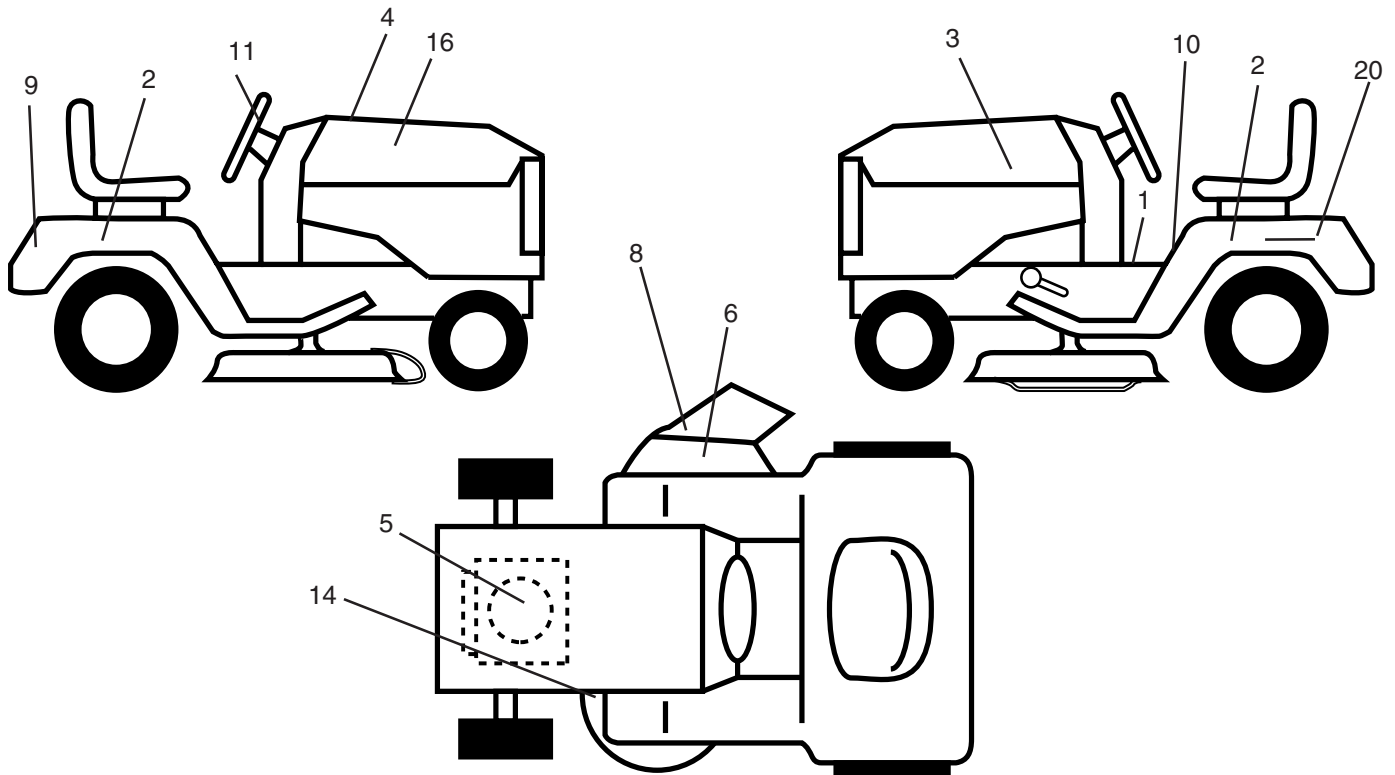
KEY NO.	PART NO.	DESCRIPTION
14	72050412	Bolt Rdhd Sht Nk 1/4-20 x 1-1/2
15	134300	Spacer Split 28 x 96 Yel Zinc
16	121250X	Spring Cprsn 1 27 Blk Pnt
17	123976X	Nut Lock 1/4 Lge Flg Gr 5 Zinc
21	171852	Bolt Shoulder 5/16-18 Unc Blkz-2A
22	73800500	Nut
23	71110814	Bolt Hex Black
24	19171912	Washer 17/32 x 1-3/16 x 12 Ga
25	127018X	Bolt Shoulder 5/16-18 x 62
26	10040800	Lockwasher

NOTE: All component dimensions given in U.S. inches
1 inch = 25.4 mm

REPAIR PARTS

TRACTOR - - MODEL NUMBER PC1742STB

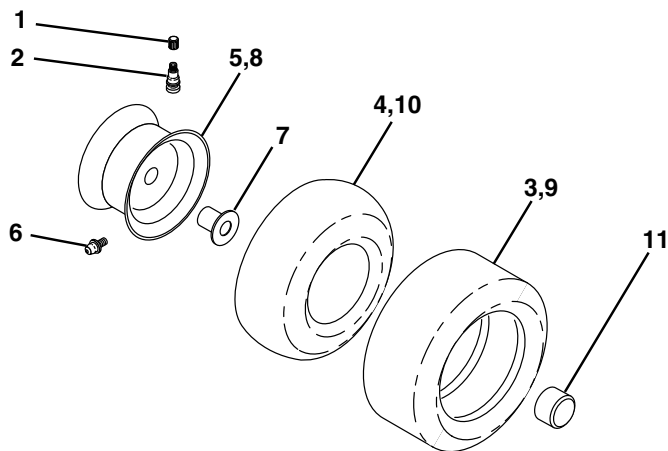
DECALS



KEY NO.	PART NO.	DESCRIPTION
1	156369	Decal Oper
2	173493	Decal Fender Side
3	184870	Decal Hood LH
4	187589	Decal Hood RH
5	180703	Decal HP Engine
6	179128	Decal Deck "B" 42"
8	170563	Decal Warning Multi-Language
9	158166	Decal Fender Logo

KEY NO.	PART NO.	DESCRIPTION
10	157140	Decal Fender Danger E/F
11	158168	Decal Ins Strg Whl
14	160396	Decal V-Belt Schematic
16	184869	Decal Replace
20	145005	Decal Bat Dan/Psn
--	138311	Decal Handle Lft Height Adjust
--	187594	Manual Owner's (English)
--	187595	Manual Owner's (French)

WHEELS & TIRES



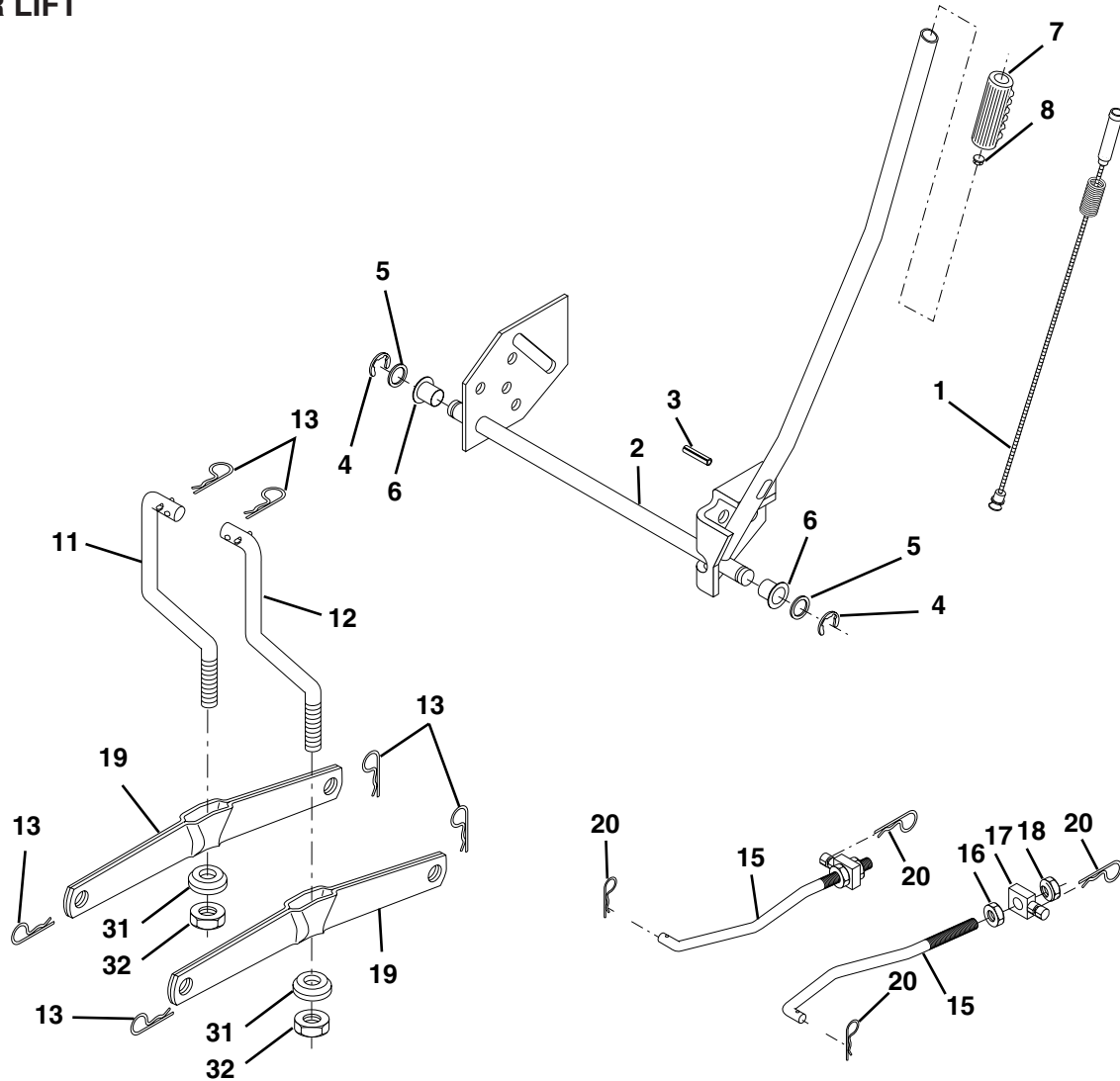
KEY NO.	PART NO.	DESCRIPTION
1	59192	Cap Valve Tire
2	65139	Stem Valve
3	106222X	Tire F Ts 15 x 6 0 - 6 Service
4	59904	Tube Front (Service Item Only)
5	106732X624	Rim Asm 6"front Service
6	278H	Fitting Grease (Front Wheel Only)
7	9040H	Bearing Flange (Front Wheel Only)
8	106108X624	Rim Asm 8"rear Service
9	106268X	Tire R Ts 18 x 9.5-8 Service
10	7152J	Tube Rear (Service Item Only)
11	104757X428	Cap Axle 1 50 x 1 00
--	144334	Sealant, Tire (10 oz. Tube)

NOTE: All component dimensions given in U.S. inches
1 inch = 25.4 mm

REPAIR PARTS

TRACTOR -- MODEL NUMBER PC1742STB

MOWER LIFT



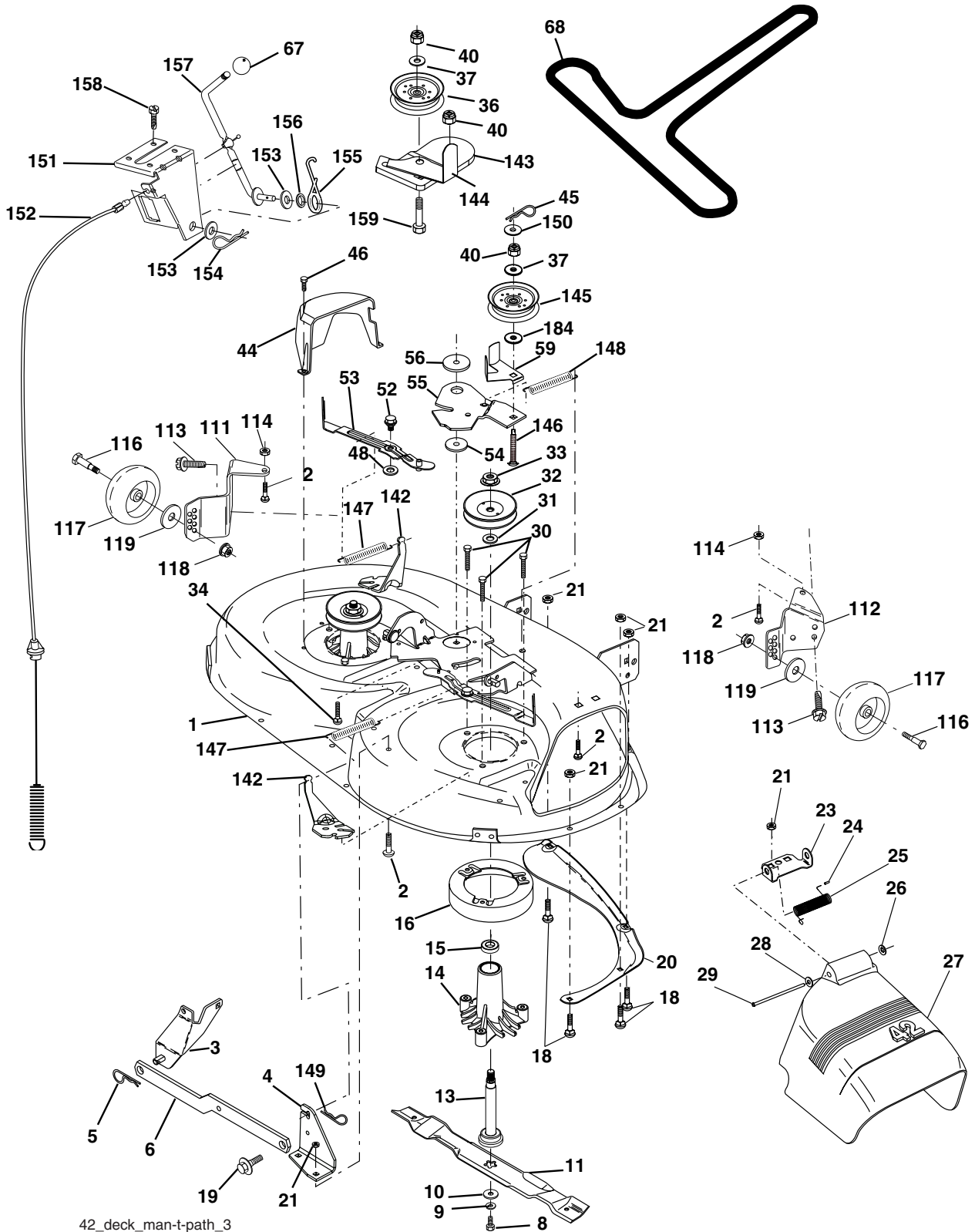
KEY NO.	PART NO.	DESCRIPTION
1	159460	Wire Asm Inner/Sprg w/Plunger
2	159471	Shaft Asm Lift
3	105767X	Pin Groove
4	12000002	E Ring #5133-62
5	19211621	Washer 21/32 x 1 x 21 Ga.
6	120183X	Bearing Nylon
7	109413X	Grip Handle
8	124526X	Button Plunger
11	139865	Link Lift Lh
12	139866	Link Lift Rh
13	4939M	Retainer Spring
15	173288	Link Front
16	73350800	Nut Jam Hex 1/2-13 Unc
17	175689	Trunnion Blk Zinc
18	73800800	Nut Lock w/Wsh 1/2-13 Unc
19	139868	Arm Suspension Rear
20	163552	Retainer Spring
31	169865	Bearing Pvt Lift
32	73540600	Nut Crownlock 3/8-24

NOTE: All component dimensions given in U.S. inches
1 inch = 25.4 mm

REPAIR PARTS

TRACTOR -- MODEL NUMBER PC1742STB

MOWER DECK



42_deck_man-t-path_3

REPAIR PARTS

TRACTOR - - MODEL NUMBER PC1742STB

MOWER DECK

KEY NO.	PART NO.	DESCRIPTION	KEY NO.	PART NO.	DESCRIPTION
1	165892	Mower Deck Assembly, 42"	52	139888	Bolt, Shoulder 5/16-18 Unc
2	72140506	Bolt	53	184907	Arm Assembly, Brake
3	138017	Bracket Asm Fr. Sway Bar 3/42	54	178515	Washer, Hardened
4	165460	Bracket Asm Deck 42" Sway Bar	55	155046	Arm, Idler
5	4939M	Retainer Spring	56	165723	Spacer, Retainer
6	178024	Bar Sway Deck	59	141043	Guard TUV Idler
8	850857	Bolt 3/8-24 x 25 Grade 8 patched	67	106932X	Knob
9	10030600	Washer, Lock	68	144959	V-Belt, 42" Mower
10	140296	Washer, Hardened (The following blades are available)	111	179292	Bracket Wheel Gauge LH
11	134149	Blade, 42" Mulching Std (For mulching mowers only)	112	179293	Bracket Wheel Gauge RH
--	139775	Blade, 42" Mulching Premium (For better wear when mulching)	113	17060510	Screw 3/8-16 x .625
--	138971	Blade, 42" Hi-Lift (For bagging or discharging)	114	73510500	Nut keps 5/16-18 Unc
13	137645	Shaft Assembly, Mandrel, Vented	116	4898H	Bolt Shld "A" 2.41 "B" 1.66
14	128774	Housing, Mandrel, Vented	117	165746	Wheel Gauge Std
15	110485X	Bearing, Ball, Mandrel	118	73930600	Nut Centerlock 3/8-16 Unc
16	174493	Stripper, Mandrel Deck	119	19121414	Washer 3/8 x 7/8 x 14
18	72140505	Bolt, Carriage 5/16-18 x 5/8	142	165890	Arm Spring Brake Mower
19	132827	Bolt, Shoulder	143	157109	Bracket Arm Idler 42"
20	159770	Baffle, Vortex	144	158634	Keeper Belt 42" Clutch Cable
21	73680500	Nut	145	165888	Pulley Idler Flat
23	177563	Bracket, Deflector Mower 42"	146	171977	Bolt Carriage Idler
24	105304X	Cap, Sleeve 80 x 112 Blk Mower	147	131335	Spring Extension
25	123713X	Spring, Torsion, Deflector 2 52	148	169022	Spring Return Idler
26	110452X	Nut, Push Phos & Oil	149	165898	Retainer Spring Yellow
27	130968X428	Shield, Deflector 42" Blk	150	19091216	Washer 9/32 x 3/4 x 16 Ga.
28	19111016	Washer 11/32 x 5/8 x 16 Gauge	151	169670	Bracket Clutch Cable
29	131491	Rod, Hinge 42" 6 75 W/G	152	169676	Clutch Cable 42"
30	173984	Screw Thdrol Washer Head	153	169674	Washer Flat 3/8" Type B
31	129963	Washer, Spacer Mower Vented	154	169675	Spring Retainer
32	173436	Pulley, Mandrel	155	169671	Spring Retention LVR CLTCH CAB
33	178342	Nut, Toplock 9/16 Flange	156	169672	Spacer Clutch Cable
34	72110614	Bolt	157	169669	Rod Clutch Cable 3/8"
36	131494	Pulley, Idler, Flat	158	17720408	Screw Hex Thd Cut 1/4-20 x 1/2
37	19131316	Washer 13/32 x 13/16 x 16 Ga.	159	72140614	Bolt Rdhd Sqn 3/8-16 Unc x 1-3/4
40	73680600	Nut	184	19131410	Washer 13/32 x 7/8 x 10 Ga.
44	140088	Guard, Mandrel, LH	--	130794	Mandrel Assembly (Includes Housing, Shaft and Shaft Hardware Only-Pulley Not Included)
45	4497H	Retainer	--	171491	Replacement Mower, Complete
46	137729	Screw, Thdrol 1/4-20 x 5/8 T			
48	133944	Washer, Hardened			

NOTE: All component dimensions given in U.S. inches
1 inch = 25.4 mm