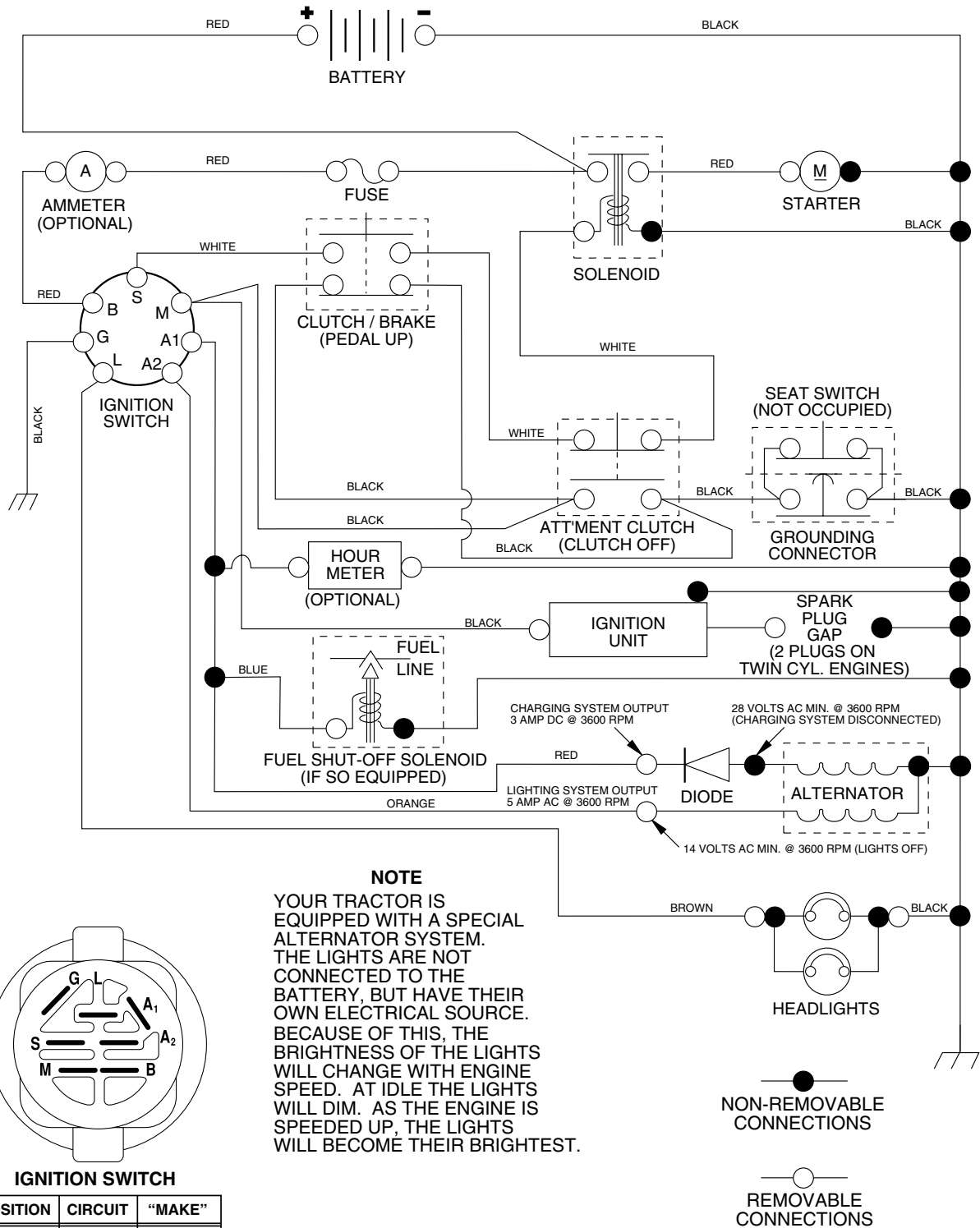


TRACTOR - - MODEL NUMBER PO14542C

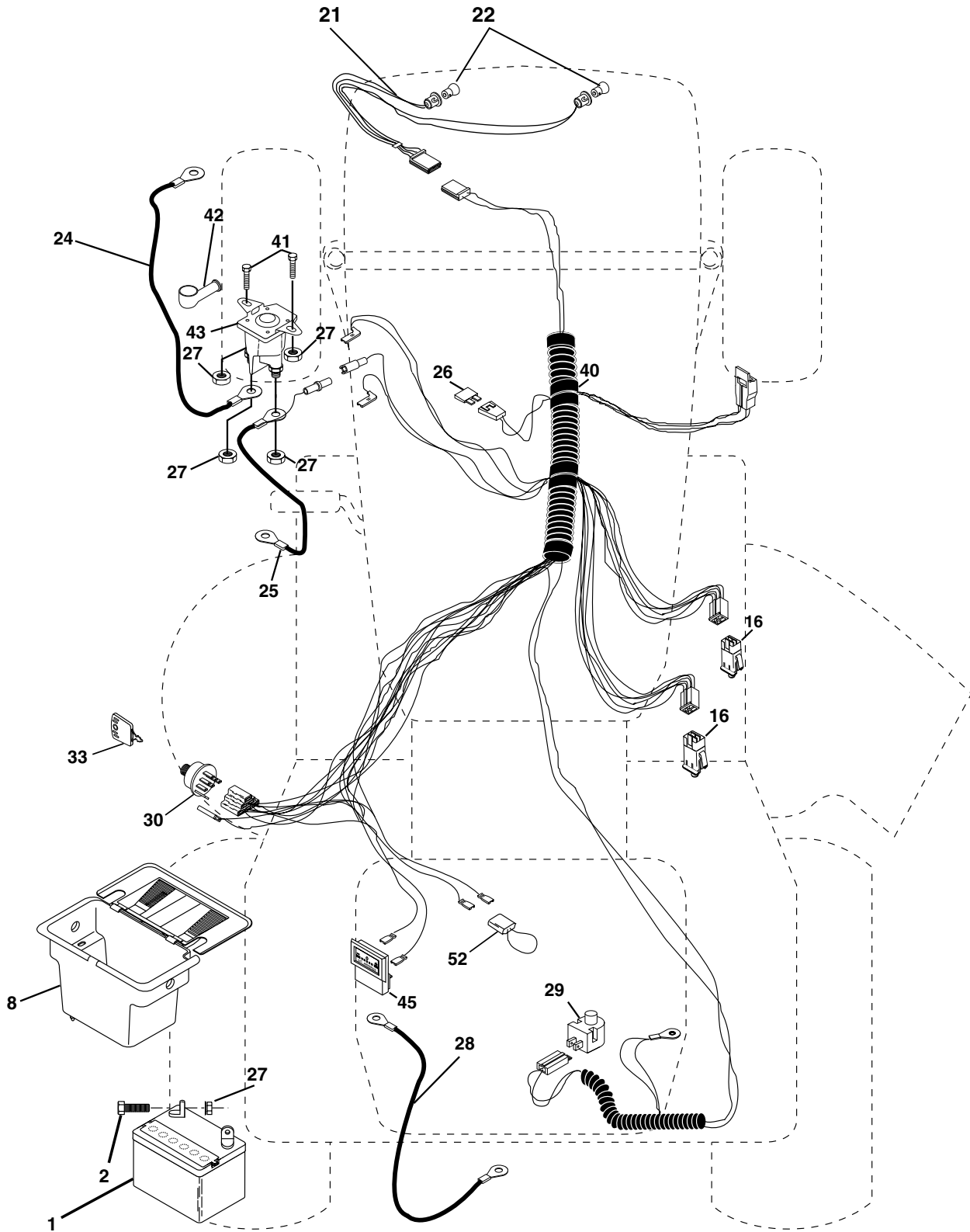
SCHEMATIC



REPAIR PARTS

TRACTOR - - MODEL NUMBER PO14542C

ELECTRICAL



REPAIR PARTS

TRACTOR - - MODEL NUMBER PO14542C

ELECTRICAL

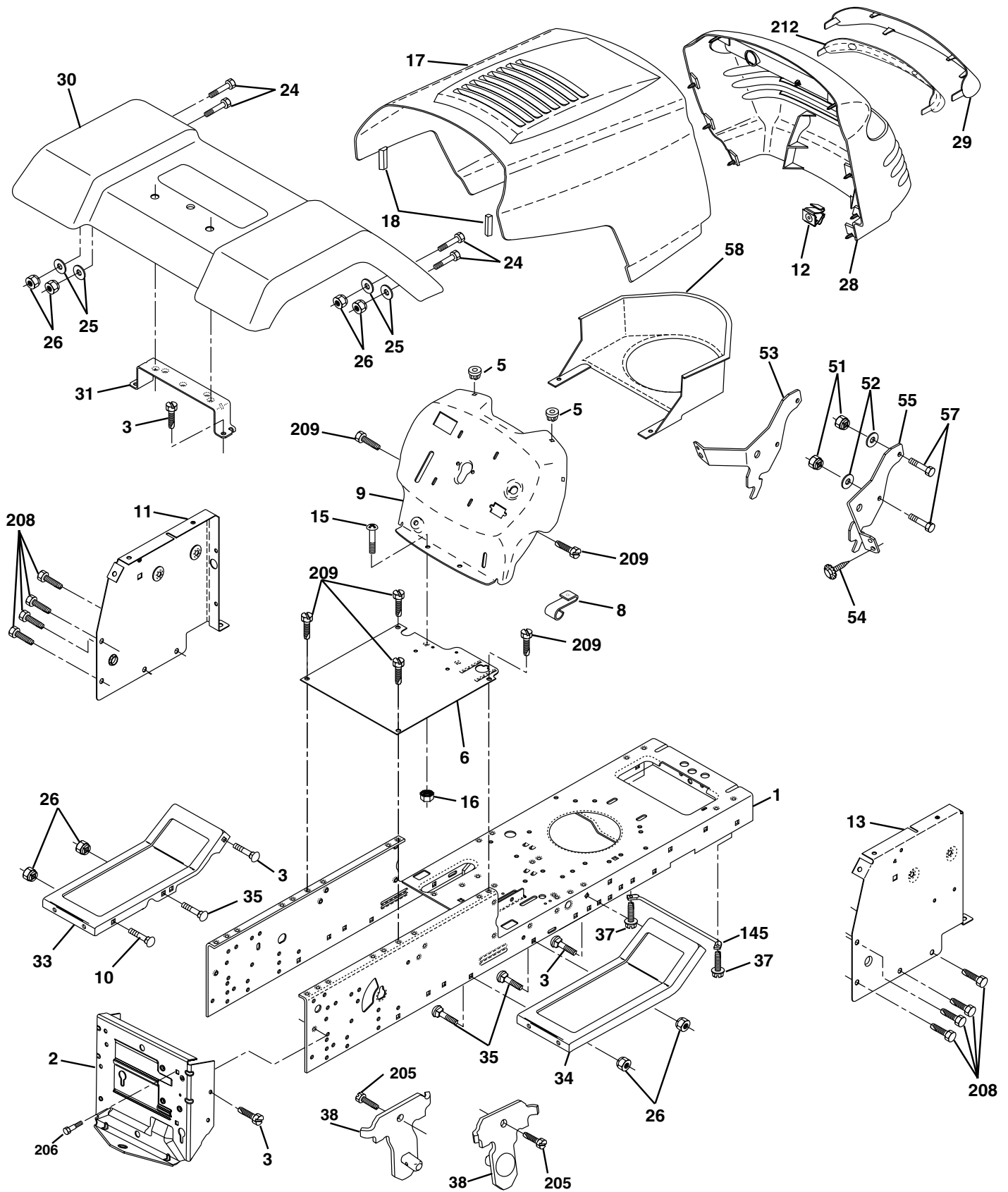
KEY NO.	PART NO.	DESCRIPTION
1	144925	Battery 12 Volt 25 Amp
2	74760412	Bolt Hex Hd 1/4-20unc X 3/4
8	156417	Case Battery
16	153664	Switch Interlock Push -In
21	166181	Harness Asm Light W/4152J
22	4152J	Bulb Light #1156
24	4799J	Cable Battery 6 Ga 11"red
25	146147	Cable Battery 6 Ga w/16 wire,red
26	175158	Fuse 20 AMP
27	73510400	Nut Keps Hex 1/4-20 unc
28	4207J	Cable Ground 6 Ga 12" black
29	121305X	Switch Plunger Nc Gray
30	175566	Switch Ign
33	140401	Key Ign
40	178437	Harness Ign
41	71110408	Bolt Blk Fin Hex 1/4-20 X 1/2
42	131563	Cover Terminal Red
43	178861	Solenoid
45	121433X	Ammeter
52	141940	Protection Wire Loop

NOTE: All component dimensions give in U.S. inches
1 inch = 25.4 mm.

REPAIR PARTS

TRACTOR - - MODEL NUMBER PO14542C

CHASSIS AND ENCLOSURES



REPAIR PARTS

TRACTOR - - MODEL NUMBER PO14542C

CHASSIS AND ENCLOSURES

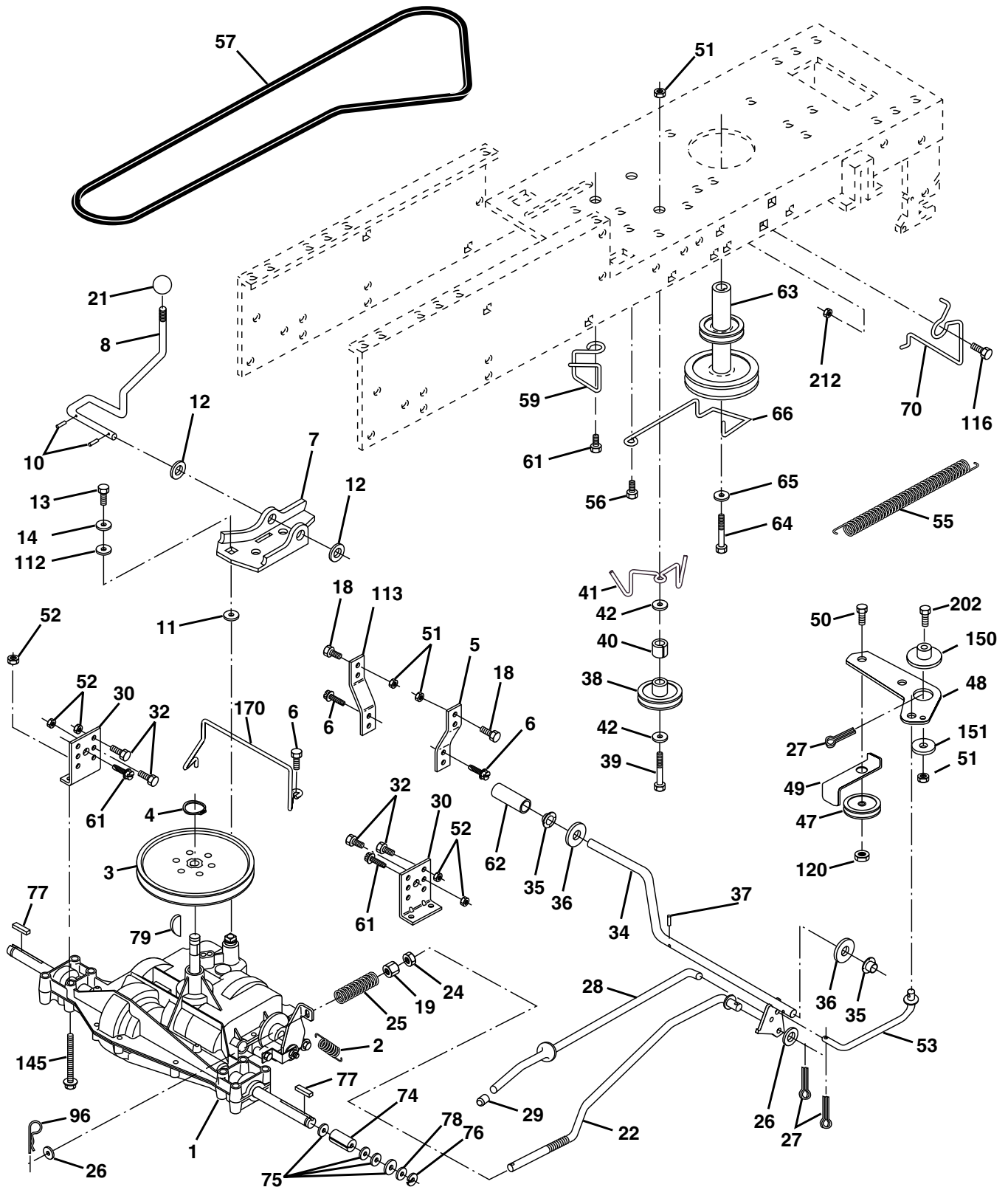
KEY NO.	PART NO.	DESCRIPTION
1	174620	Chassis
2	176554	Drawbar
3	17060612	Screw 3/8-16 x 3/4
5	155272	BumperHood/Dash
6	174643X011	Saddle Slkscr Flat Lt 6 Sp
8	155138	Clip Retainer Slide-On
9	168348X012	Dash
10	72140608	Bolt RdHd Sqnk. 3/8-16 Unc x 1
11	155927	Panel Asm. Dash Lh
12	145660	Clip Tinnerman Grile P/L
13	172107X010	Panel Dash Rh
15	74180512	Screw Mach Trhd 5/16-18 Unc x 3/4
16	73510500	Nut Keps 5/16-18 Unc
17	159639X428	Hood
18	126938X	BumperHood
24	74780616	Bolt Fin Hex 3/8-16 Unc x 1 Gr. 5
25	19131312	Washer 13/32 x 13/16 x 12 Ga.
26	73800600	Nut Lock Hex w/Insert 3/8-16 UNC
28	140434	Grill/Lens Asm
29	140273X599	Lens Grille Private label
30	169465X428	Fender Asm
31	136619	Bracket Fender
33	145244X428	Footrest
34	145243X428	Footrest
35	72110606	Bolt RdHd Sht. Sqnk. 3/8-16 x 3/4
37	17490508	Screw Thdrol 5/16-18 x 1/2 Tyt
38	175710	Bracket Asm. Pivot Mower Rear
51	73800400	Nut Lock Hex W/Ins. 1/4-20
52	19091416	Washer 9/32 x 7/8 x 16 Ga.
53	144697	Bracket Grille LH
54	161464	Screw Hex Wshd 8-18 x 7/8
55	144696	Bracket, Grille RH
57	74780412	Bolt Fin Hex 1/4-20 x .75
58	150127	Air Duct Private Label
145	156524	Rod Pivot Chassis/Hood
205	17490608	Screw Thdrol 3/8-16 x 1/2
206	170165	Bolt shoulder 5/16-18
208	17670608	Screw Thdrol 3/8-16 x 1/2
209	17000612	Screw Hex Wsh Thdrol 3/8-16
212	156229	Insert Lens Reflector
--	5479J	Plug Btn Blk

NOTE: All component dimensions given in U.S. inches
1 inch = 25.4 mm

REPAIR PARTS

TRACTOR - - MODEL NUMBER PO14542C

DRIVE



REPAIR PARTS

TRACTOR - - MODEL NUMBER PO14542C

DRIVE

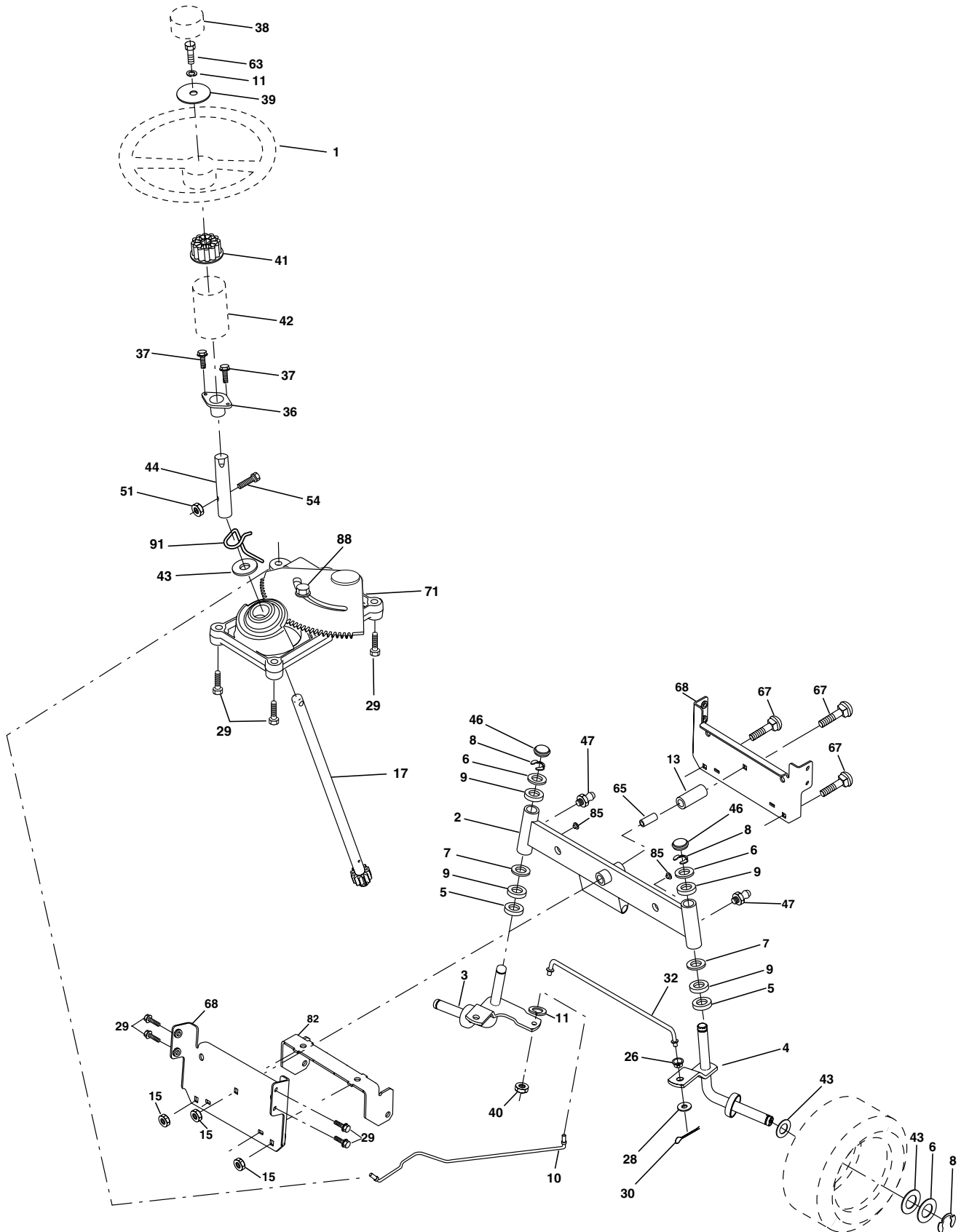
KEY NO.	PART NO.	DESCRIPTION	KEY NO.	PART NO.	DESCRIPTION
1	-----	Transaxle Peerless Model 206-545C (Order Parts From Transaxle Manufacturer)	49	123205X	Retainer Belt Style Spring
2	146682	Spring Extension Brake	50	74760624	Bolt
3	123666X	Pulley Transaxle 18" tires	51	73680600	Nut
4	12000028	Ring Retainer # 5100-62	52	73680500	Nut
5	121520X	Strap Torque Rh Pnt Blk	53	105710X	Link Clutch 7 66
6	17060512	Screw 5/16-18 X 3/4	55	105709X	Spring Return Clutch 6 75
7	162240	Bracket T/A Saddle Shift	56	17060616	Screw 3/8-16 x 1.0
8	131679	Rod Shifter Black(dana)	57	130801	V-belt Ground Drive 95
10	76020416	Pin,Cotter	59	169691	Keeper Belt Chassis Span Ctr.
11	105701X	Washer Plate Shf 388 Sq Hole	61	17060612	Screw 3/8-16x3/4
12	19151216	Washer 15/32 X 3/4 X 16ga	62	8883R	Cover Pedal Blk Round
13	74550412	Bolt 1/4-28 UNF Gr. 8 W/Patch	63	175410	Pulley Engine
14	10040400	Washer	64	71170764	Bolt, Hex 7/16-20 x 4 Grade 5
18	74780616	Bolt Fin Hex 3/8-16 UNC x 1 Gr. 5	65	10040700	Washer, Lock, Hvy Hlcl Spring 7/16
19	73800600	Nut	66	154778	Keeper Belt Engine Flproof
21	106933X	Knob Rd 1/2-13 Plstc Thds Blk	70	134683	Guide Belt Dr Mower Rh
22	130804	Rod Brake Lt	72	19132012	Washer 13/32 X 1-1/4 X 12 Ga
24	73350600	Nut	74	137057	Spacer Axle
25	106888X	Spring Rod Brake 2 00 Zinc	75	121749X	Washer 25/32 X 1 1/4 X 16 Ga
26	19131316	Washer	76	12000001	E Ring
27	76020412	Pin	77	123583X	Key Square 2 0 X 1845/ 1865
28	175765	Rod Brake Parking	78	121748X	Washer 25/32 X 1 5/8 X 16ga
29	71673	Cap Parking Brake	79	2228M	Key Woodruff
30	174973	Bracket Transmission	96	4497H	Retainer Spring 1"
32	74760512	Bolt	112	19091210	Washer 9/32 X 3/4 X 10 Ga
34	175578	Shaft Asm Pedal Foot	113	127285X	Strap Torque Lh
35	120183X	Bearing Nylon Blk 629 Id	116	72140608	Bolt, Rdhd Sqnk 3/8-16 x 1.00
36	19211616	Washer	120	73900600	Nut Lock Flg 3/8-16
37	1572H	Roll Pin	145	74490540	Bolt Hex Flghd 5/16-18 x Gr. 5
38	165936	Pulley Idler Flat	150	175456	Spacer Retainer
39	74760648	Bolt Fin Hex 3/8-16 Unc x 3	151	19133210	Washer 13/32 x 2 x 10 Ga.
40	175461	Spacer Split	170	173898	Keeper Belt
41	175556	Keeper Belt Idler	202	72110614	Bolt Carr. Sh. 3/8-16 x 1-3/4 Gr. 5
42	19131312	Washer 13/32 X 13/16 X 12 Ga	204	17060516	Screw 5/16-18 x 1
47	127783	Pulley Idler V Groove Plastic	212	145212	Nut Hex Flange Lock
48	154407	Bellcrank Clutch			

NOTE: All component dimensions given in U.S. inches
1 inch = 25.4 mm

REPAIR PARTS

TRACTOR - - MODEL NUMBER PO14542C

STEERING ASSEMBLY



REPAIR PARTS

TRACTOR - - MODEL NUMBER PO14542C

STEERING ASSEMBLY

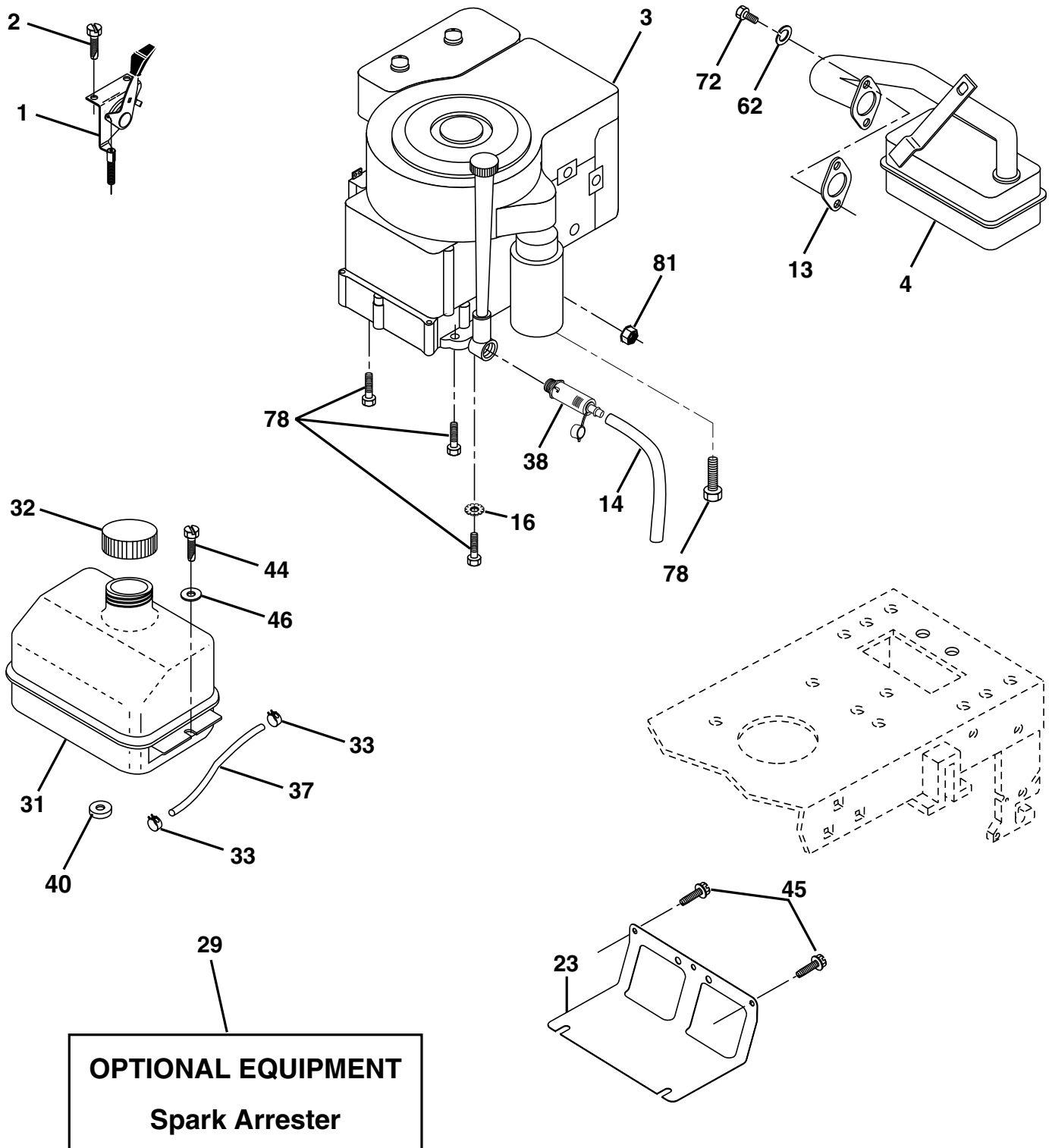
KEY NO.	PART NO.	DESCRIPTION
1	140044X428	Wheel Steering Auto Black
2	154427	Axle Asm Front
3	169840	Spindle Asm Lh
4	169841	Spindle Asm Rh
5	6266H	Bearing Race Thrust Harden
6	121748X	Washer 25/32 X 1 5/8 X 16ga
7	19272016	Washer 27/32 X 1 1/4 X 16 Ga
8	12000029	Ring Klip #t5304-75
9	3366R	Bearing Col Strg Blk
10	175121	Link Drag
11	10040600	Lockwasher
13	136518	Spacer Bearing Axle Front
15	145212	Hex Flange Lock
17	177876	Shaft Asm Strg
26	126847X	Bushing Rod Tie Blk Lt
28	19131416	Washer 13/32 X 7/8 X 16ga
29	17060612	Screw 3/8-16x3/4
30	76020412	Pin
32	130465	Rod Tie Wire Form 19 75 Mech
36	155099	Bushing Strg 5/8 Id Dash
37	152927	Screw TT #10-32 x 5 x 3/8 Flange
38	140045X428	Insert Cap Strg
39	19133812	Washer 13/32 x 2-3/8 x 12Ga
40	7810H	Locknut Center
41	100711L	Adaptor Wheel Strg 640/ 635id
42	145054X428	Boot Dash Steering
43	121749X	Washer 25/32 X 1 1/4 X 16 Ga
44	153720	Extension Steering Non-Adjust
46	121232X	Cap Spindle Fr Top Blk
47	6855M	Fitting Grease
51	73800500	Nut Lock Hex W/Ins.
54	74780520	Bolt Fin Hex 5/16-18 Unc P
63	74780616	Bolt Fin Hex 3/8-16unc x Gr. 5
65	160367	Spacer Brace Axle
67	72140618	Bolt Rdhd Sq 3/8-16 Unc x 2-3/4
68	169827	Brace Axle
71	175146	Steering Asm
82	169835	Bracket Susp Chassis Front
85	133835	Fastener Christmas Tree
88	175118	Bolt Shoulder 7/16-20 Unc
91	175553	Clip Steering

NOTE: All component dimensions given in U.S. inches
1 inch = 25.4 mm

REPAIR PARTS

TRACTOR - - MODEL NUMBER PO14542C

ENGINE



REPAIR PARTS

TRACTOR - - MODEL NUMBER PO14542C

ENGINE

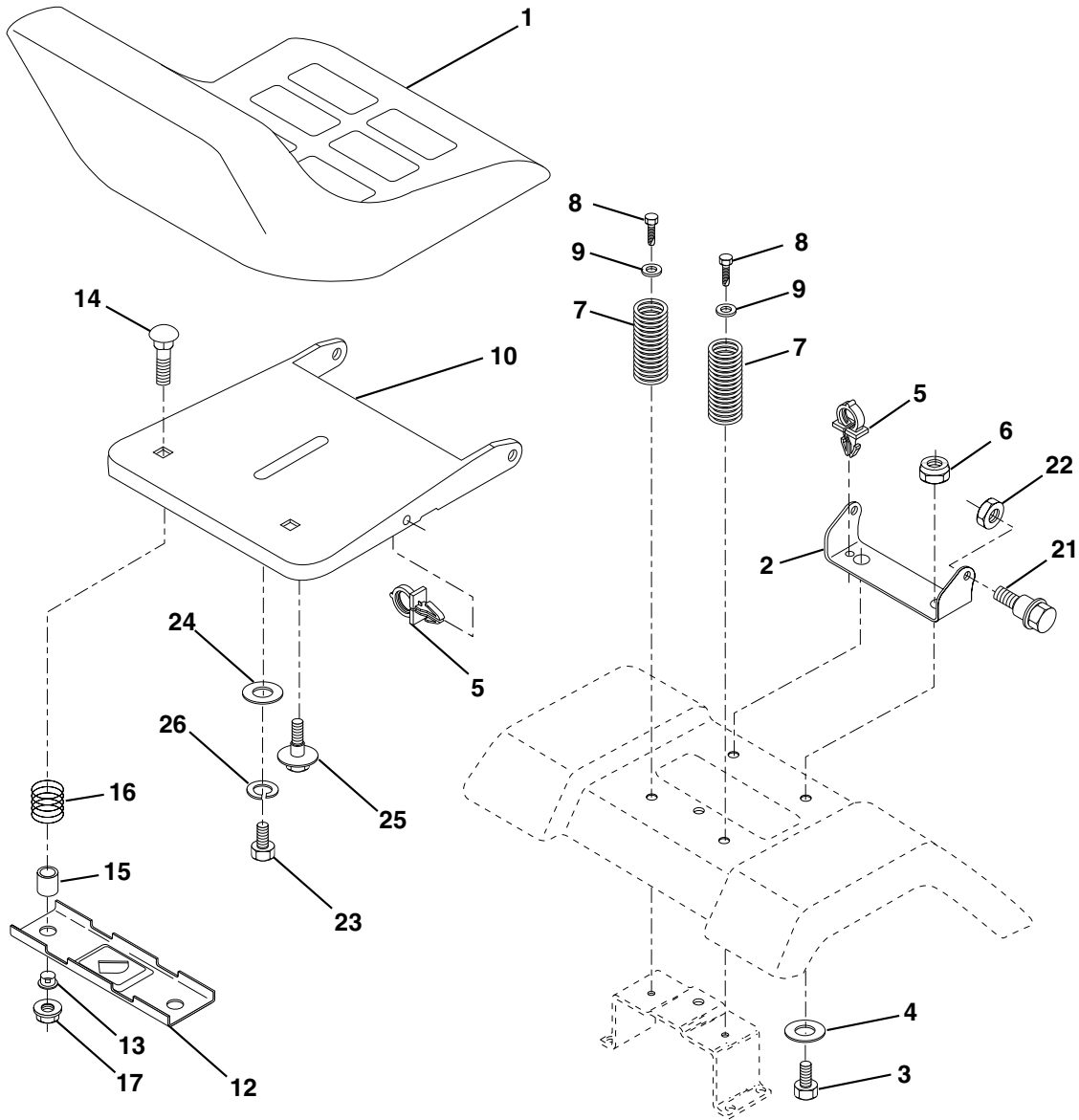
KEY NO.	PART NO.	DESCRIPTION
1	170551	Control Throt/Ch Flag
2	17720410	Screw Hex Thd Cut 1/4-20x5/8 T
3	-----	Engine Briggs Model 28U707 (Order Parts From Engine Manufacturer)
4	137352	Muffler Exhaust B&S Lt
13	165291	Gasket 1 313 Id Tin Plated
14	148356	Tube Drain Oil Easy
16	11050600	Washer Lock Ext Tooth 3/8
23	169837	Shield Browning/Debris Guard
29	137180	Arrestor Spark
31	109202X	Tank Fuel 1 25 Fr
32	140527	Cap Asm Fuel W/sym Vented
33	123487X	Clamp Hose Blk
37	137040	Line Fuel 20"
38	148315	Plug Drain Oil Easy
40	124028X	Bushing Snap Nyl Blk Fuel Line
44	17670412	Screw Hexwsh Thdrol 1/4-20x3/4
45	17000612	Screw Hex Wsh Thdrol 3/8-16
46	19091416	Washer 9/32 X 7/8 X 16ga
62	10040500	Washer Lock Hvy Hlcl Spr 5/16
72	71070512	Screw Hexhd Cap 5/16-18x3/4
78	17060620	Screw 3/8-16x1-1/4
81	73510400	Nut Keps Hex 1/4-20 Unc

NOTE: All component dimensions given in U.S. inches
1 inch = 25.4 mm

REPAIR PARTS

TRACTOR - - MODEL NUMBER PO14542C

SEAT ASSEMBLY



KEY NO.	PART NO.	DESCRIPTION
1	140116	Seat
2	140551	Bracket Pnt Pivot Seat (blk)
3	71110616	Bolt
4	19131610	Washer 13/32 x 1 x 10 Ga
5	145006	Clip Push-In Hinged
6	73800600	Nut
7	124181X	Spring Seat Cprsn 2 250 Blk Zi
8	17000616	Screw 3/8-16 x 1.5
9	19131614	Washer 13/32 x 1 x 14 Ga
10	174894	Pan Pnt Seat (blk)
12	121246X	Bracket Pnt Mounting Switch
13	121248X	Bushing Snap Blk Nyl 50 Id

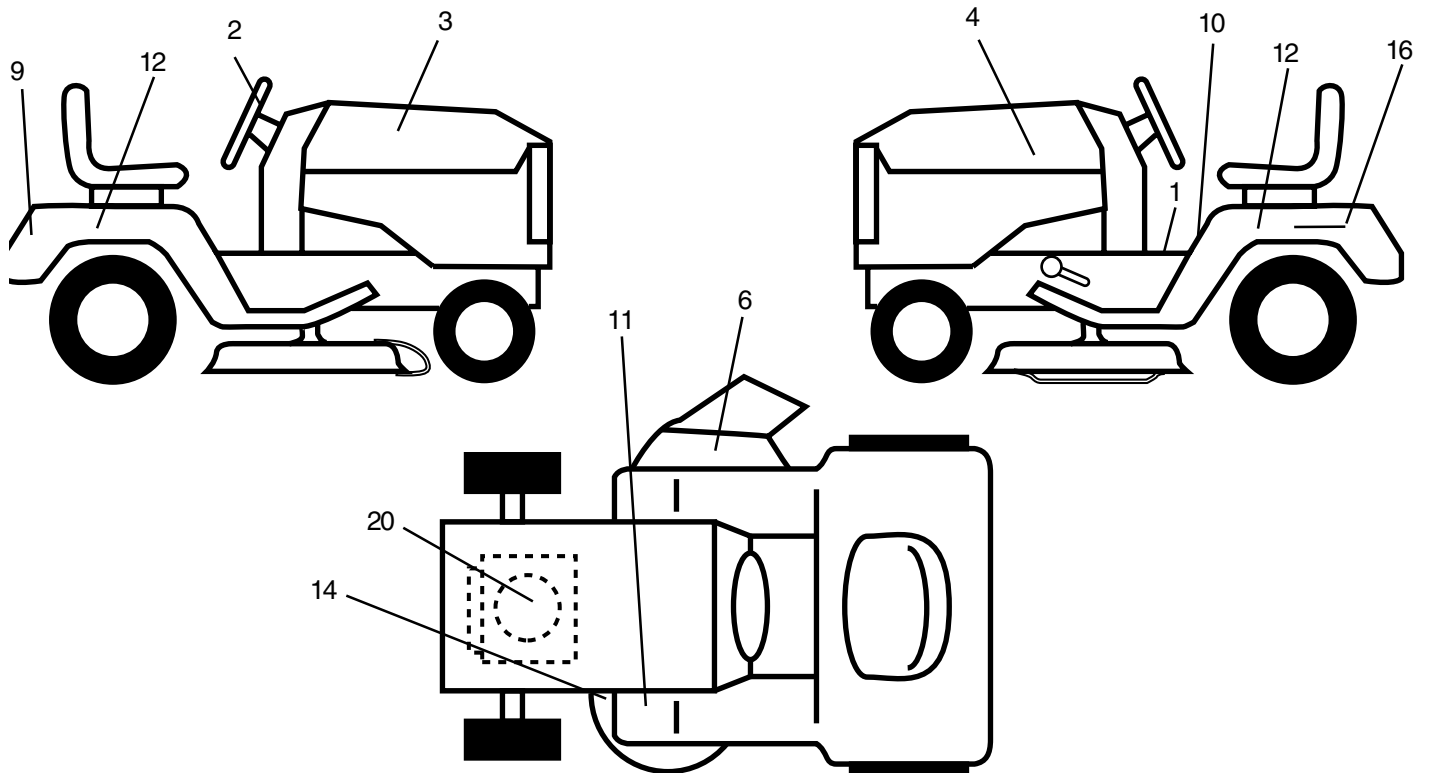
KEY NO.	PART NO.	DESCRIPTION
14	72050412	Bolt Rdhd Sht Nk 1/4-20 x 1-1/2
15	134300	Spacer Split 28 x 96 Yel Zinc
16	121250X	Spring Cprsn 1 27 Blk Pnt
17	123976X	Nut Lock 1/4 Lge Flg Gr 5 Zinc
21	171852	Bolt Shoulder 5/16-18 Unc Blkz-2A
22	73800500	Nut
23	71110814	Bolt Hex Black
24	19171912	Washer 17/32 x 1-3/16 x 12 Ga
25	127018X	Bolt Shoulder 5/16-18 x 62
26	10040800	Lockwasher

NOTE: All component dimensions given in U.S. inches
1 inch = 25.4 mm

REPAIR PARTS

TRACTOR - - MODEL NUMBER PO14542C

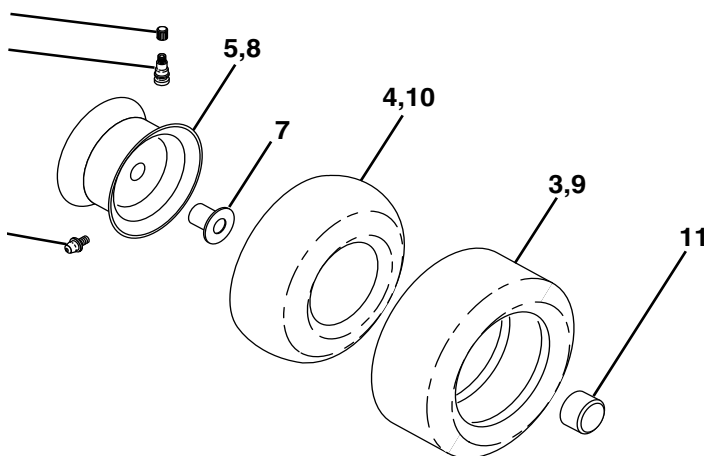
DECALS



KEY NO.	PART NO.	DESCRIPTION
1	157163	Decal Instruction Operat English
2	158168	Decal Ins Strg Wh
3	158037	Decal Hood Rh
4	158038	Decal Hood Lh
6	170563	Decal, Warning
9	158166	Decal Fender Logo
10	157140	Decal Danger English
11	101892X	Decal Clutch/brake English

KEY NO.	PART NO.	DESCRIPTION
12	173493	Decal Fender
14	160396	Decal V-belt Schematic 42"
16	145005	Decal Battery Danger/Poison
20	176396	Decal HP Engine
--	138311	Decal Lift Handle
--	133671	Pad Footrest
--	178097	Manual Owner's English
--	178098	Manual Owner's French

WHEELS & TIRES



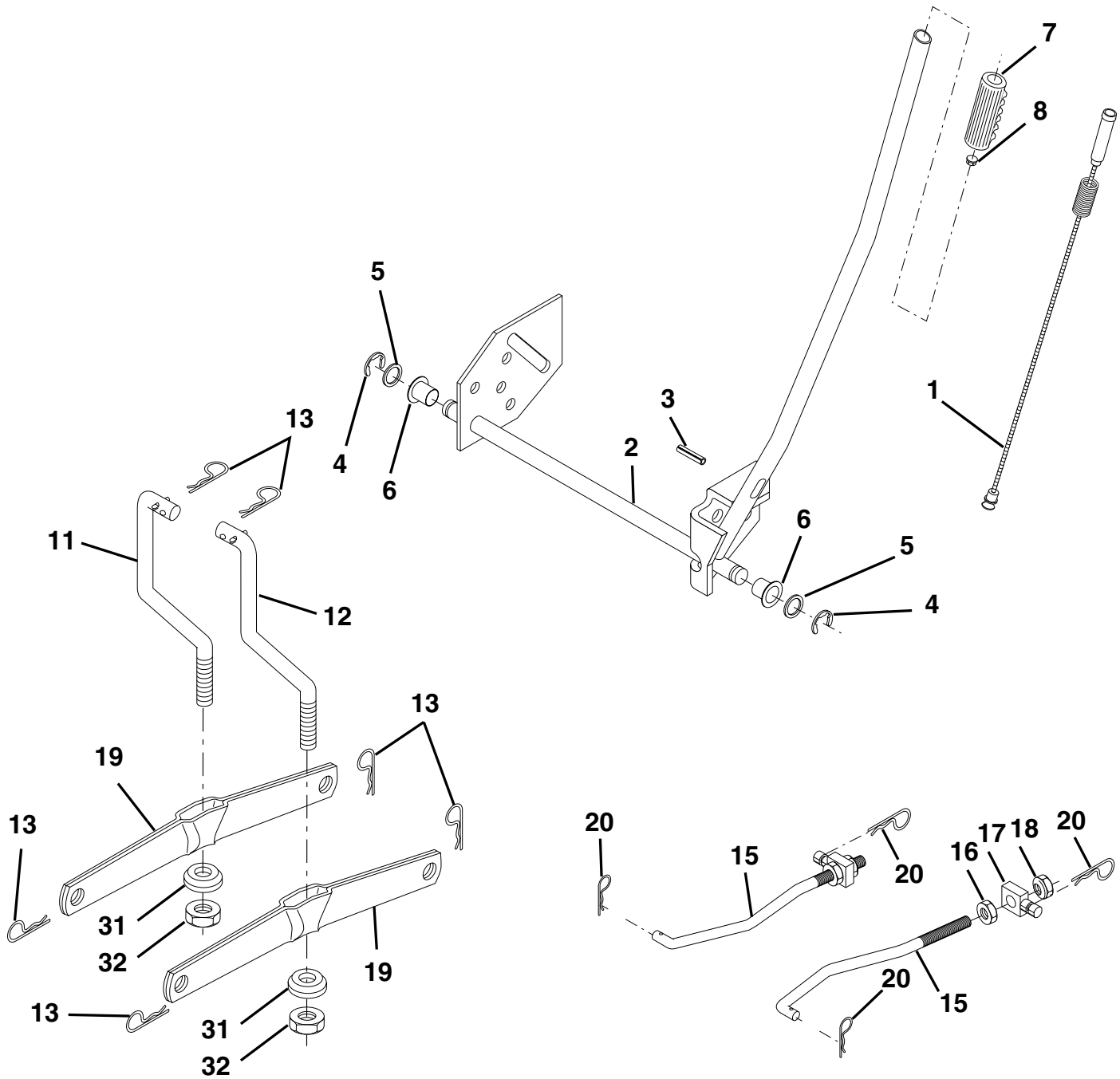
KEY NO.	PART NO.	DESCRIPTION
1	59192	Cap Valve Tire
2	65139	Stem Valve
3	106222X	Tire F Ts 15 X 6 0 - 6 Service
4	59904	Tube Front (Service Item Only)
5	106732X427	Rim Asm 6"front White Service
6	278H	Fitting Grease (Front Wheel Only)
7	9040H	Bearing Flange (Front Wheel Only)
8	106108X427	Rim Asm 8"rear White Service
9	106268X	Tire R Ts 18x9.5-8 C Service
10	7152J	Tube Rear (Service Item Only)
11	104757X428	Cap Axle Blk 1 50 X 1 00
--	144334	Sealant, Tire (10 oz. Tube)

NOTE: All component dimensions given in U.S. inches
1 inch = 25.4 mm

REPAIR PARTS

TRACTOR - - MODEL NUMBER PO14542C

MOWER LIFT



REPAIR PARTS

TRACTOR - - MODEL NUMBER PO14542C

MOWER LIFT

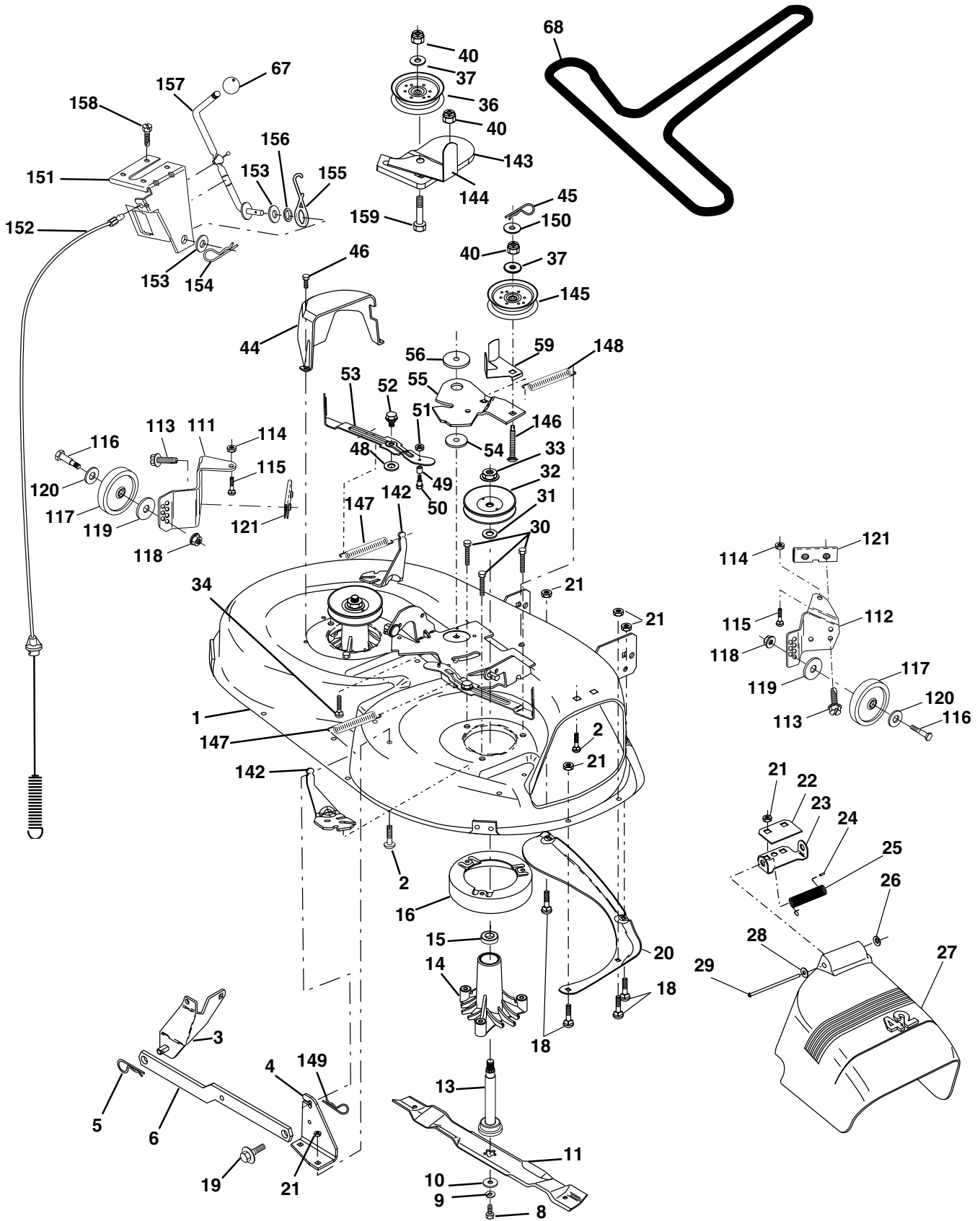
KEY NO.	PART NO.	DESCRIPTION
1	159460	Wire Asm Inner/Sprg w/Plunger
2	159471	Shaft Asm Lift
3	105767X	Pin Groove
4	12000002	E Ring #5133-62
5	19211621	Washer 21/32 x 1 x 21 Ga.
6	120183X	Bearing Nylon
7	109413X	Grip Handle
8	124526X	Button Plunger
11	139865	Link Lift Lh
12	139866	Link Lift Rh
13	4939M	Retainer Spring
15	173288	Link Front
16	73350800	Nut Jam Hex 1/2-13 Unc
17	175689	Trunnion
18	73800800	Nut Lock w/Wsh 1/2-13 Unc
19	139868	Arm Suspension Rear
20	163552	Retainer Spring
31	169865	Bearing Pvt Lift
32	73540600	Nut Crownlock 3/8-24

NOTE: All component dimensions given in U.S. inches
1 inch = 25.4 mm

REPAIR PARTS

TRACTOR - - MODEL NUMBER PO14542C

MOWER DECK



REPAIR PARTS

TRACTOR - - MODEL NUMBER PO14542C

MOWER DECK

KEY NO.	PART NO.	DESCRIPTION	KEY NO.	PART NO.	DESCRIPTION
1	165892	Mower Deck Assembly, 42"	53	131845	Arm Assembly, Pad, Brake
2	72140506	Bolt	54	133943	Washer, Hardened
3	138017	Bracket Asm Fr. Sway Bar 3/42	55	155046	Arm, Idler
4	165460	Bracket Asm Deck 42" Sway Bar	56	165723	Spacer, Retainer
5	4939M	Retainer Spring	59	141043	Guard TUV Idler
6	130832	Arm, Suspension, Rear	67	106932X	Knob
8	850857	Bolt 3/8-24 x 25 Grade 8 patched	68	144959	V-Belt, 42" Mower
9	10030600	Washer, Lock	111	155197	Bracket, Gauge, Wheel LH
10	140296	Washer, Hardened	112	155198	Bracket, Gauge, Wheel RH
11	138498	Blade	113	17060514	Screw Tapping 5/16 - 18 Unc
13	137645	Shaft Assembly, Mandrel, Vented	114	73510500	Nut, Keps 5/16 - 18 UNC
14	128774	Housing, Mandrel, Vented	115	72110504	Bolt, Carriage 5/16-18 x 1/2
15	110485X	Bearing, Ball, Mandrel	116	4898H	Bolt, Shoulder
16	174493	Stripper, Mower Deck	117	105455X	Wheel, Gauge
18	72140505	Bolt, Carriage 5/16-18 x 5/8	118	73930600	Nut Centerlock 3/8-16
19	132827	Bolt, Shoulder	119	19121414	Washer 3/8 x 7/8 x 14 Ga.
20	159770	Baffle, Vortex	120	19171512	Washer 17/32 x 15/16 x 12 Ga.
21	73680500	Nut	121	143723	Bracket, Extruded
22	134753	Stiffener Bracket	142	165890	Arm Spring Brake Mower
23	131267	Bracket, Deflector Mower 42"	143	157109	Bracket Arm Idler 42"
24	105304X	Cap, Sleeve 80 x 112 Blk Mower	144	158634	Keeper Belt 42" Clutch Cable
25	123713X	Spring, Torsion, Deflector 2 52	145	165888	Pulley Idler Flat
26	110452X	Nut, Push Phos & Oil	146	171977	Bolt Carriage Idler
27	130968X428	Shield, Deflector 42" Blk	147	131335	Spring Extension
28	19111016	Washer 11/32 x 5/8 x 16 Gauge	148	169022	Spring Return Idler
29	131491	Rod, Hinge 42" 6 75 W/G	149	165898	Retainer Spring Yellow
30	157722	Screw Thdrol Washer Head	150	19091216	Washer 9/32 x 3/4 x 16 Ga.
31	129963	Washer, Spacer Mower Vented	151	169670	Bracket Clutch Cable
32	153535	Pulley, Mandrel	152	169676	Clutch Cable 42"
33	178342	Nut, Toplock	153	169674	Washer Flat 3/8" Type B
34	72110614	Bolt	154	169675	Spring Retainer
36	131494	Pulley, Idler, Flat	155	169671	Spring Retention LVR CLTCH CAB
37	19131316	Washer 13/32 x 13/16 x 16 Gauge	156	169672	Spacer Clutch Cable
40	73680600	Nut	157	169669	Rod Clutch Cable 3/8"
44	140088	Guard, Mandrel, LH	158	17720410	Screw Hex Thd Cut 1/4-20 x 5/8
45	4497H	Retainer	159	72140614	Bolt Rdhd Sqn 3/8-16 UNC x 1-3/4
46	137729	Screw, Thdrol 1/4-20 x 5/8 T	--	130794	Mandrel Assembly (Includes Key Numbers 8-10, 13-15, 31 and 33)
48	133944	Washer, Hardened	--	171491	Replacement Mower, Complete
49	174284	Roller Assembly, Cam Follower			
50	131340	Bolt, Shoulder #10-24 Grade 5			
51	69180	Locknut			
52	139888	Bolt, Shoulder 5/16-18 UNC			

NOTE: All component dimensions given in U.S. inches
1 inch = 25.4 mm