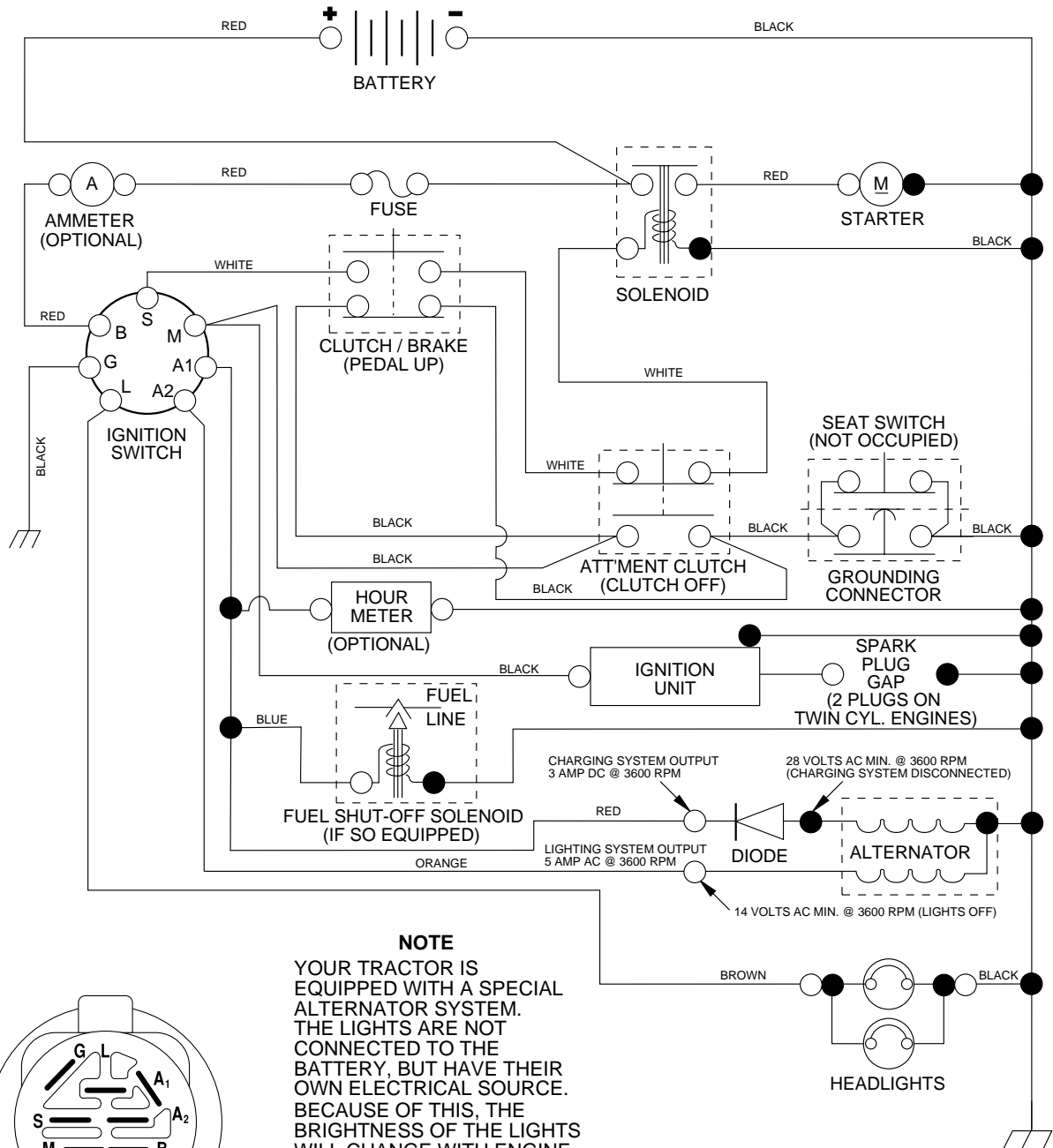


REPAIR PARTS

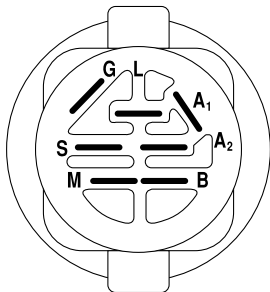
TRACTOR - - MODEL NUMBER PO165H42A

SCHEMATIC



NOTE

YOUR TRACTOR IS EQUIPPED WITH A SPECIAL ALTERNATOR SYSTEM. THE LIGHTS ARE NOT CONNECTED TO THE BATTERY, BUT HAVE THEIR OWN ELECTRICAL SOURCE. BECAUSE OF THIS, THE BRIGHTNESS OF THE LIGHTS WILL CHANGE WITH ENGINE SPEED. AT IDLE THE LIGHTS WILL DIM. AS THE ENGINE IS SPEEDED UP, THE LIGHTS WILL BECOME THEIR BRIGHTEST.



IGNITION SWITCH

POSITION	CIRCUIT	"MAKE"
OFF	M+G+A1	NONE
RUN/LIGHT	B+A1	A2+L
RUN	B+A1	NONE
START	B + S + A1	NONE

WIRING INSULATED CLIPS

NOTE: IF WIRING INSULATED CLIPS WERE REMOVED FOR SERVICING OF UNIT, THEY SHOULD BE REPLACED TO PROPERLY SECURE YOUR WIRING.

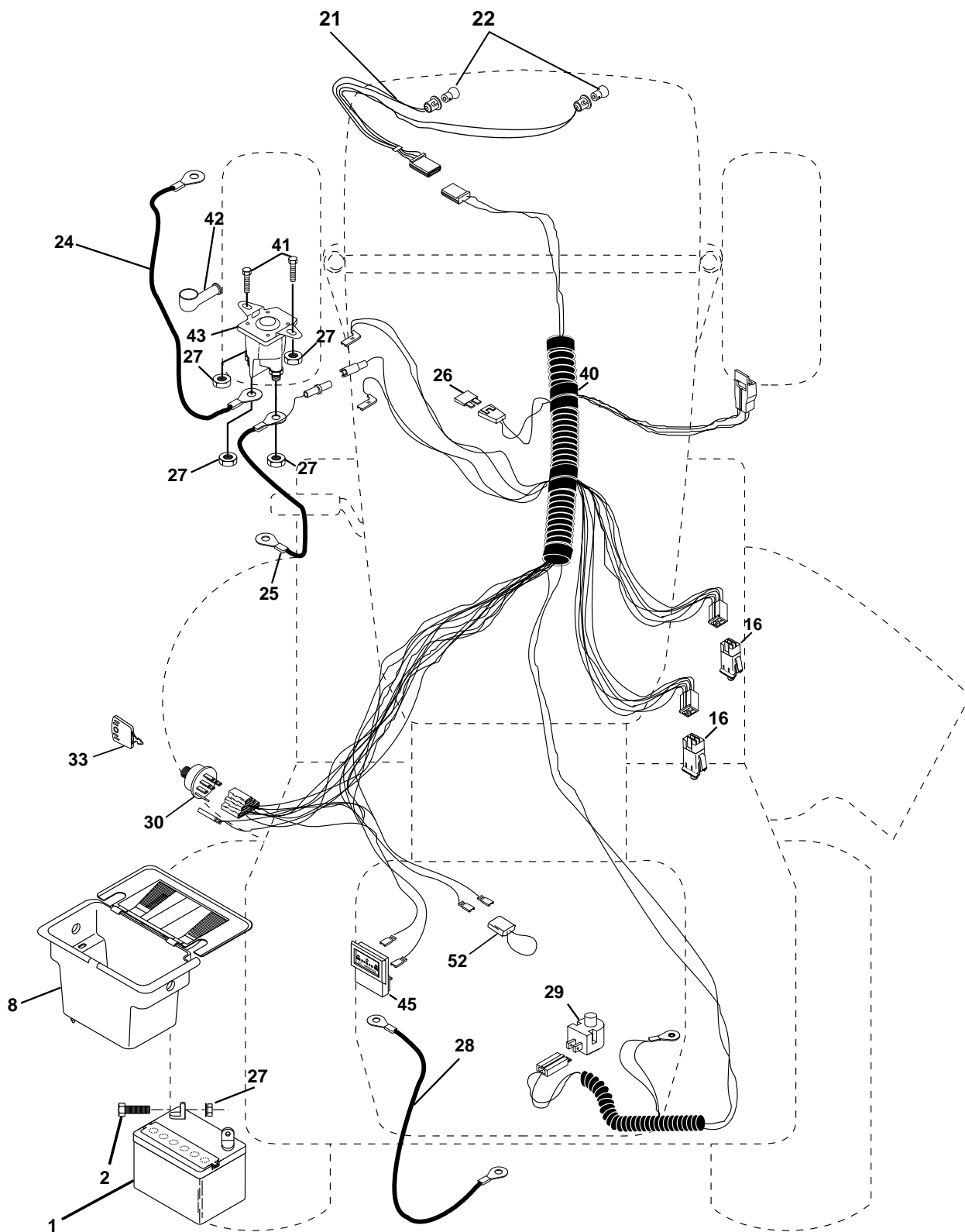
NON-REMOVABLE CONNECTIONS

REMOVABLE CONNECTIONS

REPAIR PARTS

TRACTOR - - MODEL NUMBER PO165H42A

ELECTRICAL



REPAIR PARTS

TRACTOR - - MODEL NUMBER PO165H42A

ELECTRICAL

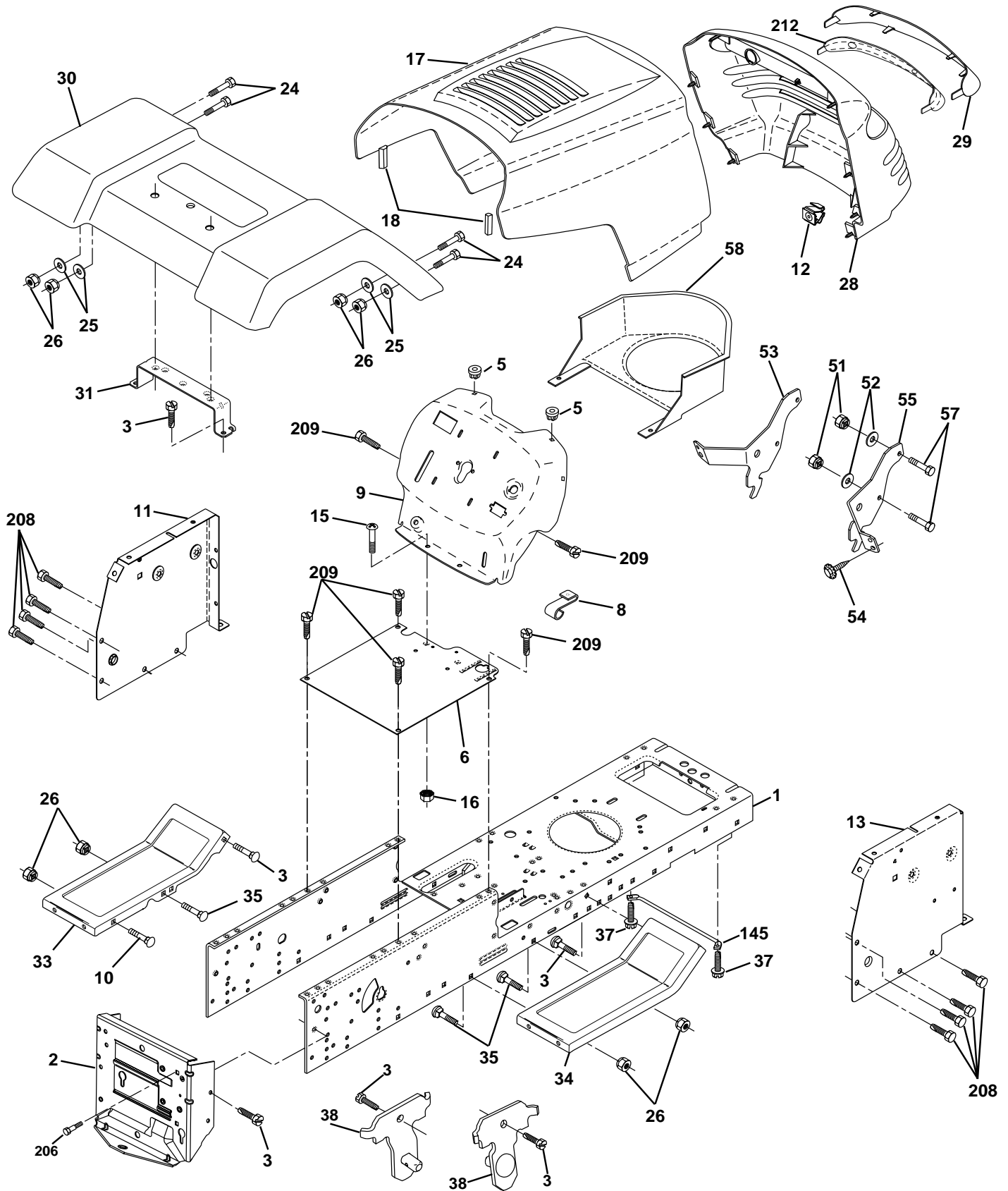
KEY NO.	PART NO.	DESCRIPTION
1	144925	Battery 12 Volt 25 Amp
2	74760412	Bolt Hex Hd 1/4-20unc X 3/4
8	156417	Case Battery
16	153664	Switch Interlock Push -In
21	166181	Harness Asm Light W/4152J
22	4152J	Bulb Light #1156
24	4799J	Cable Battery 6 Ga 11"red
25	146147	Cable Battery 6 Ga w/16 wire,red
26	175158	Fuse 20 AMP
27	73510400	Nut Keps Hex 1/4-20 unc
28	4207J	Cable Ground 6 Ga 12" black
29	121305X	Switch Plunger Nc Gray
30	175566	Switch Ign
33	140401	Key Ign
40	170217	Harness Ign
41	71110408	Bolt Blk Fin Hex 1/4-20 X 1/2
42	131563	Cover Terminal Red
43	175141	Solenoid
45	121433X	Ammeter
52	141940	Protection Wire Loop

NOTE: All component dimensions give in U.S. inches
1 inch = 25.4 mm.

REPAIR PARTS

TRACTOR - - MODEL NUMBER PO165H42A

CHASSIS AND ENCLOSURES



REPAIR PARTS

TRACTOR - - MODEL NUMBER PO165H42A

CHASSIS AND ENCLOSURES

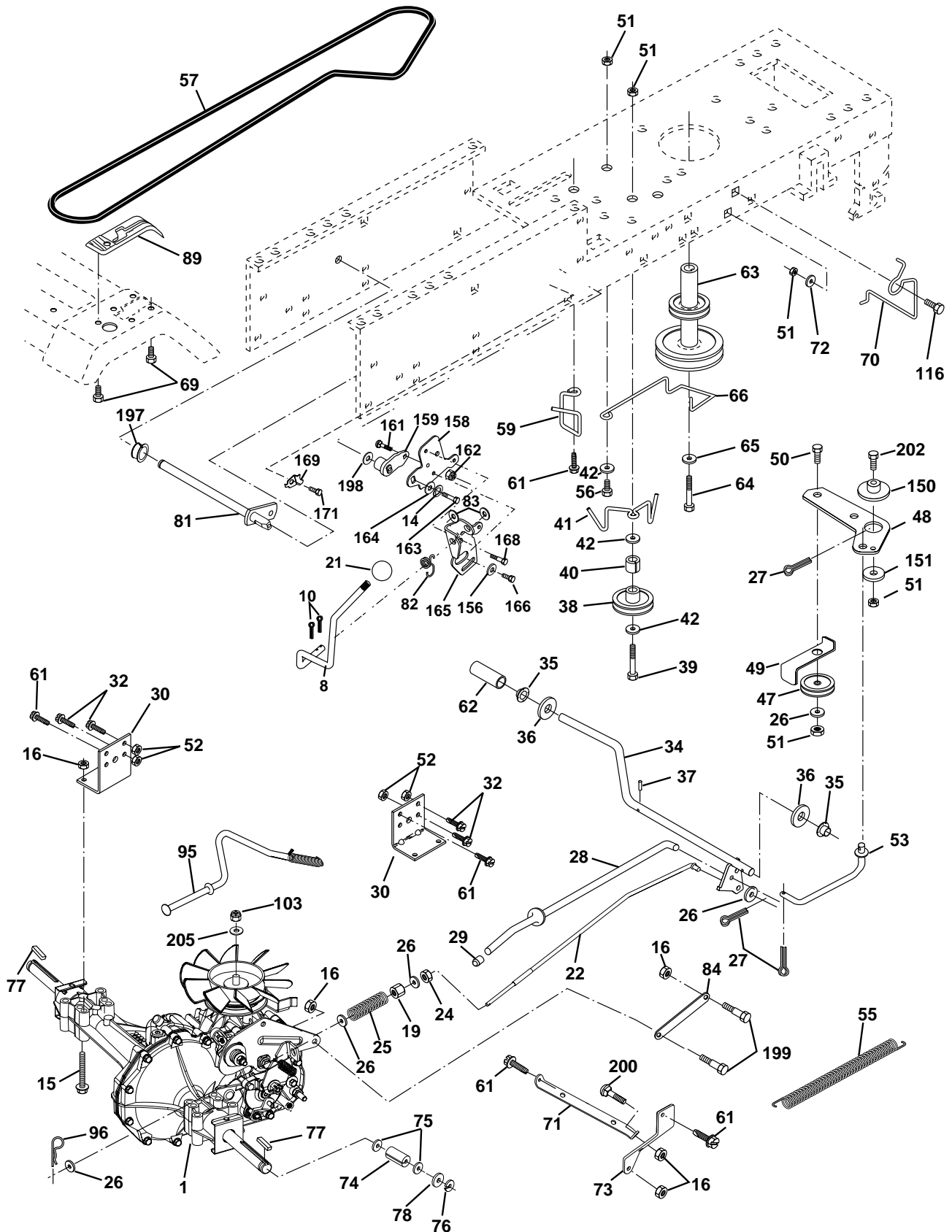
KEY NO.	PART NO.	DESCRIPTION
1	169831	Chassis
2	169061	Drawbar
3	17060612	Screw 3/8-16 x 3/4
5	155272	BumperHood/Dash
6	155923	Saddle Flat Lt
8	155138	Clip Retainer Slide-On
9	168348X012	Dash
10	72140608	Bolt RdHd Sqnk. 3/8-16 Unc x 1
11	155927	Panel Asm. Dash Lh
12	145660	Clip Tinnerman Grile P/L
13	172107X010	Panel Dash Rh
15	74180512	Screw Mach Trhd 5/16-18 Unc x 3/4
16	73510500	Nut Keps 5/16-18 Unc
17	159639X428	Hood
18	126938X	BumperHood
24	74780616	Bolt Fin Hex 3/8-16 Unc x 1 Gr. 5
25	19131312	Washer 13/32 x 13/16 x 12 Ga.
26	73800600	Nut Lock Hex w/Insert 3/8-16 UNC
28	140434	Grill/Lens Asm
29	140273X599	Lens Grille Private label
30	169467X428	Fender Asm
31	136619	Bracket Fender
33	145244X428	Footrest
34	145243X428	Footrest
35	72110606	Bolt RdHd Sht. Sqnk. 3/8-16 x 3/4
37	17490508	Screw Thdrol 5/16-18 x 1/2 Tyt
38	169834	Bracket Asm. Pivot Mower Rear
51	73800400	Nut Lock Hex W/Ins. 1/4-20
52	19091416	Washer 9/32 x 7/8 x 16 Ga.
53	144697	Bracket Grille LH
54	161464	Screw Hex Wshd 8-18 x 7/8
55	144696	Bracket, Grille RH
57	74780412	Bolt Fin Hex 1/4-20 x .75
58	150127	Air Duct Private Label
145	156524	Rod Pivot Chassis/Hood
206	170165	Bolt shoulder 5/16-18
208	17670608	Screw Thdrol 3/8-16 x 1/2
209	17000612	Screw Hex Wsh Thdrol 3/8-16
212	156229	Insert Lens Reflector
--	5479J	Plug Btn Blk

NOTE: All component dimensions given in U.S. inches
1 inch = 25.4 mm

REPAIR PARTS

TRACTOR - - MODEL NUMBER PO165H42A

DRIVE



REPAIR PARTS

TRACTOR - - MODEL NUMBER PO165H42A

DRIVE

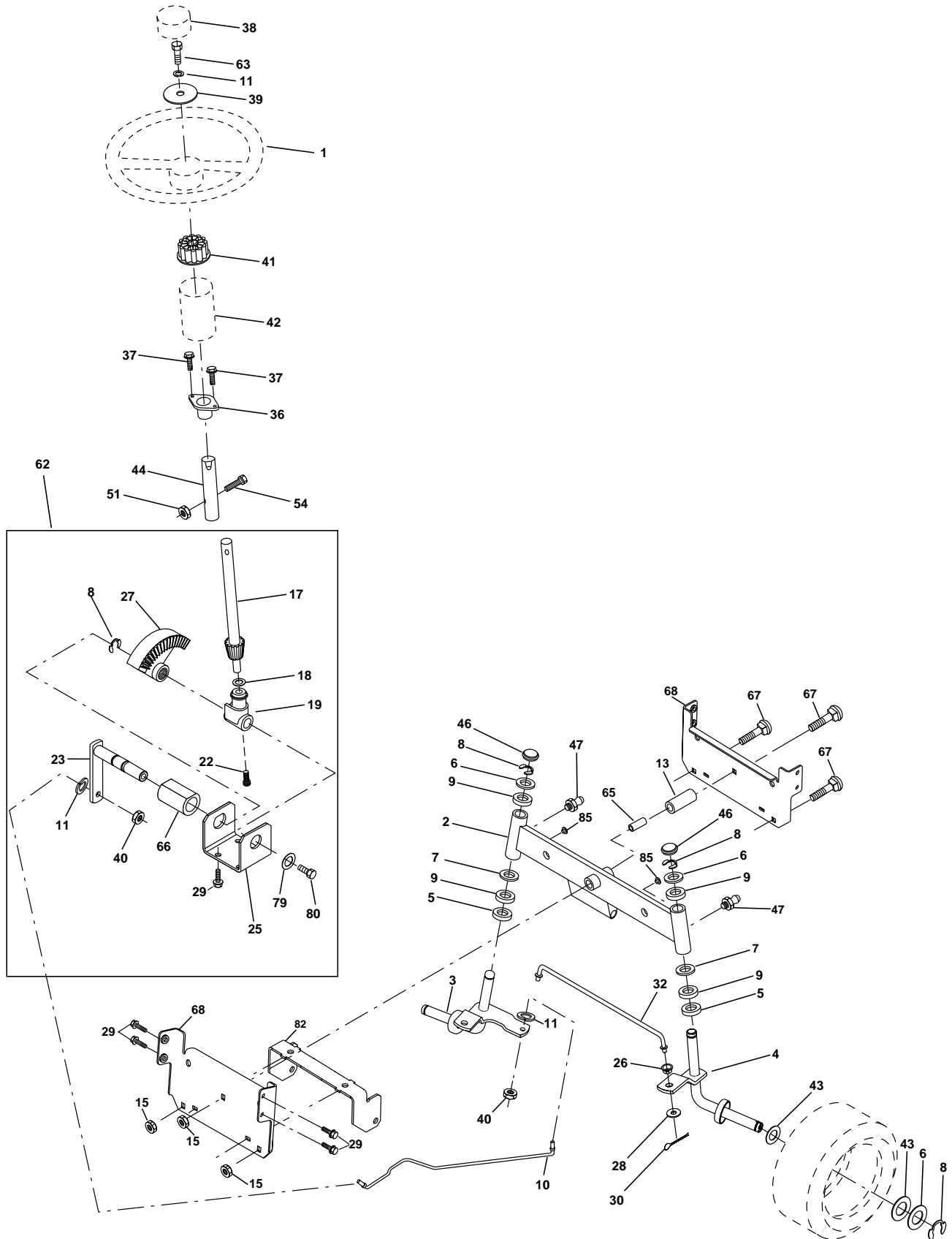
KEY NO.	PART NO.	DESCRIPTION	KEY NO.	PART NO.	DESCRIPTION
1	-----	Transaxle Hydro Gear Model 322-0510 (Order parts from the transaxle manufacturer)	65	10040700	Washer
8	165619	Rod, Shift	66	154778	Keeper, Belt Engine Hydro
10	76020416	Pin, Cotter 1/8 x 1	69	142432	Screw Hex Wsh Hi-Lo 1/4-1/2 Unc
14	10040400	Washer Lock 1/4	70	134683	Guide, Belt, Mower Drive RH
15	74490544	Bolt Hex Flghd 5/16-18 Gr. 5	71	169183	Strap, Torque, Lh
16	73800500	Nut, Lock Hex w/Ins 5/16-18 UNC	72	19132012	Washer 13/32 x 1-1/4 x 12 Ga.
19	73800600	Nut, Lock Hex w/Wsh 3/8-16 UNC	73	169182	Strap, Torque, Rh
21	106933X	Knob Rd. 1/2-13 Plstc. Thds. Blk.	74	137057	Spacer, Axle
22	169498	Rod, Brake	75	121749X	Washer 25/32 x 1-1/4 x 16 Ga.
24	73350600	Nut	76	12000001	Ring, E
25	106888X	Spring, Rod, Brake	77	123583X	Key, Square
26	19131316	Washer 13/32 x 13/16 x 16 Ga.	78	121748X	Washer 25/32 x 1-5/8 x 16 Ga.
27	76020412	Pin, Cotter 1/8 x 3/4	81	165596	Shaft Asm Cross
28	145204	Rod, Parking Brake	82	123782X	Spring, Torsion
29	71673	Cap, Parking Brake	83	19171216	Washer 17/32 x 3/4 x 16 Ga.
30	174973	Bracket, Transmission	84	169843	Link Transaxle
32	74760512	Bolt Hex 5/16-18 UNC x 3/4	89	169373X428	Console, Shift
34	155071	Shaft, Foot Pedal	95	170201	Control Asm Bypass Hydro
35	120183X	Bearing, Nylon	96	4497H	Spring, Retainer 1"
36	19211616	Washer	103	73940800	Nut, Hex Jam Toplock 1/2-20 UNF
37	1572H	Pin, Roll	116	72110610	Bolt Rdhd Sq Neck 3/8-16 x 1-1/4
38	131494	Pulley, Idler, Flat	150	165850	Bushing Bellcrank Grd Drive
39	74760644	Bolt	151	19133210	Washer 13/32 x 2 x 10
40	4470J	Spacer, Split	156	166002	Washer 5/16 x 1.0 x 1.25
41	165838	Keeper, Belt, Idler	158	165589	Bracket Shift Mount
42	19131312	Washer 13/32 x 13/16 x 12 Ga.	159	165494	Hub Tapered Flange Shift
47	127783	Pulley, Idler, V-Belt	161	72140406	Bolt Rdhd Sqnk 1/4-20 x 3/4 Gr. 5
48	154407	Bellcrank Clutch Grnd Drustl	162	73680400	Nut Crownlock 1/4-20 Unc
49	123205X	Retainer, Belt	163	74780416	Bolt Hex Fin 1/4-20 x 1
50	74760624	Bolt	164	19091010	Washer 5/8 x .281 x 10 Ga.
51	73680600	Nut	165	165623	Bracket Pivot Lever
52	73680500	Nut Crownlock 5/16-28	166	166880	Screw 5/16 x 1.0 x .125
53	105710X	Link, Clutch	168	165492	Bolt Shoulder 5/16-18 x .561
55	105709X	Spring, Return, Clutch	169	165581	Plate Fastening LT
56	74760620	Bolt, Hex 3/8-16 UNC x 1-1/4	197	169613	Nyliner Snap-in 5/8" ID
57	140294	V-Belt, Drive	198	169593	Washer Nyl 7/8ID x .105"HYD
59	169691	Keeper, Belt, Center	199	169612	Bolt Shoulder 5/16-18 Unc
61	17060612	Screw, 3/8-16 x 3/4	200	72140508	Bolt Rdhd Sqnk 5/16-18 Unc x 1
62	8883R	Cover, Pedal	202	72110612	Bolt Car SH 3/8-16 x 1-1/2 Gr 5
63	140186	Pulley, Engine	205	19171616	Washer 17/32 x 1 x 16 Ga
64	71170764	Bolt Hex 7/16 x 4 Gr. 5			

NOTE: All component dimensions given in U.S. inches
1 inch = 25.4 mm

REPAIR PARTS

TRACTOR - - MODEL NUMBER PO165H42A

STEERING ASSEMBLY



REPAIR PARTS

TRACTOR - - MODEL NUMBER PO165H42A

STEERING ASSEMBLY

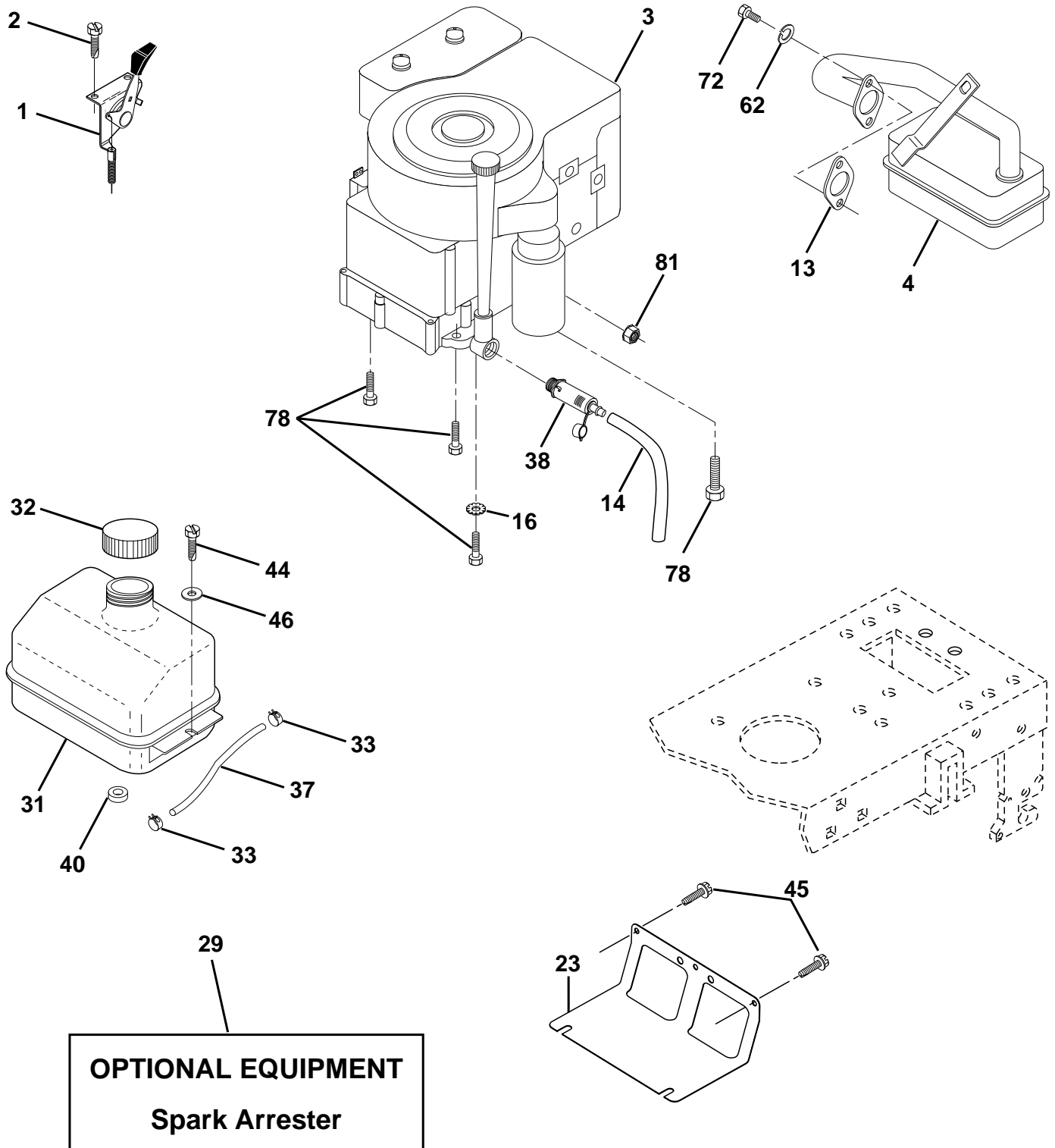
KEY NO.	PART NO.	DESCRIPTION
1	140044X428	Wheel Steering Auto Black
2	154427	Axle Asm Front
3	156483	Spindle Asm Lh
4	157473	Spindle Asm Rh
5	6266H	Bearing Race Thrust Harden
6	121748X	Washer 25/32 X 1 5/8 X 16ga
7	19272016	Washer 27/32 X 1 1/4 X 16 Ga
8	12000029	Ring Klip #t5304-75
9	3366R	Bearing Col Strg Blk
10	169832	Link Drag Extended
11	10040600	Lockwasher
13	136518	Spacer Bearing Axle Front
15	145212	Hex Flange Lock
17	156546	Shaft Asm Strg 5/8 X 15 19 Lt
18	57079	Washer Thrust 515x 750x 033
19	160395	Support Shaft
22	165857	Screw Hex Wsh Hd Torx
23	165851	Shaft Asm Pittman
25	154406	Bracket Steering
26	126847X	Bushing Rod Tie Blk Lt
27	136874	Gear Sector
28	19131416	Washer 13/32 X 7/8 X 16ga
29	17060612	Screw 3/8-16x3/4
30	76020412	Pin
32	130465	Rod Tie Wire Form 19 75 Mech
36	155099	Bushing Strg 5/8 Id Dash
37	152927	Screw TT #10-32 x 5 x 3/8 Flange
38	140045X428	Insert Cap Strg
39	19133812	Washer 13/32 x 2-3/8 x 12Ga
40	7810H	Locknut Center
41	100711L	Adaptor Wheel Strg 640/ 635id
42	145054X428	Boot Dash Steering
43	121749X	Washer 25/32 X 1 1/4 X 16 Ga
44	153720	Extension Steering Non-Adjust
46	121232X	Cap Spindle Fr Top Blk
47	6855M	Fitting Grease
51	73800500	Nut Lock Hex W/Ins.
54	74780520	Bolt Fin Hex 5/16-18 Unc P
62	167902	Kit Steering Assembly Service
63	74780616	Bolt Fin Hex 3/8-16unc x Gr. 5
65	160367	Spacer Brace Axle
66	154404	Bearing Arm Pittman
67	72140618	Bolt Rdhd Sq 3/8-16 Unc x 2-3/4
68	169827	Brace Axle
79	19132012	Washer 13/32 x 1-1/4 x 12 Ga
80	74950612	Bolt Hex Nylon 3/8-16 x 3/4
82	169835	Bracket Susp Chassis Front
85	133835	Fastener Christmas Tree

NOTE: All component dimensions given in U.S. inches
1 inch = 25.4 mm

REPAIR PARTS

TRACTOR - - MODEL NUMBER PO165H42A

ENGINE



REPAIR PARTS

TRACTOR - - MODEL NUMBER PO165H42A

ENGINE

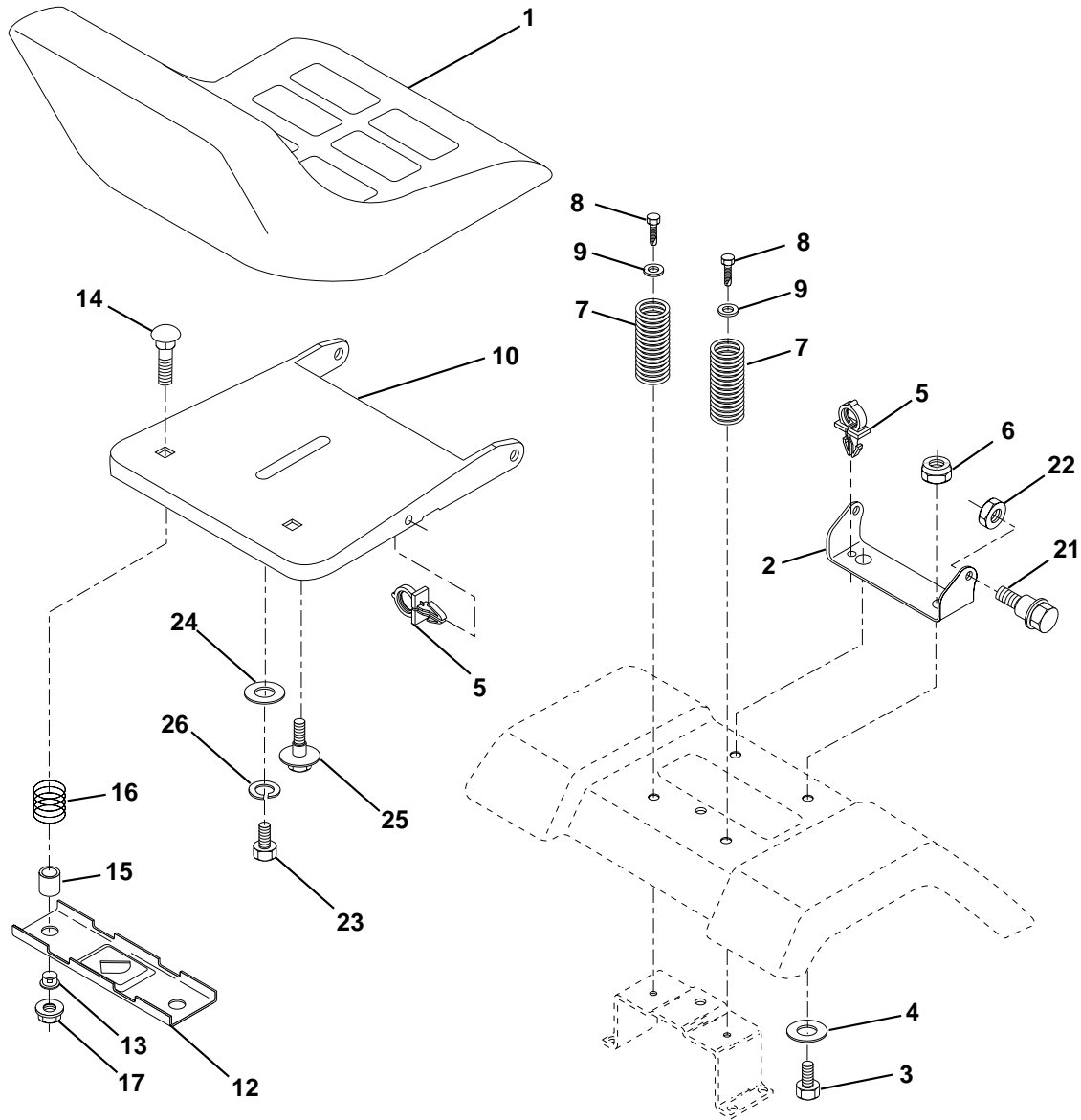
KEY NO.	PART NO.	DESCRIPTION
1	170551	Control Throt /Ch Flag
2	17720410	Screw Hex Thd Cut 1/4-20x5/8 T
3	-----	Engine Briggs Model 310707 (Order Parts From Engine Manufacturer)
4	137352	Muffler Exhaust B&S Lt
13	165291	Gasket 1 313 Id Tin Plated
14	148456	Tube Drain Oil Easy
16	11050600	Washer Lock Ext Tooth 3/8
23	169837	Shield Browning/Debris Guard
29	137180	Arrestor Spark
31	109202X	Tank Fuel 1 25 Fr
32	140527	Cap Asm Fuel W/sym Vented
33	123487X	Clamp Hose Blk
37	137040	Line Fuel 20"
38	148315	Plug Drain Oil Easy
40	124028X	Bushing Snap Nyl Blk Fuel Line
44	17670412	Screw Hexwsh Thdrol 1/4-20x3/4
45	17000612	Screw Hex Wsh Thdrol 3/8-16
46	19091416	Washer 9/32 X 7/8 X 16ga
62	10040500	Washer Lock Hvy Hlcl Spr 5/16
72	71070512	Screw Hexhd Cap 5/16-18x3/4
78	17060620	Screw Thdrol 3/8-16x1-1/4
81	73510400	Nut Keps Hex 1/4-20 Unc

NOTE: All component dimensions given in U.S. inches
1 inch = 25.4 mm

REPAIR PARTS

TRACTOR - - MODEL NUMBER PO165H42A

SEAT ASSEMBLY



KEY NO.	PART NO.	DESCRIPTION
1	140116	Seat
2	140551	Bracket Pnt Pivot Seat (blk)
3	71110616	Bolt
4	19131610	Washer 13/32 x 1 x 10 Ga
5	145006	Clip Push-In Hinged
6	73800600	Nut
7	124181X	Spring Seat Cprsn 2 250 Blk Zi
8	17000616	Screw 3/8-16 x 1.5
9	19131614	Washer 13/32 x 1 x 14 Ga
10	174894	Pan Pnt Seat (blk)
12	121246X	Bracket Pnt Mounting Switch
13	121248X	Bushing Snap Blk Nyl 50 Id

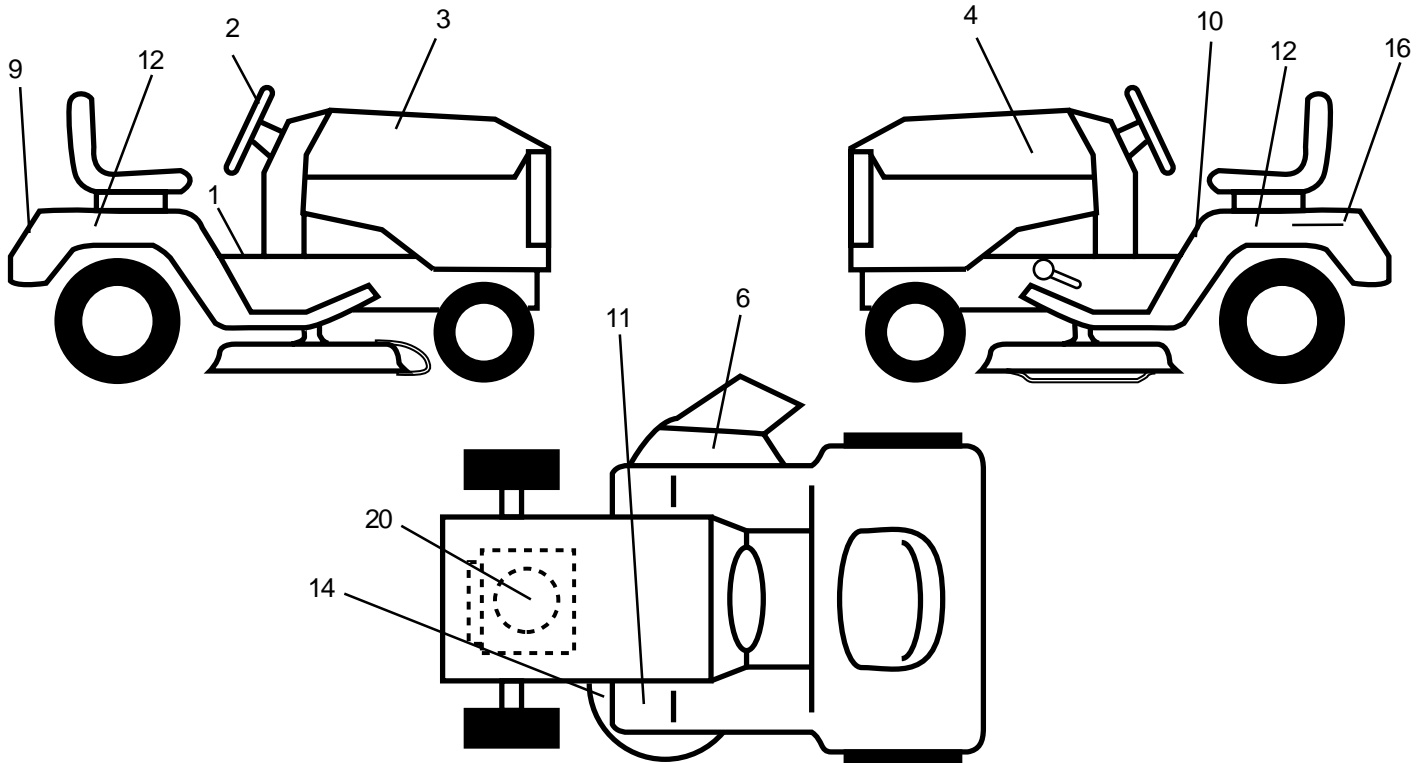
KEY NO.	PART NO.	DESCRIPTION
14	72050412	Bolt Rdhd Sht Nk 1/4-20 x 1-1/2
15	134300	Spacer Split 28 x 96 Yel Zinc
16	121250X	Spring Cprsn 1 27 Blk Pnt
17	123976X	Nut Lock 1/4 Lge Flg Gr 5 Zinc
21	171852	Bolt Shoulder 5/16-18 Unc Blkz-2A
22	73800500	Nut
23	71110814	Bolt Hex Black
24	19171912	Washer 17/32 x 1-3/16 x 12 Ga
25	127018X	Bolt Shoulder 5/16-18 x 62
26	10040800	Lockwasher

NOTE: All component dimensions given in U.S. inches
1 inch = 25.4 mm

REPAIR PARTS

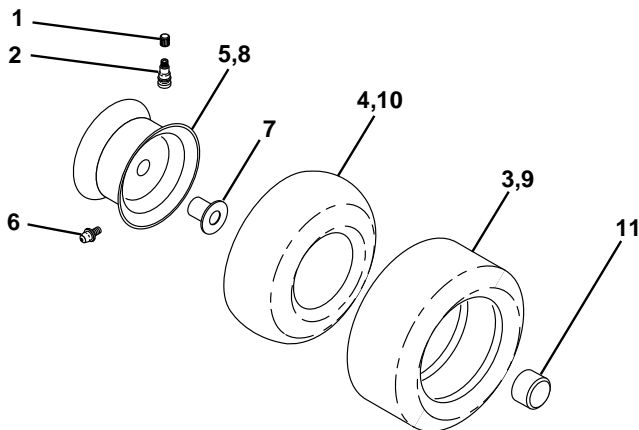
TRACTOR - - MODEL NUMBER PO165H42A

DECALS



KEY NO.	PART NO.	DESCRIPTION	KEY NO.	PART NO.	DESCRIPTION
1	156993	Decal Instruction Operat English/French	10	157140	Decal Danger English
2	158168	Decal Ins Strg Wh	11	101892X	Decal Clutch/brake English
3	175782	Decal Hood Rh	12	175784	Decal Fender
4	175783	Decal Hood Lh	14	160396	Decal V-belt Schematic 42"
6	170563	Decal, Warning	16	145005	Decal Battery Danger/Poison
9	158166	Decal Fender Logo	20	170945	Decal HP Engine
			--	133671	Pad Footrest
			--	138311	Decal Lift Handle
			--	176085	Manual Owner's English
			--	176086	Manual Owner's French

WHEELS & TIRES



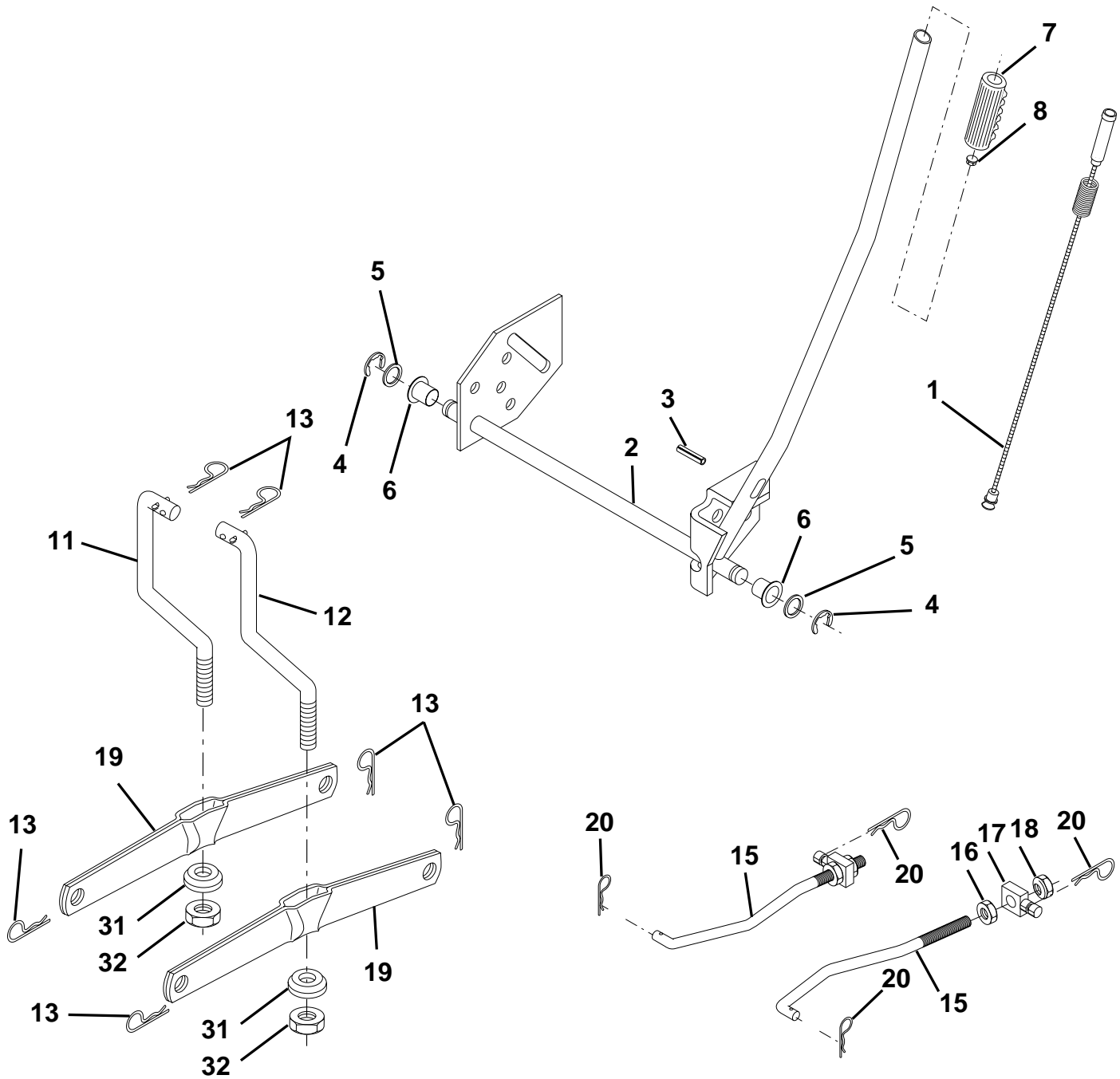
KEY NO.	PART NO.	DESCRIPTION
1	59192	Cap Valve Tire
2	65139	Stem Valve
3	106222X	Tire F Ts 15 X 6 0 - 6 Service
4	59904	Tube Front (Service Item Only)
5	106732X427	Rim Asm 6"front White Service
6	278H	Fitting Grease (Front Wheel Only)
7	9040H	Bearing Flange (Front Wheel Only)
8	106108X427	Rim Asm 8"rear White Service
9	106268X	Tire R Ts 18x9.5-8 C Service
10	7152J	Tube Rear (Service Item Only)
11	104757X428	Cap Axle Blk 1 50 X 1 00
--	144334	Sealant, Tire (10 oz. Tube)

NOTE: All component dimensions given in U.S. inches
1 inch = 25.4 mm

REPAIR PARTS

TRACTOR - - MODEL NUMBER PO165H42A

MOWER LIFT



REPAIR PARTS

TRACTOR - - MODEL NUMBER PO165H42A

MOWER LIFT

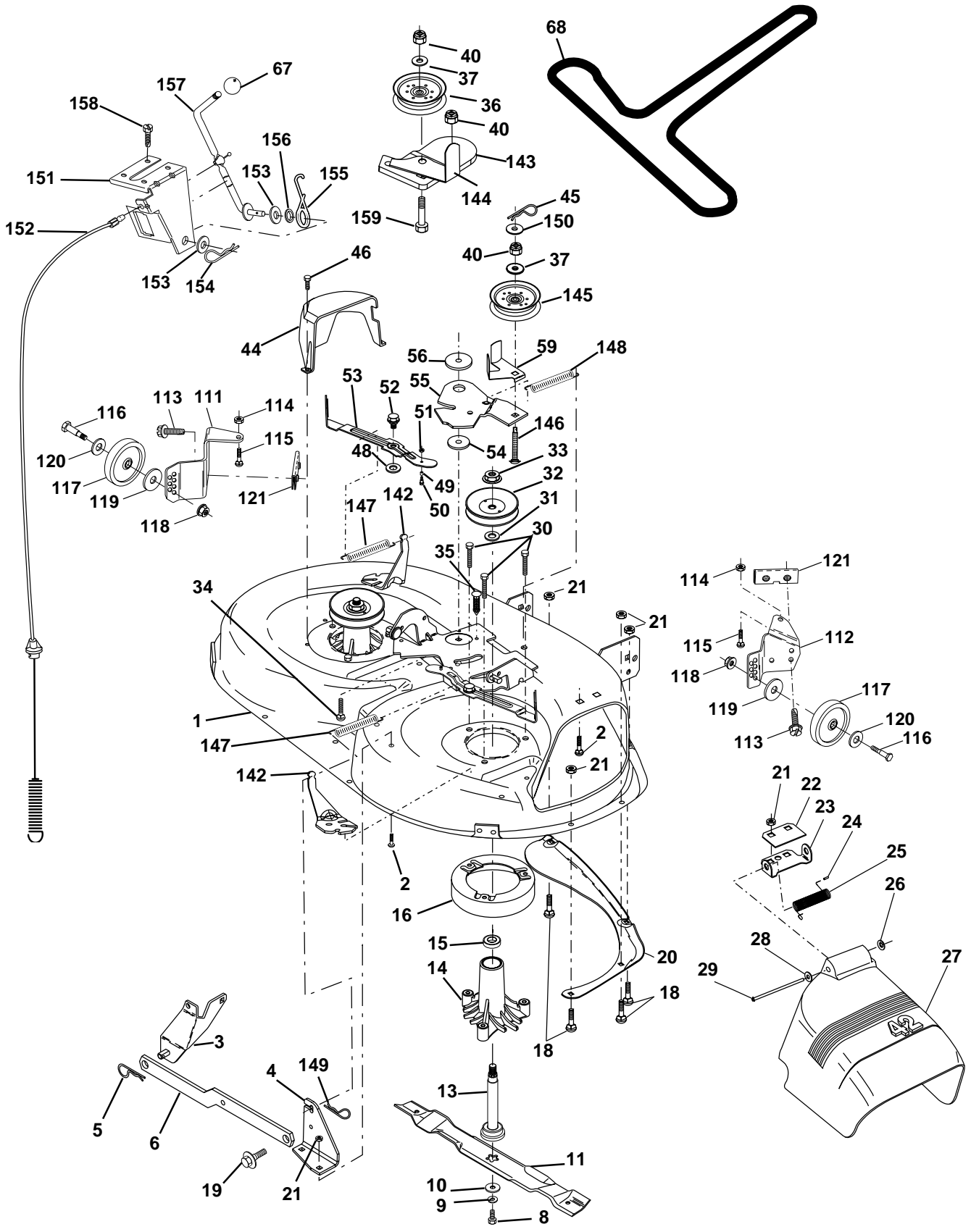
KEY NO.	PART NO.	DESCRIPTION
1	159460	Wire Asm Inner/Sprg w/Plunger
2	159471	Shaft Asm Lift
3	105767X	Pin Groove
4	12000002	E Ring #5133-62
5	19211621	Washer 21/32 x 1 x 21 Ga.
6	120183X	Bearing Nylon
7	109413X	Grip Handle
8	124526X	Button Plunger
11	139865	Link Lift Lh
12	139866	Link Lift Rh
13	4939M	Retainer Spring
15	173288	Link Front
16	73350800	Nut Jam Hex 1/2-13 Unc
17	130171	Trunnion Blk Zinc
18	73800800	Nut Lock w/Wsh 1/2-13 Unc
19	139868	Arm Suspension Rear
20	163552	Retainer Spring
31	169865	Bearing Pvt Lift
32	73540600	Nut Crownlock 3/8-24

NOTE: All component dimensions given in U.S. inches
1 inch = 25.4 mm

REPAIR PARTS

TRACTOR - - MODEL NUMBER PO165H42A

MOWER DECK



REPAIR PARTS

TRACTOR - - MODEL NUMBER PO165H42A

MOWER DECK

KEY NO.	PART NO.	DESCRIPTION	KEY NO.	PART NO.	DESCRIPTION
1	165892	Mower Deck Assembly, 42"	55	155046	Arm, Idler
2	72140506	Bolt	56	165723	Spacer, Retainer
3	138017	Bracket Asm Fr. Sway Bar 3/42	59	141043	Guard TUV Idler
4	165460	Bracket Asm Deck 42" Sway Bar	67	106932X	Knob
5	4939M	Retainer Spring	68	144959	V-Belt, 42" Mower
6	130832	Arm, Suspension, Rear	111	155197	Bracket, Gauge, Wheel LH
8	850857	Bolt 3/8-24 x 25 Grade 8 patched	112	155198	Bracket, Gauge, Wheel RH
9	10030600	Washer, Lock	113	17060514	Screw Tapping 5/16-18 Unc
10	140296	Washer, Hardened	114	73510500	Nut, Keps 5/16 - 18 UNC
11	138498	Blade	115	72110504	Bolt, Carriage 5/16-18 x 1/2
13	137645	Shaft Assembly, Mandrel, Vented	116	4898H	Bolt, Shoulder
14	128774	Housing, Mandrel, Vented	117	105455X	Wheel, Gauge
15	110485X	Bearing, Ball, Mandrel	118	73930600	Nut Centerlock 3/8-16
16	140329	Stripper, Vented Mower Deck	119	19121414	Washer 3/8 x 7/8 x 14 Ga.
18	72140505	Bolt, Carriage 5/16-18 x 5/8	120	19171512	Washer 17/32 x 15/16 x 12 Ga.
19	132827	Bolt, Shoulder	121	143723	Bracket, Extruded
20	159770	Baffle, Vortex	142	165890	Arm Spring Brake Mower
21	73680500	Nut	143	157109	Bracket Arm Idler 42"
22	134753	Stiffener Bracket	144	158634	Keeper Belt 42" Clutch Cable
23	131267	Bracket, Deflector Mower 42"	145	165888	Pulley Idler Flat
24	105304X	Cap, Sleeve 80 x 112 Blk Mower	146	171977	Bolt Carriage Idler
25	123713X	Spring, Torsion, Deflector 2 52	147	131335	Spring Extension
26	110452X	Nut, Push Phos & Oil	148	169022	Spring Return Idler
27	130968X428	Shield, Deflector 42" Blk	149	165898	Retainer Spring Yellow
28	19111016	Washer 11/32 x 5/8 x 16 Gauge	150	19091216	Washer 9/32 x 3/4 x 16 Ga.
29	131491	Rod, Hinge 42" 6 75 W/G	151	169670	Bracket Clutch Cable
30	157722	Screw Thdrol Washer Head	152	169676	Clutch Cable 42"
31	129963	Washer, Spacer Mower Vented	153	169674	Washer Flat 3/8" Type B
32	153535	Pulley, Mandrel	154	169675	Spring Retainer
33	137266	Nut, Toplock 9/16	155	169671	Spring Retention LVR CLTCH CAB
34	72110614	Bolt	156	169672	Spacer Clutch Cable
35	133835	Fastener, Christmas Tree	157	169669	Rod Clutch Cable 3/8"
36	131494	Pulley, Idler, Flat	158	17720410	Screw Hex Thd Cut 1/4-20 x 5/8
37	19131316	Washer 13/32 x 13/16 x 16 Gauge	159	72140614	Bolt Rdhd Sqn 3/8-16 UNC x 1-3/4
40	73680600	Nut	--	130794	Mandrel Assembly (Includes Key Numbers 8-10, 12-15, 31 and 33)
44	140088	Guard, Mandrel, LH	--	171491	Mower Deck, Complete (Standard Deck - Order separately mulcher plate and gauge wheel components Key Nos. 101-106, and 111-121)
45	4497H	Retainer			
46	137729	Screw, Thdrol 1/4-20 x 5/8 T			
48	133944	Washer, Hardened			
49	174284	Roller Assembly, Cam Follower			
50	131340	Bolt, Shoulder #10-24 Grade 5			
51	69180	Locknut			
52	139888	Bolt, Shoulder 5/16-18 UNC			
53	131845	Arm Assembly, Pad, Brake			
54	133943	Washer, Hardened			

NOTE: All component dimensions given in U.S. inches
1 inch = 25.4 mm