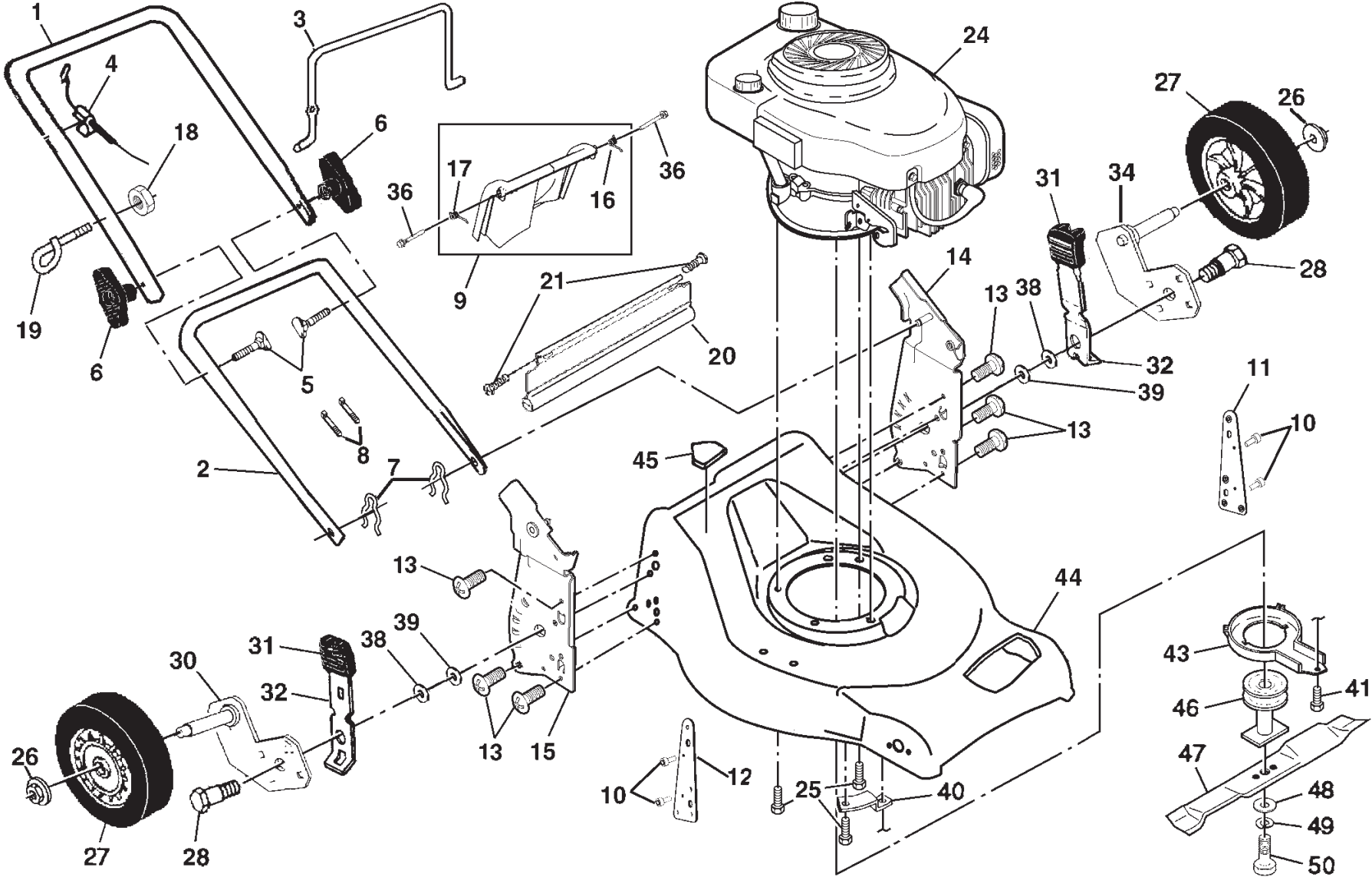


ROTARY LAWN MOWER - - MODEL NUMBER PO6TY21RB

2



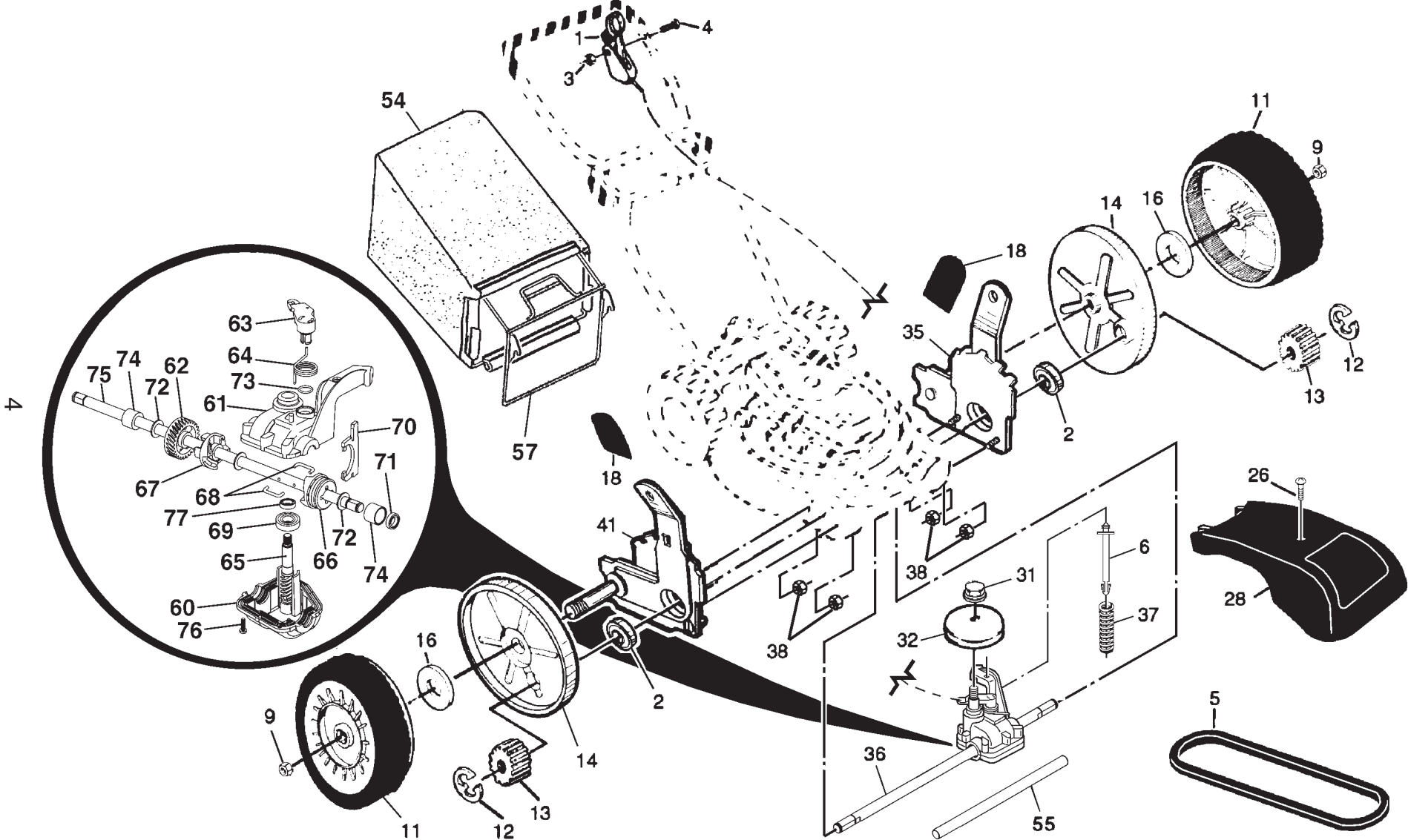
ROTARY LAWN MOWER - - MODEL NUMBER PO6TY21RB

3

KEY NO.	PART NO.	DESCRIPTION	KEY NO.	PART NO.	DESCRIPTION
1	166860X479	Upper Handle	27	149838	Wheel
2	151721X479	Lower Handle	28	189312	Shoulder Bolt 5/16-18 x .33
3	146771	Control Bar	30	186575X004	Axle Arm Assembly, RR
4	175148	Engine Zone Control Cable	31	87877	Selector Knob
5	191574	Handle Bolt	32	175060X004	Selector Spring
6	189713X428	Handle Knob	34	186576X004	Axle Arm Assembly, LR
7	51793	Hairpin Cotter	36	184193	Bolt
8	66426	Wire Tie	38	176185	Washer, Step
9	180479	Rear Door Kit (Includes Key #16 and 17)	39	176235	Pushnut
10	128415	Pop Rivet	40	188839X004	Mounting Bracket, Debris Shield
11	175069X479	Support Bracket, LH	41	188040	Screw
12	175070X479	Support Bracket, RH	43	188784	Debris Shield
13	17060410	Screw 14-20 x 5/8	44	190541	Kit, Lawn Mower Housing (Includes Key Numbers 10, 11, 12 and 45)
14	175082X479	Handle Bracket Assembly, LH	45	107339X	Danger Decal
15	175081X479	Handle Bracket Assembly, RH	46	189179	Blade Adapter / Pulley
16	180071	Spring, LH	47	189028	Blade 21"
17	180072	Spring, RH	48	851074	Hardened Washer
18	132004	Keps Locknut 1/4-20	49	850263	Helical Washer 3/8-24 x 1-3/8 Grade 8
19	179585	Rope Guide	50	851084	Hex Head Machine Screw 3/8-24 x 1-3/8 Grade 8
20	189005	Rear Skirt	--	162300	Warning Decal (not shown)
21	88652	Hinge Screw 1/4-20 x 1-1/4	--	172787	Operator's Manual, English
24	---	Engine, Tecumseh, Model Number LV195 (For engine service and replacement parts, call Tecumseh Products at 1-800-558-5402)	--	172788	Operator's Manual, French
25	150406	Screw, Hex Head, Thread Rolling 3/8-16 x 1-1/8	--	192361	Repair Parts Manual, English / French
26	83923	Hex Flange Nut			

NOTE: All component dimensions given in U.S. inches.
1 inch = 25.4 mm

ROTARY LAWN MOWER - - MODEL NUMBER PO6TY21RB



ROTARY LAWN MOWER - - MODEL NUMBER PO6TY21RB

KEY NO.	PART NO.	DESCRIPTION	KEY NO.	PART NO.	DESCRIPTION
1	184588	Control Cable Assembly	55	175739	Driveshaft Cover
2	167387	Bearing, Wheel Adjuster	57	188815	Frame, Grassbag
3	191730	Locknut #10-24	60	183497	* Case, Lower
4	158755	Hex Washer Head Screw 1/4-20 x 2.12	61	183498	* Case, Upper
5	175436	V-Belt	62	183499	Gear, 27 Teeth
6	150495	Spring Retainer	63	183500	Lever, Clutch
9	145212	Locknut	64	183501	Spring, Return
11	180776	Wheel & Tire Assembly	65	183502	Shaft, Input
12	12000058	E-Ring	66	183503	Dog, Movable
13	137054	Pinion	67	183504	Dog, Fixed
14	189403	Dust Cover	68	183505	Wire, Formed
16	67725	Washer 1/2 x 1-1/2 x .134	69	183506	Bearing, Ball
18	87877	Selector Knob	70	183507	Fork, Shift
26	175262	Pan Head Tapping Screw #10-24 x 2-3/4	71	183508	Seal, Output Shaft
28	181467	Drive Cover	72	183509	Washer
31	132010	Hex Flange Nut	73	183510	Seal, Case
32	189407	Drive Pulley	74	183511	Bushing
35	152018	Kit, Wheel Adjuster, LH (Includes Knob and Bearing)	75	183512	Shaft, Output
36	180184	Gear Case Assembly, Complete	76	183513	Screw
37	137090	Spring	77	183514	Seal, Input Shaft
38	73800400	Locknut 1/4-20			
41	152019	Kit, Wheel Adjuster, RH (Includes Knob and Bearing)			
54	190496	Grassbag Assembly			

* Use Dow Corning #709 to reseal Gear Case Halves.

NOTE: All component dimensions given in U.S. inches.
1 inch = 25.4 mm