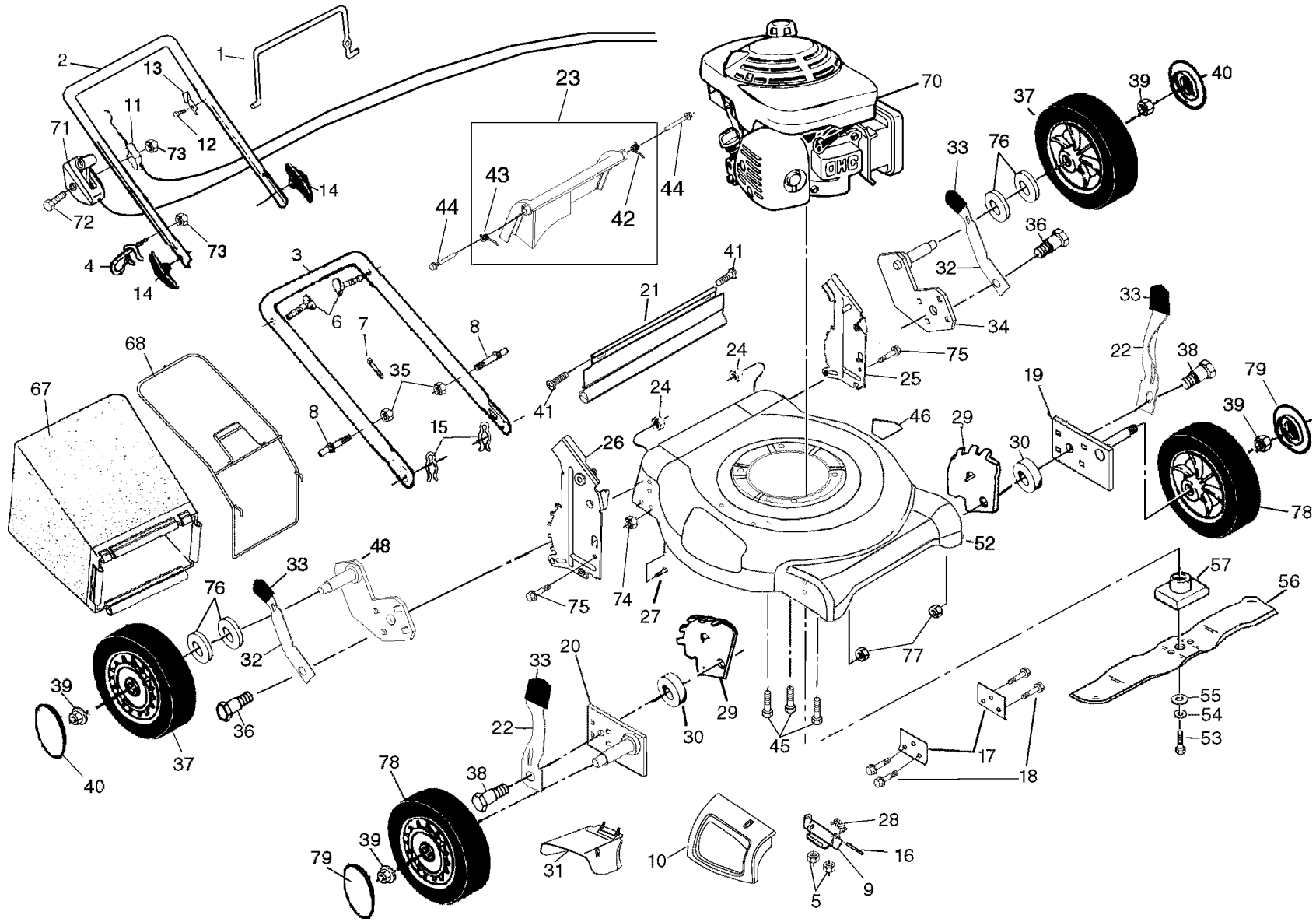


ROTARY LAWN MOWER - - MODEL NUMBER PR55N21CHA



ROTARY LAWN MOWER - - MODEL NUMBER PR55N21CHA

KEY NO.	PART NO.	DESCRIPTION	KEY NO.	PART NO.	DESCRIPTION
1	180426	Control Bar	37	180203	Wheel Assembly
2	166860X479	Upper Handle	38	160828	Bolt, Shoulder
3	161105X479	Lower Handle	39	83923	Flanged Locknut
4	179585	Rope Guide	40	180624	Hubcap
5	63601	Locknut 1/4-20	41	88652	Hinge Screw
6	131959	Handle Bolt	42	165766	Spring (LH)
7	66426	Wire Tie	43	165767	Spring (RH)
8	161551	Bolt	44	165912	Door Bolt
9	154132	Hinge Bracket	45	150406	Hex Head Thread Rolling Screw 3/8-16 x 1
10	165754	Mulcher Door	46	107339X	Danger Decal
11	130861	Engine Zone Control Cable	48	180410X004	Axle Arm Assembly - RR
12	750634	Hex Washer Head Screw #10-24 x 1/2	52	174161	Housing Assembly (Incl. Ref. #17, 18 & 46)
13	850733X004	Up-Stop Bracket	53	851084	Hex Head Screw 3/8-24 x 1-3/8 Grd. 8
14	170146	Handle Knob	54	850263	Helical Lockwasher
15	51793	Hairpin Cotter	55	851074	Hardened Washer
16	147286	Hinge Rod	56	175064	21" Blade
17	165946X479	Support Bracket	57	851514	Blade Adapter
18	17600406	Screw	67	181365	Grass Bag
19	167132X004	Axle Arm Assembly - LF	68	180332	Grass Bag Frame
20	167133X004	Axle Arm Assembly - RF	70	---	Engine, Honda GCV160 (Order parts from Engine Manufacturer)
21	165858	Rear Skirt	71	170295	Throttle Control
22	168360X004	Selector Spring - Front	72	144929	Screw
23	166875	Rear Door Assembly Kit (Includes Springs - Key Numbers 42 and 43)	73	132004	Nut, Hex
24	63124	Locknut 5/16-18	74	166785	Nut, Hex
25	166236X479	Handle Bracket Assembly (Left)	75	851856	Screw
26	166243X479	Handle Bracket Assembly (Right)	76	57143	Washer
27	74780512	Screw 1/4-20 x 3/8	77	751153	Nut, Hex
28	152124	Hinge Spring	78	157178	Wheel Assembly
29	160835X007	Wheel Adjusting Bracket - Front	79	180660	Hubcap
30	19112206	Washer	--	162300	Warning Decal (Not Shown)
31	165760	Clip on Discharge Guard	--	172782	Operator's Manual, English
32	168360X004	Selector Spring - Rear	--	172783	Operator's Manual, French
33	170143	Selector Knob	--	181774	Repair Parts Manual, English/French
34	180409X004	Axle Arm Assembly - LR			
35	73990500	Nut, Hex			
36	164362	Shoulder Bolt 5/16-18			

NOTE: All component dimensions given in U.S. inches.
1 inch = 25.4 mm