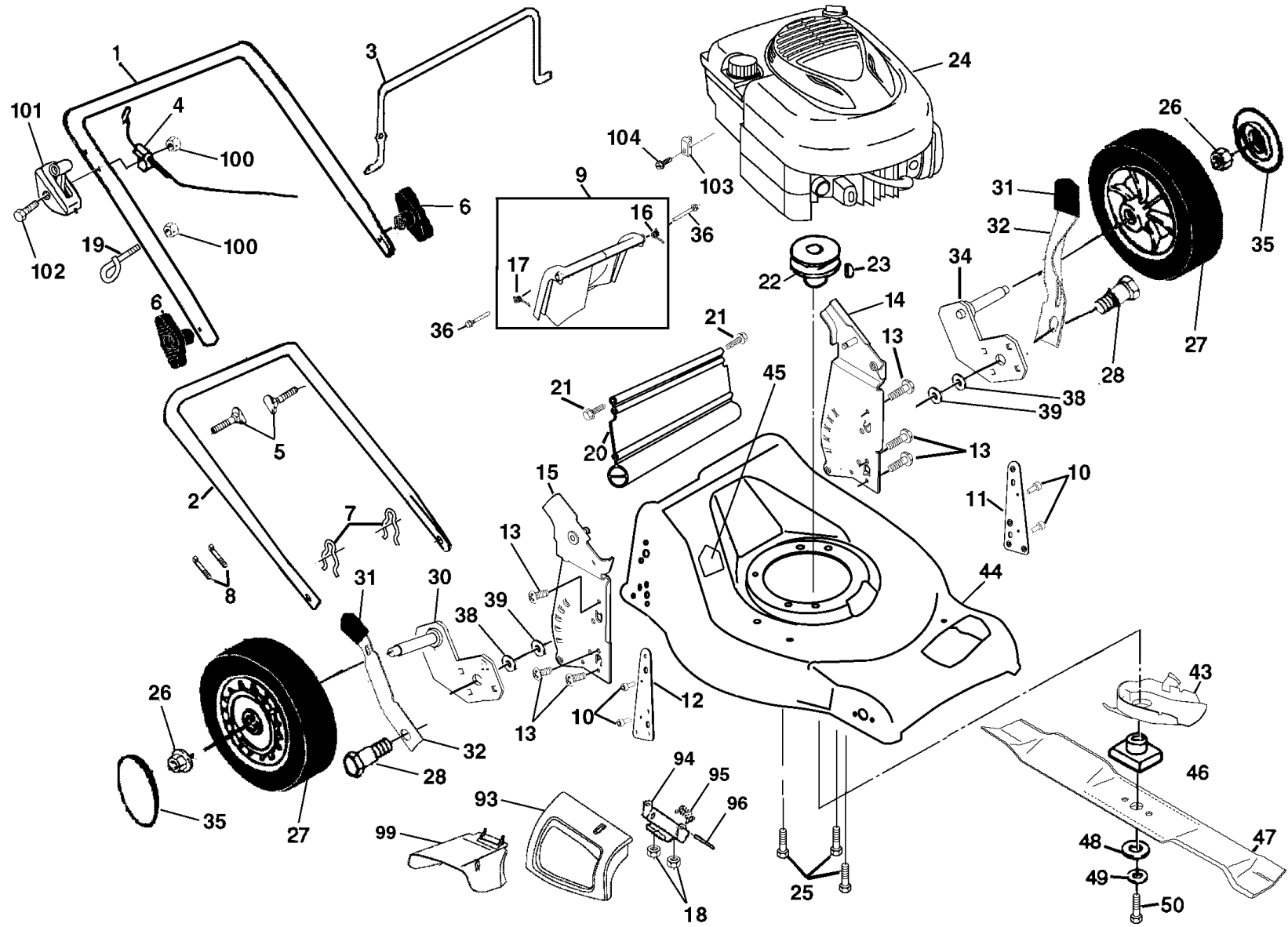


ROTARY LAWN MOWER - - MODEL NUMBER PR65Y21C (PR65Y21CA)



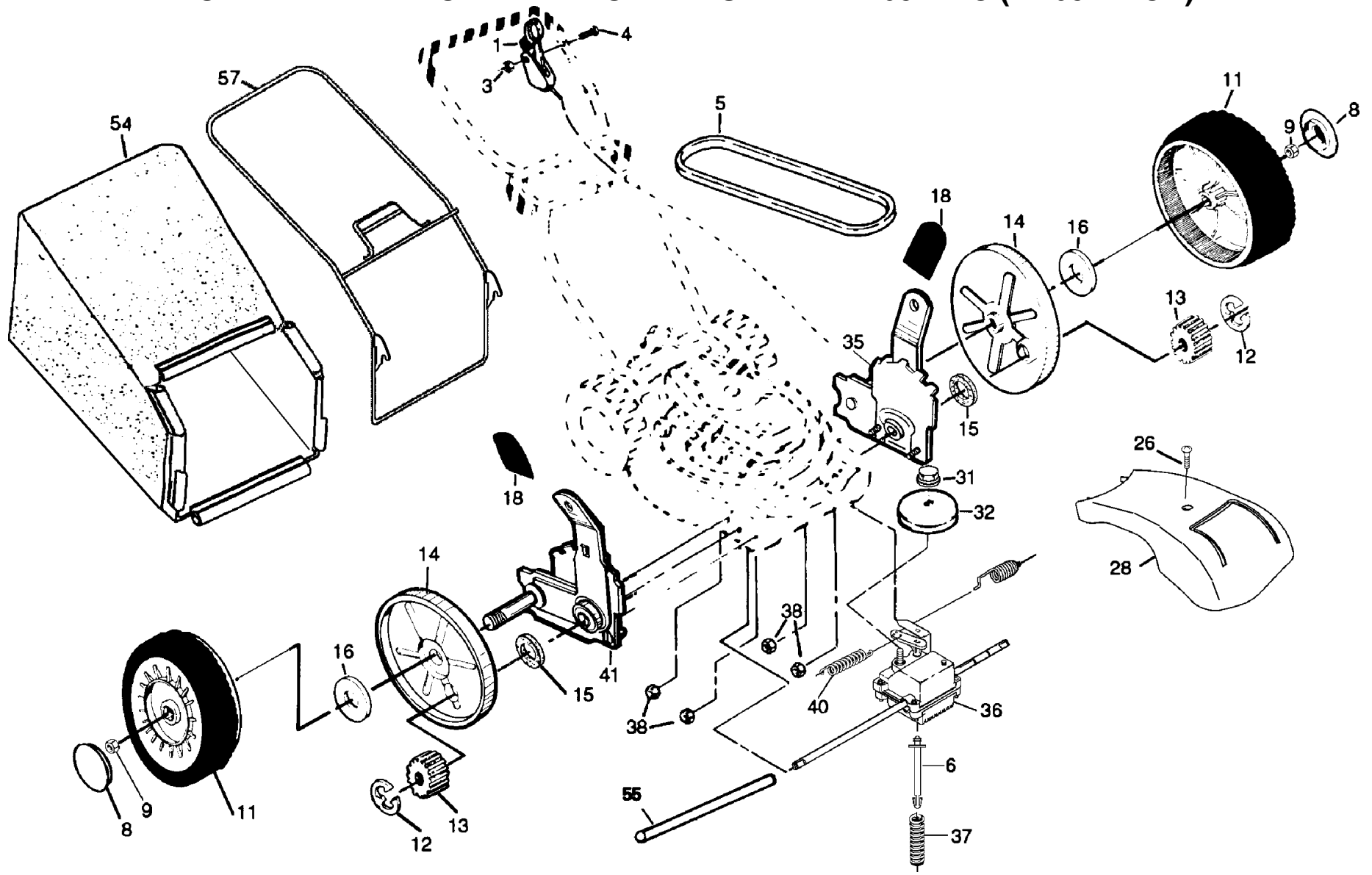
ROTARY LAWN MOWER - - MODEL NUMBER PR65Y21C (PR65Y21CA)

KEY PART NO. NO.	DESCRIPTION	KEY PART NO. NO.	DESCRIPTION		
1	166862X479	Upper Handle	32	175060X004	Selector Spring
2	151721X479	Lower Handle	34	165762X004	Axle Arm Assembly LR
3	170287	Control Bar	35	180660	Hubcap
4	133107	Engine Zone Control Cable	36	165912	Bolt
5	131959	Handle Bolt	38	176185	Washer
6	170146	Handle Knob	39	176235	Push Nut
7	51793	Hairpin Cotter	43	175083	Bottom Belt Cover
8	66426	Wire Tie	44	176710	Lawn Mower Housing
9	180479	Rear Door Kit (Incl. Key #16 & 17)	45	107339X	Danger Decal
10	128415	Pop Rivet	46	851514	Blade Adapter
11	175069X479	Support Bracket LH	47	175064	Blade 21"
12	175070X479	Support Bracket RH	48	851074	Hardened Washer
13	17060410	Screw 14-20 x 5/8	49	850263	Helical Washer 3/8-24 x 1-3/8 Gr. 8
14	175082X479	Handle Bracket Assembly (Left)	50	851084	Hex Head Machine Screw 3/8-24 x 1-3/8 Gr. 8
15	175081X479	Handle Bracket Assembly (Right)	93	175066	Mulcher Door
16	180071	Spring LH	94	175735	Hinge Bracket
17	180072	Spring RH	95	175285	Spring
18	63601	Keps Locknut 1/4-20	96	175650	Rod, Hinge
19	179585	Rope Guide	99	175071	Discharge Deflector
20	178398	Rear Skirt	100	132004	Nut, Hex
21	88652	Hinge Screw 1/4-20 x 1-1/4	101	170294	Throttle Control
22	84596	Engine Pulley	102	144929	Screw
23	87677	Hi-Pro Key #505	103	111190X	Clamp
24	- - -	Engine, Briggs & Stratton, Model No. 123K02 (order parts from engine manufacturer)	104	83816	Screw
25	150406	Hex Head Thread Rolling Srew 3/8-16 x 1-1/8	- -	162300	Warning Decal (Not Shown)
26	83923	Hex Flange Nut	- -	172787	Operator's Manual, English
27	167628	Wheel	- -	172788	Operator's Manual, French
28	175231	Shoulder Bolt	- -	181872	Replacement Parts Manual, English/French
30	165761X004	Axle Arm Assembly RR			
31	170143	Selector Knob			

NOTE: All component dimensions given in U.S. inches.
1 inch = 25.4 mm

ROTARY LAWN MOWER - - MODEL NUMBER PR65Y21C (PR65Y21CA)

4



ROTARY LAWN MOWER - - MODEL NUMBER PR65Y21C (PR65Y21CA)

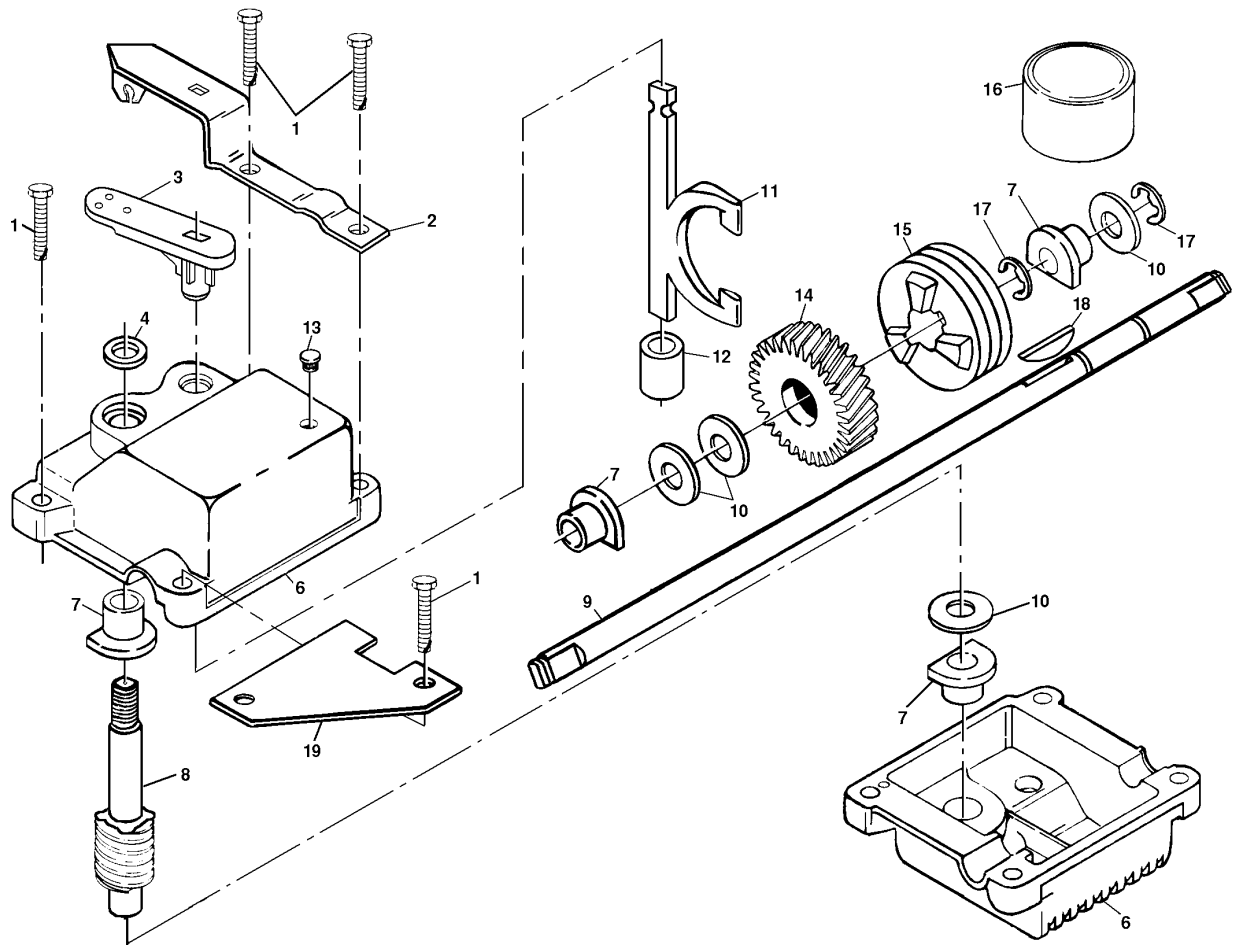
KEY NO.	PART NO.	DESCRIPTION
1	174318	Control Cable Assembly
3	751152	Locknut #10-24
4	158755	Hex Washer Head Screw 1/4-20 x 2.12
5	175436	V-Belt
6	150495	Spring Retainer
8	180660	Hubcap
9	145212	Locknut
11	180767	Wheel & Tire Assembly
12	12000058	E-Ring
13	137054	Pinion
14	180504	Dust Cover
15	88118	Felt Washer
16	67725	Washer 1/2 x 1-1/2 x .134
18	170143	Selector Knob
26	175262	Pan Head Tapping Screw #10-24 x 2-3/4

KEY NO.	PART NO.	DESCRIPTION
28	181466	Dive Cover
31	132010	Hex Flange Nut
32	137052	Drive Pulley
35	172291	Wheel Adjuster Assembly (Left)
36	175258	Gear Case Assembly
37	137090	Spring
38	63601	Locknut 1/4-20
40	75192	Spring
41	172290	Wheel Adjuster Assembly (Right)
54	181370	Grassbag Assembly
55	175739	Driveshaft Cover
57	175058	Frame

NOTE: All component dimensions given in U.S. inches.
1 inch = 25.4 mm

ROTARY LAWN MOWER - - MODEL NUMBER PR65Y21C (PR65Y21CA)

GEARCASE ASSEMBLY - - PART NUMBER 175258



KEY PART NO.	NO.	DESCRIPTION
1	17490416	Tapping Screw 1/4-20 x 1-1/4
2	175248X004	Engagement Bracket
3	137053	Shifter
4	57072	Seal
6	48373	Gear Case Halves Kit (Includes Key Numbers 4 and 7)
7	77881	Bearing
8	137051	Worm Shaft
9	175257	Drive Shaft
10	57079	Hardened Washer
11	131484	Clutch Yoke
12	700343	Bushing
13	86447	Plug
14	137050	Helical Gear
15	750436X	Clutch Jaw
16	750369	Grease
17	12000003	E-Ring
18	850848	Hi-Pro Key
19	81585X004	Spring Bracket
--	176293	Kit, Gearcase (Includes Instructions)

NOTE: All component dimensions given in U.S. inches.
1 inch = 25.4 mm