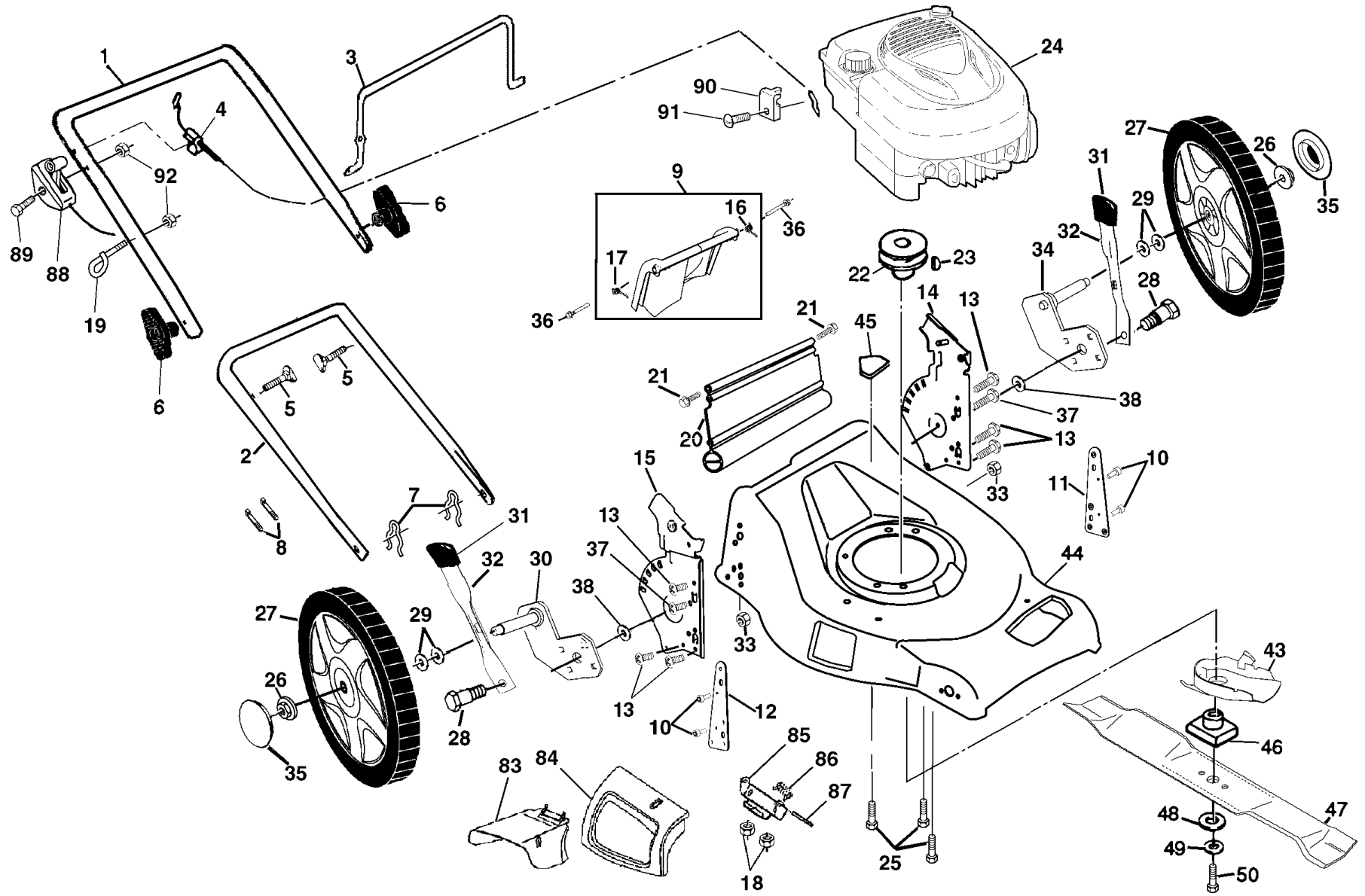


ROTARY LAWN MOWER - - MODEL NUMBER PR675Y21CHA



ROTARY LAWN MOWER - - MODEL NUMBER PR675Y21CHA

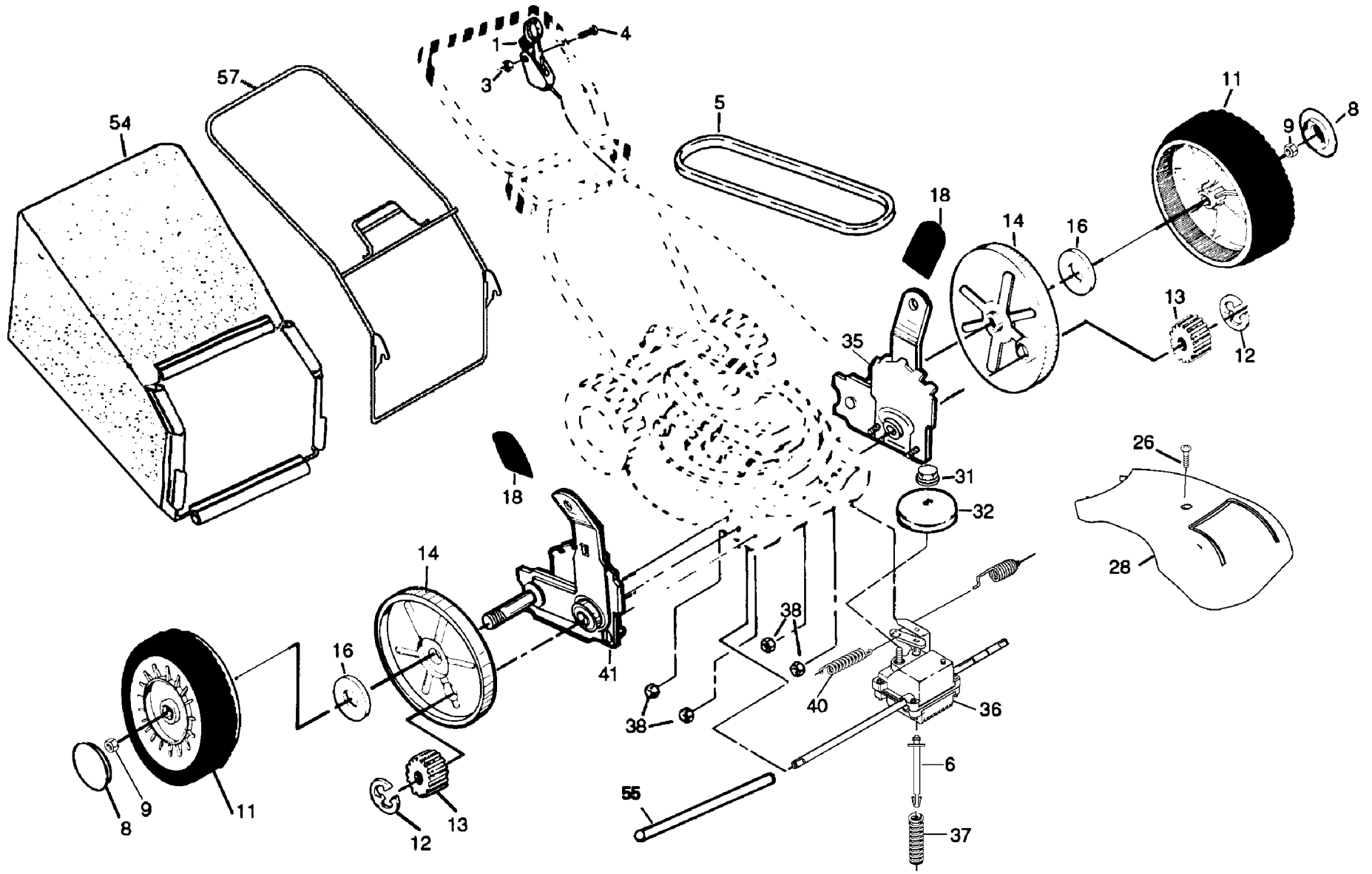
| KEY NO. | PART NO. | DESCRIPTION |
|---------|------------|---|
| 1 | 166862X479 | Upper Handle |
| 2 | 151721X479 | Lower Handle |
| 3 | 170287 | Control Bar |
| 4 | 133107 | Engine Zone Control Cable |
| 5 | 131959 | Handle Bolt |
| 6 | 170146 | Handle Knob |
| 7 | 51793 | Hairpin Cotter |
| 8 | 66426 | Wire Tie |
| 9 | 180479 | Rear Door Kit (Incl. Key #16 & 17) |
| 10 | 128415 | Pop Rivet |
| 11 | 175069X479 | Support Bracket LH |
| 12 | 175070X479 | Support Bracket RH |
| 13 | 17060410 | Screw 14-20 x 5/8 |
| 14 | 175576X479 | Handle Bracket Assembly (Left) |
| 15 | 175577X479 | Handle Bracket Assembly (Right) |
| 16 | 180071 | Spring LH |
| 17 | 180072 | Spring RH |
| 18 | 63601 | Keeps Locknut 1/4-20 |
| 19 | 179585 | Rope Guide |
| 20 | 178398 | Rear Skirt |
| 21 | 88652 | Hinge Screw 1/4-20 x 1-1/4 |
| 22 | 84596 | Engine Pulley |
| 23 | 87677 | Hi-Pro Key #505 |
| 24 | - - - | Engine, Briggs & Stratton, Intek Edge (Order parts from Engine manufacturer) |
| 25 | 150406 | Hex Head Thread Rolling Srew 3/8-16 x 1-1/8 |
| 26 | 83923 | Hex Flange Nut |
| 27 | 180203 | Wheel |
| 28 | 160828 | Shoulder Bolt 5/16-18 x .33 |
| 29 | 57143 | Wave Washer |
| 30 | 180411X004 | Axle Arm Assembly RR |
| 31 | 175478 | Selector Knob |

| KEY NO. | PART NO. | DESCRIPTION |
|---------|------------|--|
| 32 | 175053X004 | Selector Spring |
| 33 | 63124 | Nut 5/16-18 |
| 34 | 180412X004 | Axle Arm Assembly LR |
| 35 | 180624 | Hubcap |
| 36 | 165912 | Bolt |
| 37 | 150078 | Thread Cutting Screw w/Sems 5/16-18 x 3/4 |
| 38 | 19112206 | Washer |
| 43 | 175083 | Bottom Belt Cover |
| 44 | 176710 | Lawn Mower Housing (Incl. Key #10, 11, 12& 45) |
| 45 | 107339X | Danger Decal |
| 46 | 851514 | Blade Adapter |
| 47 | 175064 | Blade 21" |
| 48 | 851074 | Hardened Washer |
| 49 | 850263 | Helical Washer 3/8-24 x 1-3/8 Gr. 8 |
| 50 | 851084 | Hex Head Machine Screw 3/8-24 x 1-3/8 Gr. 8 |
| 83 | 175071 | Clipping Deflector |
| 84 | 175066 | Mulcher Door |
| 85 | 175735 | Hinge Bracket |
| 86 | 175285 | Spring |
| 87 | 175650 | Hinge Rod |
| 88 | 174221 | Throttle Control |
| 89 | 144929 | Screw |
| 90 | 111190X | Cable Clamp |
| 91 | 83816 | Screw |
| 92 | 132004 | Nut, Hex |
| -- | 162300 | Warning Decal (Not Shown) |
| -- | 172787 | Operator's Manual, English |
| -- | 172788 | Operator's Manual, French |
| -- | 181902 | Repair Parts Manual, English/French |

NOTE: All component dimensions given in U.S. inches.
1 inch = 25.4 mm

ROTARY LAWN MOWER - - MODEL NUMBER PR675Y21CHA

4



ROTARY LAWN MOWER - - MODEL NUMBER PR675Y21CHA

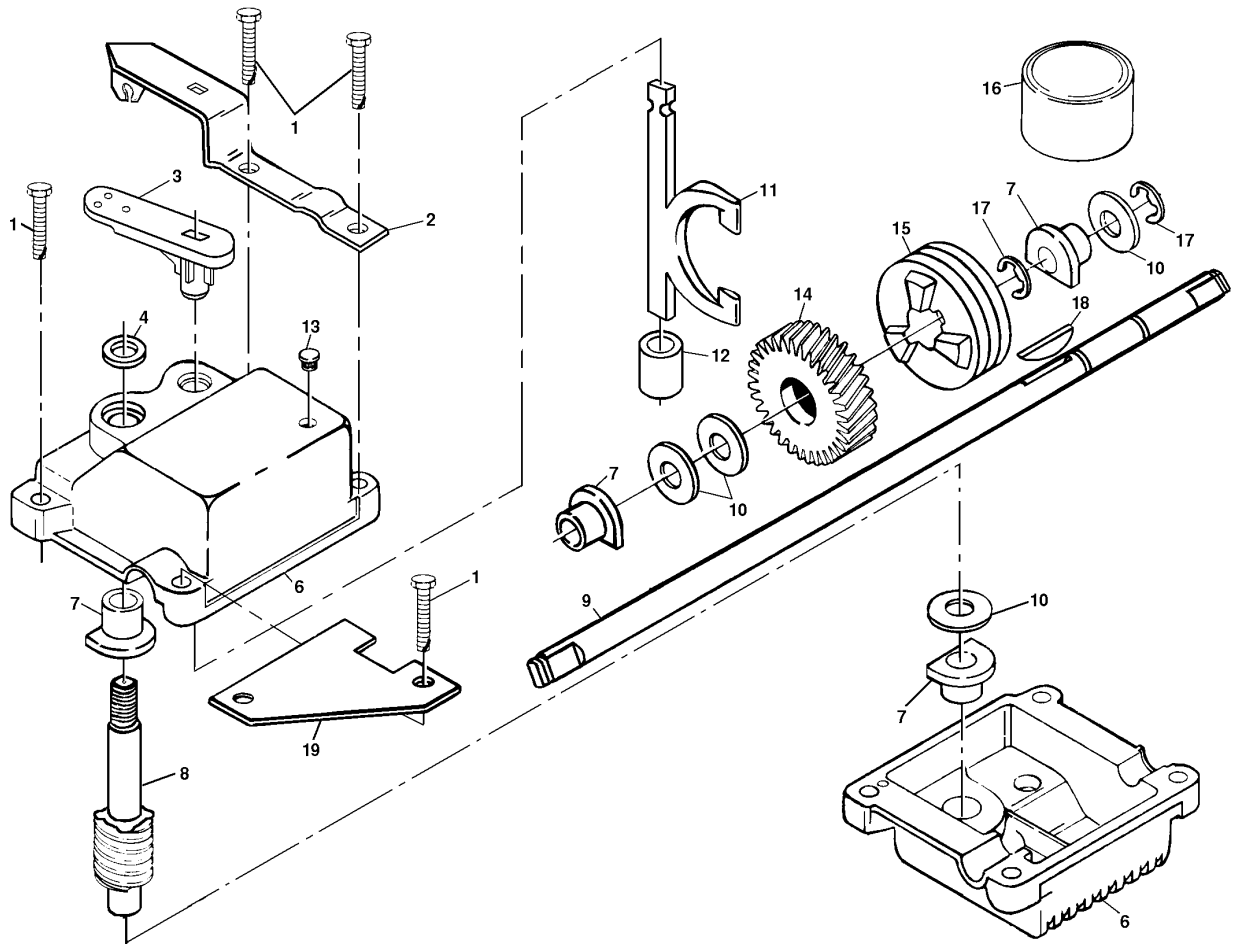
| KEY NO. | PART NO. | DESCRIPTION |
|---------|----------|---------------------------------------|
| 1 | 174318 | Control Cable Assembly |
| 3 | 751152 | Locknut #10-24 |
| 4 | 158755 | Hex Washer Head Screw 1/4-20 x 2.12 |
| 5 | 175436 | V-Belt |
| 6 | 150495 | Spring Retainer |
| 8 | 180660 | Hubcap |
| 9 | 145212 | Locknut |
| 11 | 180767 | Wheel & Tire Assembly |
| 12 | 12000058 | E-Ring |
| 13 | 137054 | Pinion |
| 14 | 180504 | Dust Cover |
| 16 | 67725 | Washer 1/2 x 1-1/2 x .134 |
| 18 | 170143 | Selector Knob |
| 26 | 175262 | Pan Head Tapping Screw #10-24 x 2-3/4 |

| KEY NO. | PART NO. | DESCRIPTION |
|---------|----------|---------------------------------|
| 28 | 180329 | Drive Cover |
| 31 | 132010 | Hex Flange Nut |
| 32 | 137052 | Drive Pulley |
| 35 | 172291 | Wheel Adjuster Assembly (Left) |
| 36 | 175258 | Gear Case Assembly |
| 37 | 137090 | Spring |
| 38 | 63601 | Locknut 1/4-20 |
| 40 | 75192 | Spring |
| 41 | 172290 | Wheel Adjuster Assembly (Right) |
| 54 | 181370 | Grassbag Assembly |
| 55 | 175739 | Driveshaft Cover |
| 57 | 175058 | Frame |

NOTE: All component dimensions given in U.S. inches.
1 inch = 25.4 mm

ROTARY LAWN MOWER - - MODEL NUMBER PR675Y21CHA

GEARCASE ASSEMBLY - PART NUMBER 175258



| KEY PART NO. | NO. | DESCRIPTION |
|--------------|------------|--|
| 1 | 17490416 | Tapping Screw 1/4-20 x 1-1/4 |
| 2 | 175248X004 | Engagement Bracket |
| 3 | 137053 | Shifter |
| 4 | 57072 | Seal |
| 6 | 48373 | Gear Case Halves Kit (Includes Key Numbers 4 and 7) |
| 7 | 77881 | Bearing |
| 8 | 137051 | Worm Shaft |
| 9 | 175257 | Drive Shaft |
| 10 | 57079 | Hardened Washer |
| 11 | 131484 | Clutch Yoke |
| 12 | 700343 | Bushing |
| 13 | 86447 | Plug |
| 14 | 137050 | Helical Gear |
| 15 | 750436X | Clutch Jaw |
| 16 | 750369 | Grease |
| 17 | 12000003 | E-Ring |
| 18 | 850848 | Hi-Pro Key |
| 19 | 81585X004 | Spring Bracket |

NOTE: All component dimensions given in U.S. inches.
1 inch = 25.4 mm