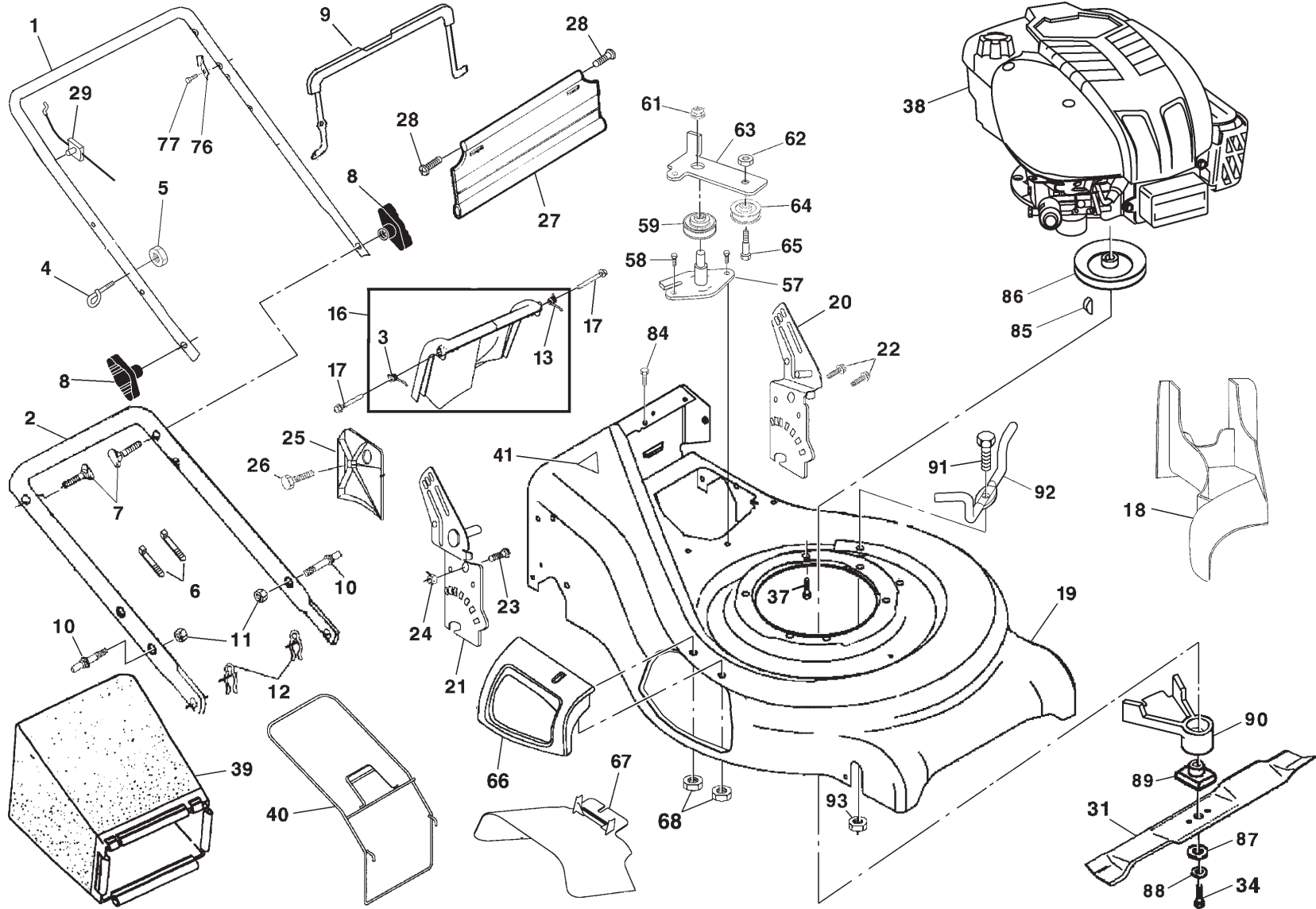


# ROTARY LAWN MOWER - - MODEL NUMBER PR7R21 (PR7R21A)



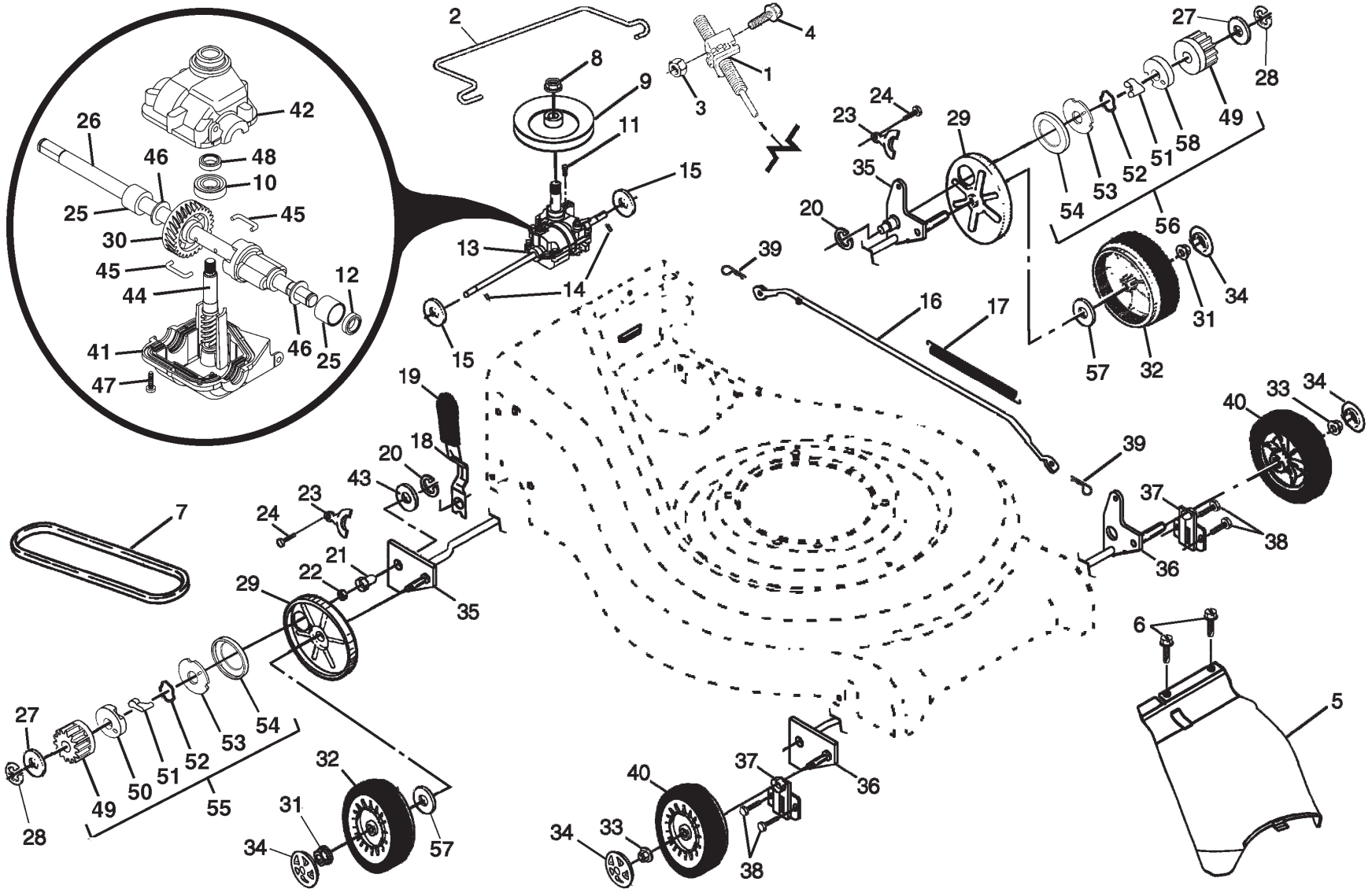
## ROTARY LAWN MOWER - - MODEL NUMBER PR7R21 (PR7R21A)

KEY NO.	PART NO.	DESCRIPTION
1	189663X479	Handle, Upper
2	161105X479	Handle, Lower
3	186053	Spring, Rear Door, RH
4	179585	Guide, Rope, Side
5	132004	Nut, Hex, with Lockwasher Insert 1/4-20
6	66426	Wire, Tie
7	131959	Bolt, Handle 5/16-18 x 2-5/8
8	136376	Knob, Handle
9	182810	Control Bar
10	188821	Bolt, Carriage
11	73930500	Nut, Hex, with Lockwasher Insert 5/16-18 UNC
12	51793	Cotter, Hairpin
13	186052	Spring, Rear Door, LH
16	185855X428	Kit, Rear Door (Includes Springs)
17	184193	Bolt, Rear Door
18	187535	Plug, Mulcher
19	181763	Kit, Housing
20	187249X479	Handle Bracket Assembly, Left
21	187250X479	Handle Bracket Assembly, Right
22	150078	Screw, Hex Washer Head
23	163183	Bolt, Hex Head 5/16-18 x 5/8
24	73800500	Nut, Hex, with Lockwasher Insert 5/16-18
25	161333	Baffle, Side
26	163409	Screw #12 x 5/8
27	188986	Skirt, Rear
28	88652	Screw, Hinge 1/4-20 x 1.25
29	183567	Cable, Engine Zone Control
31	189028	Blade, 21"
34	851084	Bolt, Hex Head
37	150406	Bolt, Engine
38	---	Engine, Briggs & Stratton, Model Number 12H602 (For engine service and replacement parts, call Briggs & Stratton at 1-800-233-3723)

KEY NO.	PART NO.	DESCRIPTION
39	189004	Grass Bag
40	188817	Frame, Grass Bag
41	107339X	Danger Decal
57	179783X004	Bracket Assembly
58	57808	Screw
59	184543	V-Groove Pulley
61	145212	Nut, Hex, Flanged
62	155552	Locknut
63	179719X004	Idler Arm
64	166043	Idler Pulley
65	160829	Shoulder Bolt
66	183058X428	Rear Door Assembly
67	169699X428	Mulcher Door, Multi-Cut
68	88349	Nut, Hex
76	850733X004	Bracket, Upstop
77	750634	Screw
84	54583	Screw
85	187723	Key, Hi-Pro
86	184941	Pulley
87	851074	Washer
88	850263	Washer, Lock
89	184590	Blade Adapter
90	189185	Debris Shield
91	182227	Bolt
92	188244	Belt Keeper
93	182228	Nut, Hex
--	162300	Warning Decal (Not Shown)
--	172787	Operator's Manual, English
--	172788	Operator's Manual, French
--	189745	Repair Parts Manual, English / French

**NOTE:** All component dimensions given in U.S. inches.  
1 inch = 25.4 mm

# ROTARY LAWN MOWER - - MODEL NUMBER PR7R21 (PR7R21A)



## ROTARY LAWN MOWER - - MODEL NUMBER PR7R21 (PR7R21A)

KEY NO.	PART NO.	DESCRIPTION	KEY NO.	PART NO.	DESCRIPTION
1	189181	Drive Control Assembly	33	83923	Nut, Flangelock 3/8-16
2	188975	Control Bar, Drive	34	77400	Hubcap, Mag, Platinum
3	751152	Nut, Hex	35	160785X004	Shaft Assembly, Rear
4	185681	Screw	36	160786X004	Shaft Assembly, Front
5	161537X428	Cover Drive	37	161463	Retainer, Front Shaft
6	750634	Screw, Threaded, Rolled #10-25 x .50	38	163409	Screw #12 x 5/8
7	182212	V-Belt	39	700279	Clip, Retainer
8	132010	Nut, Flangelock, Zinc Plated 3/8-16	40	172297	Wheel 8 x 2
9	184749	Pulley, Drive	41	187530	* Case, Lower
10	183506	Bearing, Ball	42	187531	* Case, Upper
11	187653	Screw	43	19572216	Washer
12	183508	Seal, Output Shaft	44	187533	Shaft, Input
13	187213	Gear Case Assembly, Complete	45	183505	Wire, Formed
14	145354	Pin, Spring, Thrust	46	183509	Washer
15	57079	Washer, Hardened	47	183513	Screw
16	161584	Rod, Connecting	48	183514	Seal, Input Shaft
17	161602	Spring, Extension	49	175103	Pinion, Gear
18	160477X004	Spring, Selector	50	175102	Retainer, Drive, RH
19	189808X421	Knob, Selector Spring	51	175098	Pawl
20	12000022	E-Ring 7/8	52	188291	Spring, Torsion
21	163365	Bearing, Support	53	175104	Disc, Drive
22	169911	Bearing, Ball	54	175101	Seal, Friction
23	161118X004	Retainer, Drive Assembly	55	188293	Pinion/Pawl Assembly, RH
24	57808	Screw, Tapping, Hex Head 1/4-20 x .75	56	188292	Pinion/Pawl Assembly, LH
25	183511	Bushing	57	67725	Washer
26	187534	Shaft, Output	58	175105	Retainer, Drive, LH
27	52160	Washer, Shim (as required)	62	187653	Screw
28	12000058	E-Ring 7/16			
29	180504	Cover, Dust, Wheel			
30	187532	Gear, 24 Teeth			
31	145212	Nut, Flangelock			
32	190846	Wheel 9 x 2			

\* Use Dow Corning #709 to reseal Gear Case Halves.

**NOTE:** All component dimensions given in U.S. inches.  
1 inch = 25.4 mm