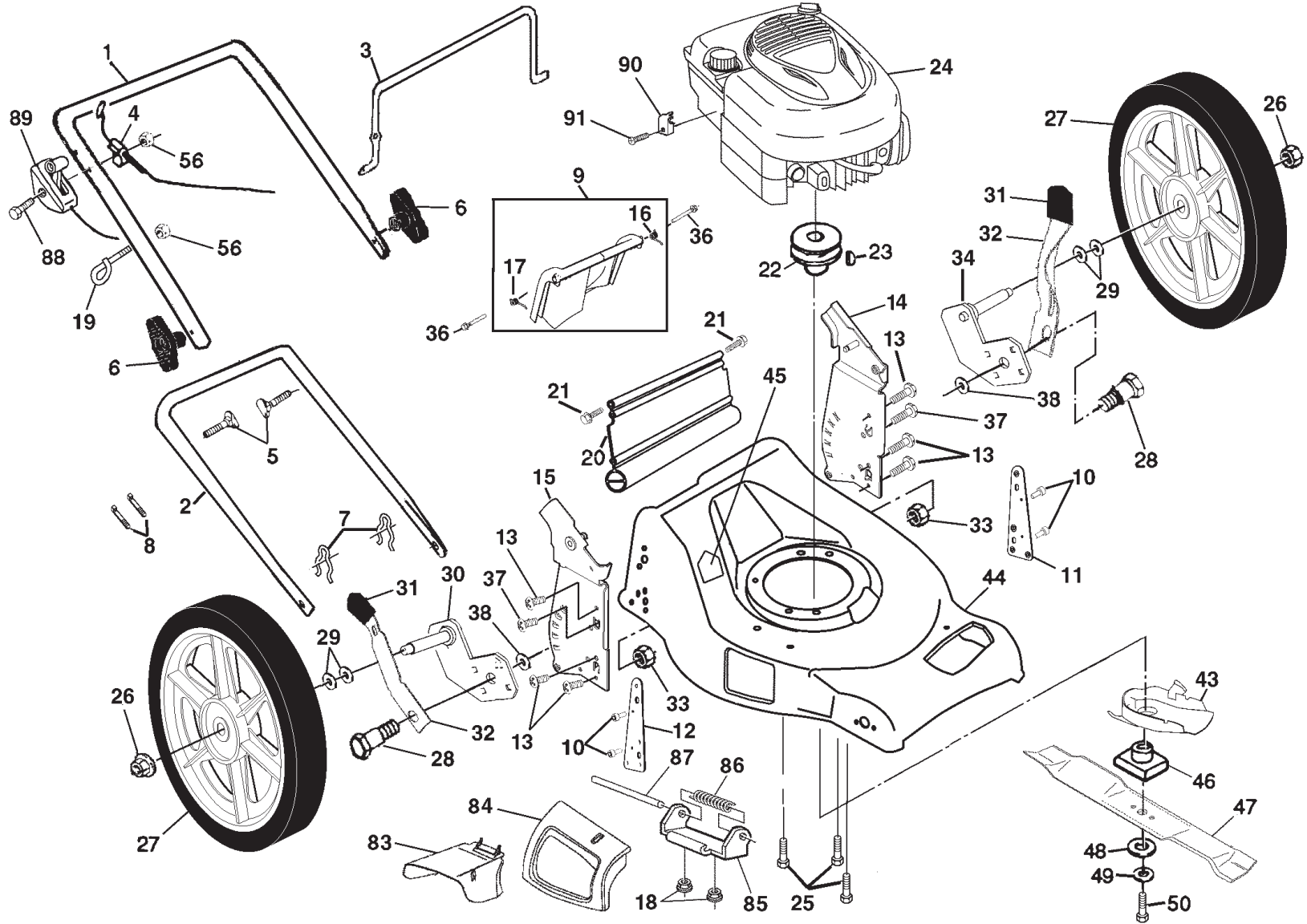


# ROTARY LAWN MOWER - - MODEL NUMBER WA6Y21CHA

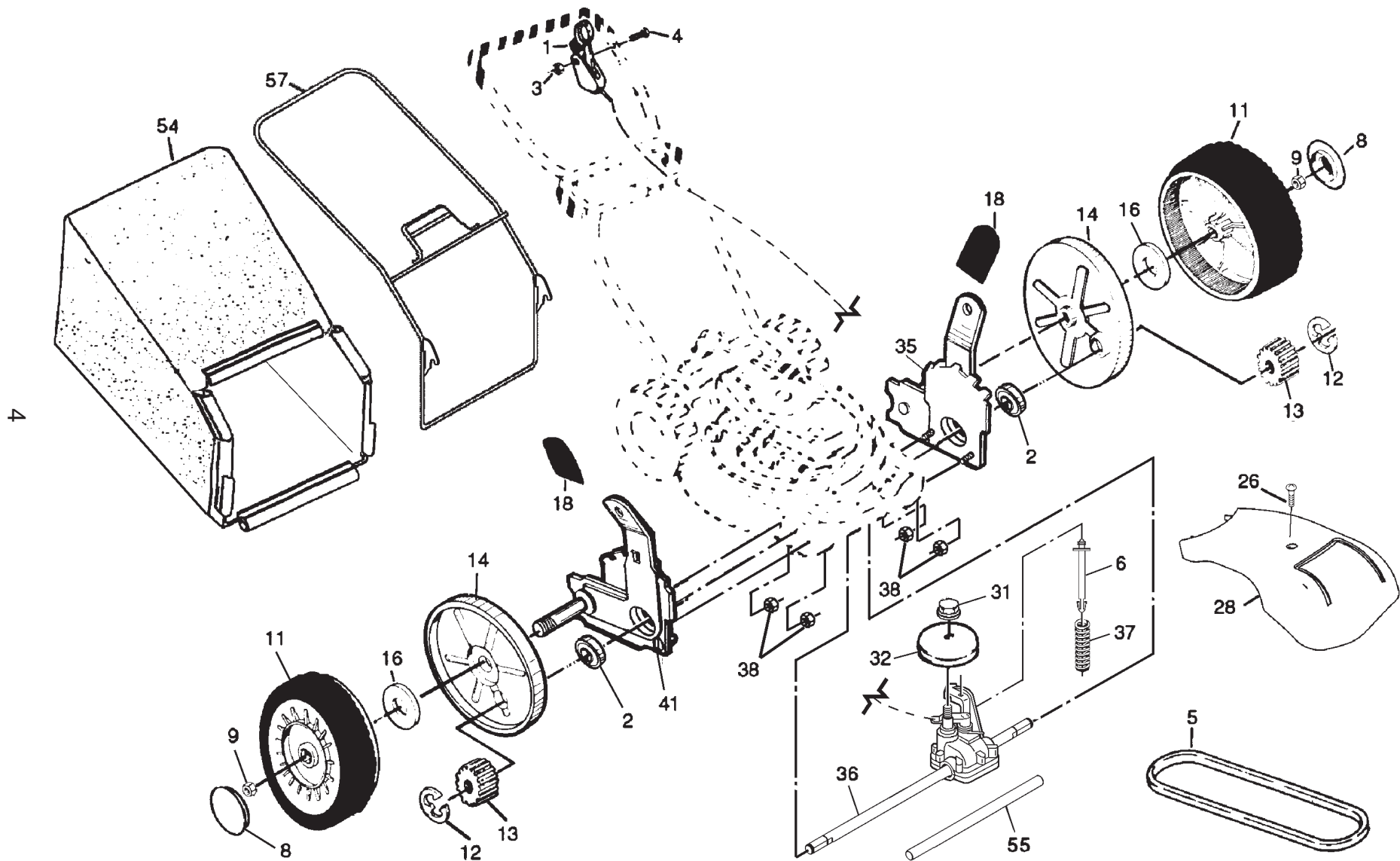


## ROTARY LAWN MOWER - - MODEL NUMBER WA6Y21CHA

	KEY NO.	PART NO.	DESCRIPTION	KEY NO.	PART NO.	DESCRIPTION
	1	166860X479	Upper Handle	31	175477	Selector Knob
	2	151721X479	Lower Handle	32	175053X004	Selector Spring
	3	146771	Control Bar	33	63124	Nut, Hex
	4	133107	Engine Zone Control Cable	34	180412X004	Axle Arm Assembly LR
	5	131959	Handle Bolt	36	184193	Bolt
	6	136376	Handle Knob	37	150078	Screw, Thread Cutting, Sems 5/16-18 x 3/4
	7	51793	Hairpin Cotter	38	183901	Washer
	8	66426	Wire Tie	43	175083	Bottom Belt Cover
	9	180479	Rear Door Kit (Incl. Key #16 & 17)	44	186729	Lawn Mower Housing (Includes Key #10, 11, 12 & 45)
	10	128415	Pop Rivet	45	141846	Danger Decal
	11	175069X479	Support Bracket LH	46	851514	Blade Adapter
	12	175070X479	Support Bracket RH	47	175064	Blade 21"
	13	17060410	Screw 14-20 x 5/8	48	851074	Hardened Washer
	14	175576X479	Handle Bracket Assembly (Left)	49	850263	Helical Washer 3/8-24 x 1-3/8 Gr. 8
3	15	175577X479	Handle Bracket Assembly (Right)	50	851084	Hex Head Machine Screw 3/8-24 x 1-3/8 Gr. 8
	16	180071	Spring LH	56	132004	Nut, Hex
	17	180072	Spring RH	83	175071	Discharge Deflector
	18	63601	Keps Locknut 1/4-20	84	175066	Mulcher Door
	19	179585	Rope Guide	85	175735	Hinge Bracket
	20	178398	Rear Skirt	86	175285	Spring
	21	88652	Hinge Screw 1/4-20 x 1-1/4	87	175650	Rod, Hinge
	22	84596	Engine Pulley	88	700417	Throttle Control
	23	87677	Hi-Pro Key #505	89	144929	Screw
	24	- - -	Engine, Briggs & Stratton, Model No. 12H802 (order parts from engine manufacturer)	90	111190X	Clamp, Cable
	25	150406	Hex Head Thread Rolling Srew 3/8-16 x 1-1/8	91	83816	Screw
	26	83923	Hex Flange Nut	--	161058	Warning Decal (Not Shown)
	27	180208	Wheel	--	172787	Operator's Manual, English
	28	160828	Shoulder Bolt 5/16-18 x .33	--	172789	Operator's Manual, Spanish
	29	57143	Washer, Wave	--	186728	Repair Parts Manual, English
	30	180411X004	Axle Arm Assembly RR			

**NOTE:** All component dimensions given in U.S. inches.  
1 inch = 25.4 mm

# ROTARY LAWN MOWER - - MODEL NUMBER WA6Y21CHA



## ROTARY LAWN MOWER - - MODEL NUMBER WA6Y21CHA

5

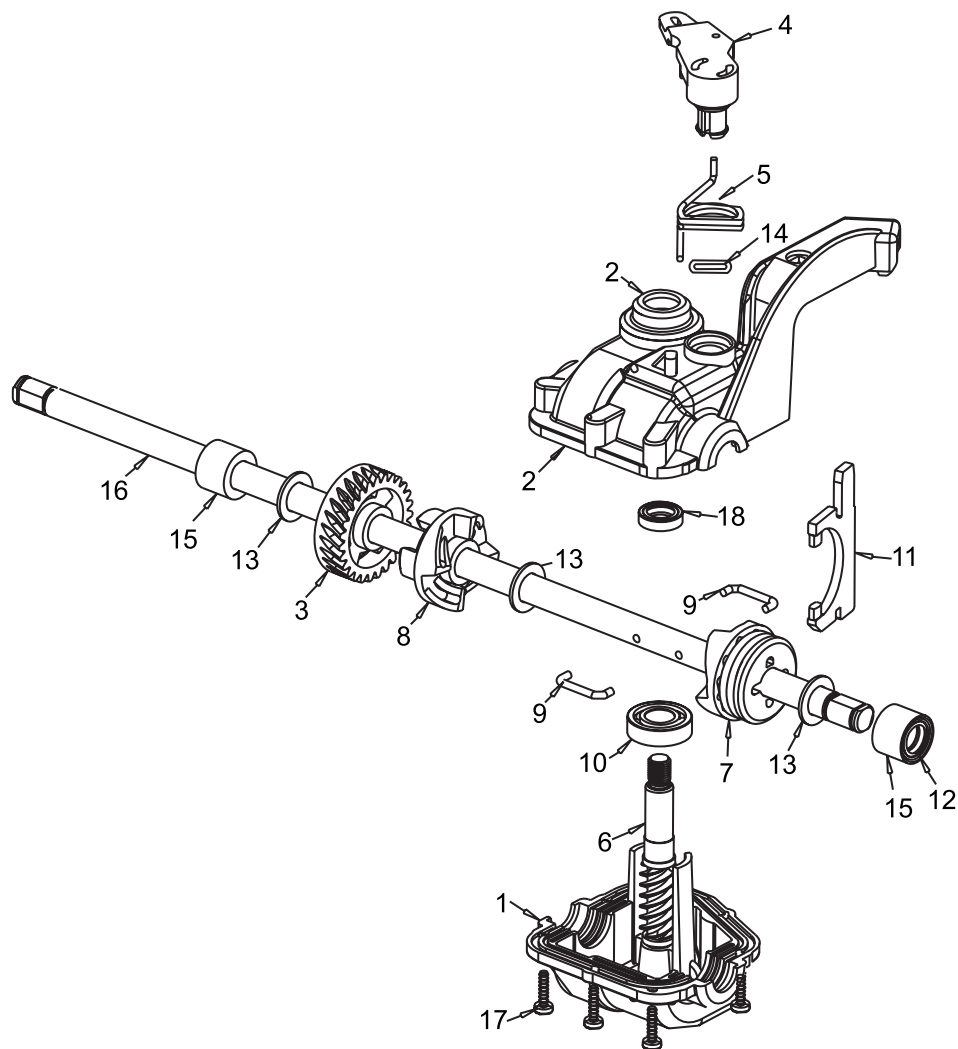
KEY NO.	PART NO.	DESCRIPTION
1	184588	Control Cable Assembly
2	167387	Bearing, Wheel Adjuster
3	751152	Locknut #10-24
4	158755	Hex Washer Head Screw 1/4-20 x 2.12
5	175436	V-Belt
6	150495	Spring Retainer
8	77400	Hubcap
9	145212	Locknut
11	180780	Wheel & Tire Assembly
12	12000058	E-Ring
13	137054	Pinion
14	180504	Dust Cover
16	67725	Washer 1/2 x 1-1/2 x .134
18	87877	Selector Knob
26	175262	Pan Head Tapping Screw #10-24 x 2-3/4
28	181468	Dive Cover

KEY NO.	PART NO.	DESCRIPTION
31	132010	Hex Flange Nut
32	137052	Drive Pulley
35	151513	Kit, Wheel Adjuster, LH (Includes Knob and Bearing)
36	180184	Gear Case Assembly (See Breakdown)
37	137090	Spring
38	63601	Locknut 1/4-20
41	151514	Kit, Wheel Adjuster, RH (Includes Knob and Bearing)
54	186730	Grassbag Assembly
55	175739	Driveshaft Cover
57	183993	Frame

**NOTE:** All component dimensions given in U.S. inches.  
1 inch = 25.4 mm

# ROTARY LAWN MOWER - - MODEL NUMBER WA6Y21CHA

## GEAR CASE ASSEMBLY - - PART NUMBER 180184



KEY NO.	PART NO.	DESCRIPTION
1	183497	Case, Lower
2	183498	Case, Upper
3	183499	Gear, 27 Teeth
4	183500	Lever, Clutch
5	183501	Spring, Return
6	183502	Shaft, Input
7	183503	Dog, Movable
8	183504	Dog, Fixed
9	183505	Wire, Formed
10	183506	Bearing, Ball
11	183507	Fork, Shift
12	183508	Seal, Output Shaft
13	183509	Washer
14	183510	Seal, Case
15	183511	Bushing
16	183512	Shaft, Output
17	183513	Screw
18	183514	Seal, Input Shaft
--	183404	Kit, Gearcase Replacement (Includes Instructions)

**NOTE:** Use Dow Corning #709 to reseal Gear Case Halves.

**NOTE:** All component dimensions given in U.S. inches.  
1 inch = 25.4 mm