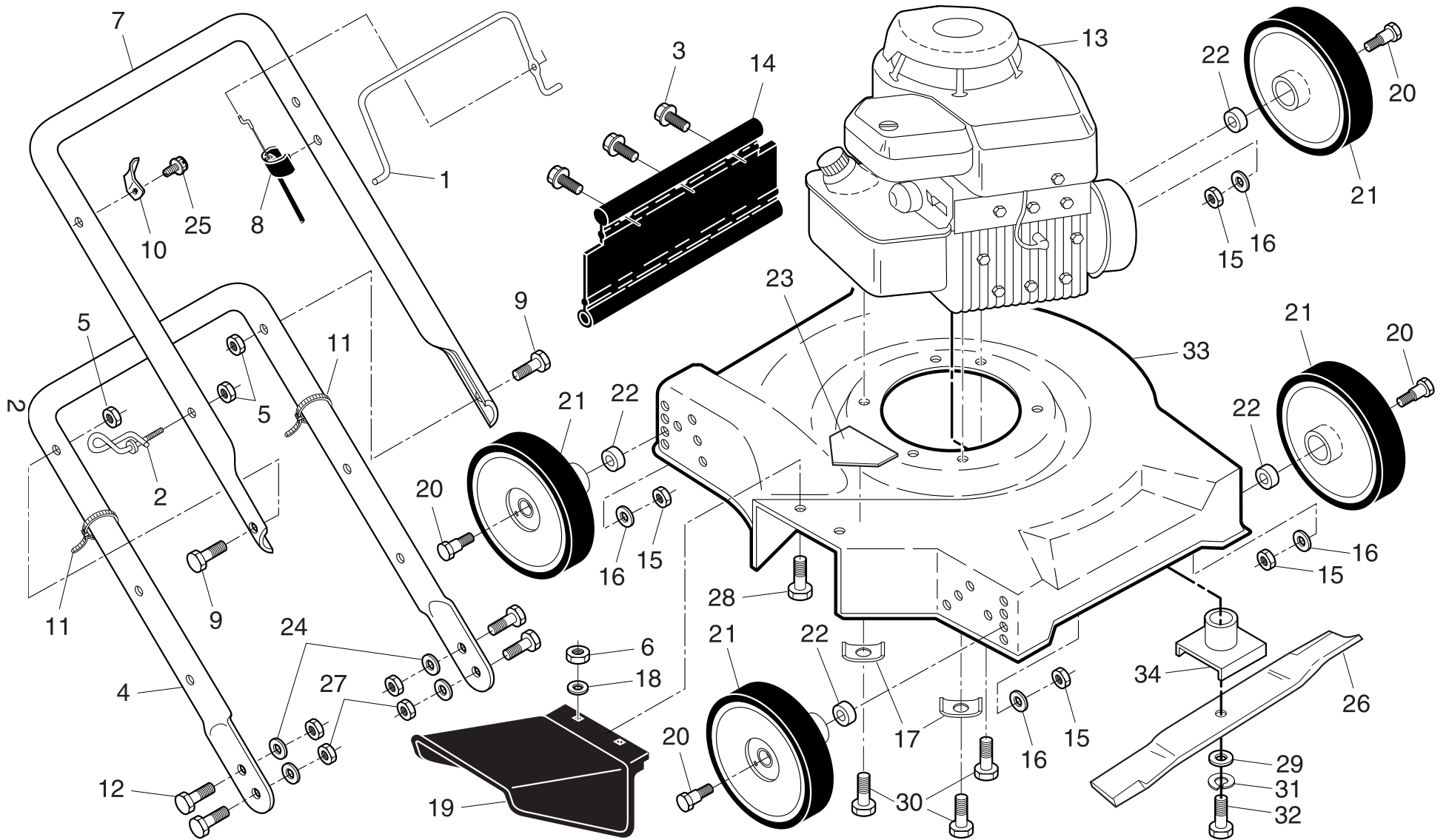


# ROTARY LAWN MOWER - - MODEL NUMBER RA35N20S (MFG. ID. NUMBER 96112002200)



## ROTARY LAWN MOWER - - MODEL NUMBER **RA35N20S** (MFG. ID. NUMBER 96112002200)

3

KEY NO.	PART NO.	DESCRIPTION	KEY NO.	PART NO.	DESCRIPTION
1	194177X428	Control Bar	18	53847	Flat Washer
2	194788	Rope Guide	19	752052	Discharge Guard
3	189241	Hex Washer Head Self-Tapping Screw	20	67609	Bolt, Shoulder 3/8-16 x 2-1/2
4	172146X479	Lower Handle	21	193850X427	Wheel & Tire Assembly
5	132004	Nut, Hex 1/4-20	22	136624	Spacer
6	73800400	Locknut, Hex 1/4-20	23	107339X	Danger Decal
7	194217X479	Upper Handle	24	55611	Washer, Flat 3/8
8	162788	Engine Zone Control Cable	25	750634	Screw, Threaded, Rolled #10-24 x 1/2
9	74350424	Bolt, Hex Head 1/4-20 x 1-1/2	26	145106	Blade, 20"
10	86899X004	Up-Stop Bracket	27	132010	Nut, Hex, Flangelock 3/8-16
11	66426	Wire Tie	28	74760412	Bolt, Hex Head 1/4-20 x 3/4
12	137009	Bolt, Hex Head 3/8-16 x 1	29	851074	Washer, Hardened
13	- - -	Engine, Briggs & Stratton, Model Number 9J902 (For engine service and replacement parts, call Briggs & Stratton at 1-800-233-3723)	30	150406	Screw, Hex Head, Threaded, Rolled 3/8-16 x 1
14	189239	Rear Deflector	31	850263	Helical Lock Washer
15	751592	Locknut, Hex 5/8-16	32	851084	Screw, Machine, Hex Head, Grade 8, 3/8-24 x 1-3/8
16	61537	Washer, Flat 25/64 x 1/4 x 29/32	33	189654	Housing Assembly
17	851201X004	Engine Washer	34	850977	Blade Adapter
			- -	162300	Decal, Warning (not shown)
			- -	193747	Operator's Manual, English
			- -	193749	Operator's Manual, French
			- -	402253	Repair Parts Manual, English / French

**NOTE:** All component dimensions given in U.S. inches. 1 inch = 25.4 mm.

**IMPORTANT:** Use only Original Equipment Manufacturer (O.E.M.) replacement parts. Failure to do so could be hazardous, damage your lawn mower and void your warranty.