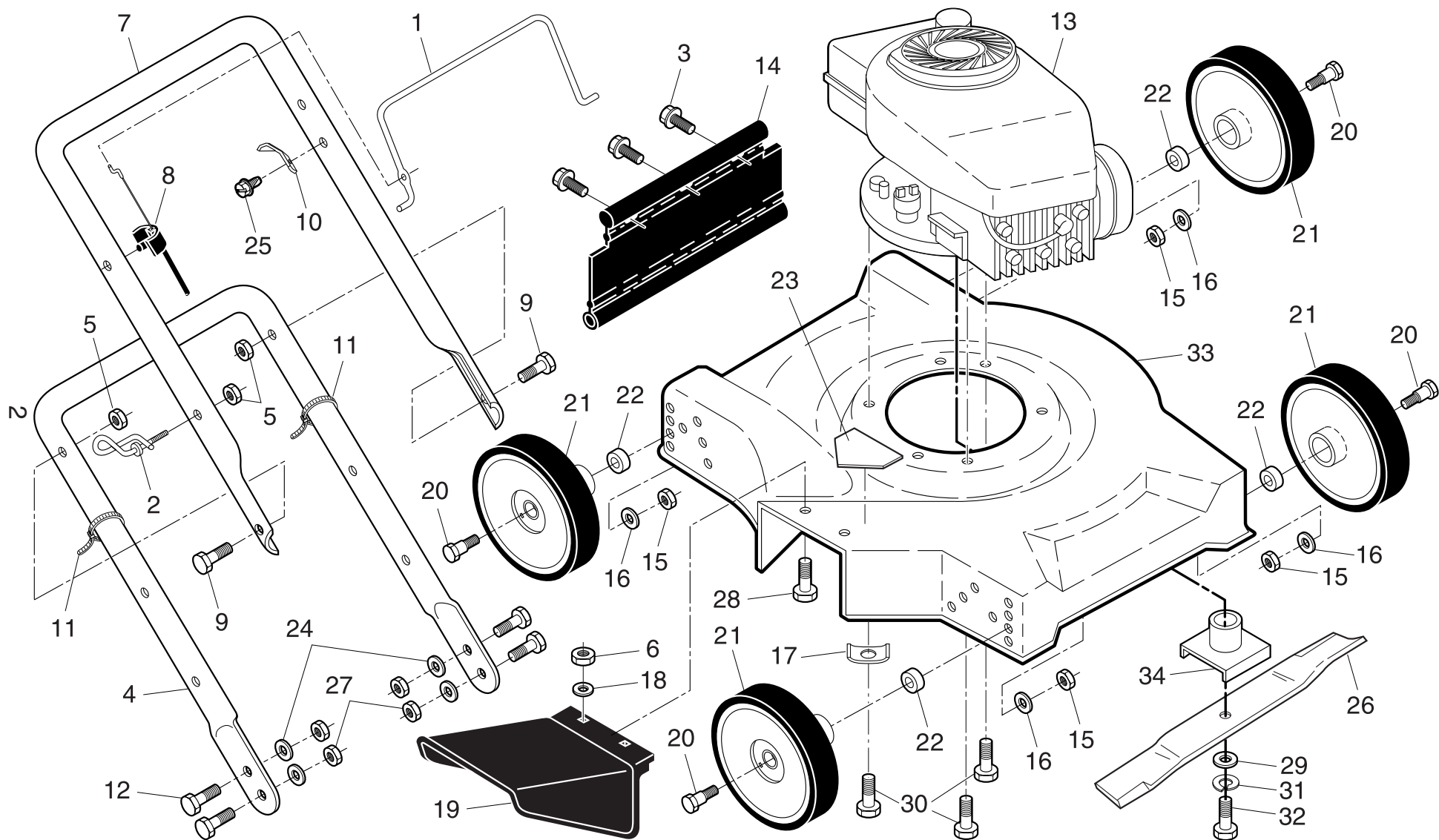


ROTARY LAWN MOWER - - MODEL NUMBER SA4N20S (96112003200)



ROTARY LAWN MOWER - - MODEL NUMBER SA4N20S (96112003200)

KEY NO.	PART NO.	DESCRIPTION	KEY NO.	PART NO.	DESCRIPTION
	1 194177X428	Control Bar	19	752052	Discharge Guard
	2 194788	Rope Guide	20	67609	Bolt, Shoulder 3/8-16 x 2-1/2
	3 189241	Hex Washer Head Self-Tapping Screw	21	193850X427	Wheel & Tire Assembly
	4 172146X479	Lower Handle	22	136624	Spacer
	5 132004	Nut, Hex 1/4-20	23	141846	Danger Decal
	6 73800400	Locknut, Hex 1/4-20	24	55611	Washer, Flat 3/8
	7 194217X479	Upper Handle	25	750634	Screw, Threaded, Rolled #10-24 x 1/2
	8 164322	Cable, Engine Zone Control	26	145106	Blade 20"
	9 74350424	Bolt, Hex Head 1/4-20 x 1-1/2	27	132010	Locknut, Hex, Flanged 3/8-16
ω	10 850733X004	Up-Stop Bracket	28	74760412	Bolt, Hex Head 1/4-20 x 3/4
	11 66426	Wire Tie	29	851074	Washer, Hardened
	12 137009	Bolt, Hex Head 3/8-16 x 1	30	150406	Screw, Hex Head, Threaded, Rolled 3/8-16 x 1
	13 - - -	Engine, Tecumseh, Model Number LV148EA (Order replacement parts from engine manufacturer)	31	850263	Helical Lock Washer
	14 189239	Rear Skirt	32	851084	Screw, Machine, Hex Head, Grade 8, 3/8-24 x 1-3/8
	15 751592	Locknut, Hex 5/8- 16	33	402722	Housing Assembly
	16 61537	Washer, Flat 25/64 x 1/4 x 29/32	34	850977	Blade Adapter
	17 851201X004	Washer, Engine	--	161058	Decal, Warning (not shown)
	18 53847	Washer, Flat 1/4	--	193747	Operator's Manual, English
			--	193750	Operator's Manual, Spanish
			--	402643	Repair Parts Manual

NOTE: All component dimensions given in U.S. inches. 1 inch = 25.4 mm.

IMPORTANT: Use only Original Equipment Manufacturer (O.E.M.) replacement parts. Failure to do so could be hazardous, damage your lawn mower and void your warranty.