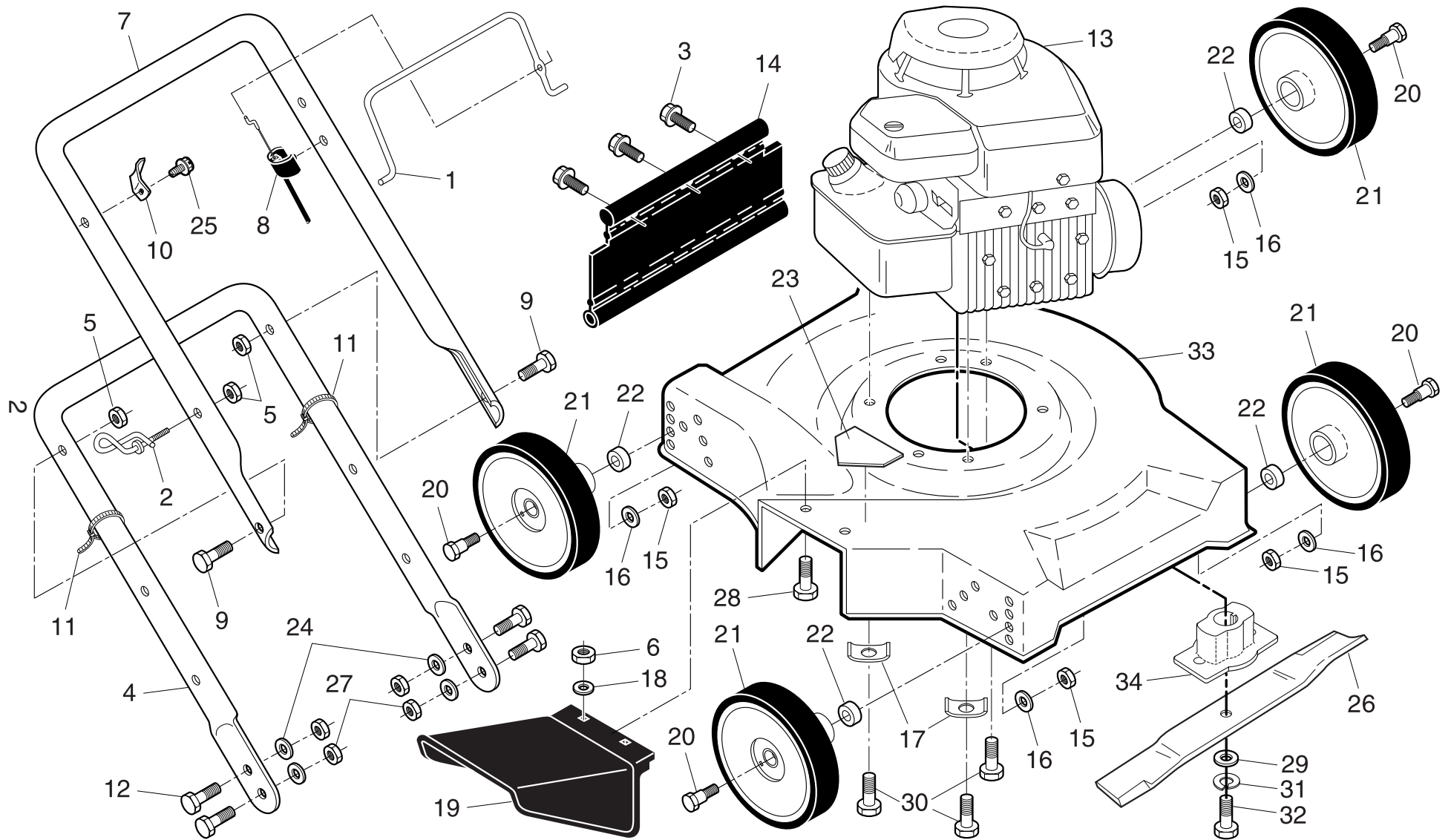


ROTARY LAWN MOWER - - MODEL NUMBER PO35N20S (MFG. ID. NUMBER 96112003900)



ROTARY LAWN MOWER - - MODEL NUMBER **PO35N20S** (MFG. ID. NUMBER 96112003900)

KEY NO.	PART NO.	DESCRIPTION	KEY NO.	PART NO.	DESCRIPTION
1	194177X428	Control Bar	19	752052	Discharge Guard
2	194788	Rope Guide	20	67609	Bolt, Shoulder 3/8-16 x 2-1/2
3	189241	Screw, Hex Washer Head, Self-Tapping #10-24 x 1/2	21	193850X427	Wheel & Tire Assembly
4	172146X479	Lower Handle	22	136624	Spacer
5	132004	Nut, Hex 1/4-20	23	107339X	Danger Decal
6	73800400	Locknut, Hex 1/4-20	24	55611	Washer
7	194217X479	Upper Handle	25	750634	Screw, Threaded, Rolled #10-24 x 1/2
8	162778	Cable, Engine Zone Control	26	145106	Blade, 20"
9	74350424	Bolt, Hex Head 1/4-20 x 1-1/2	27	132010	Nut, Hex, Flangelock 3/8-16
10	86899X004	Up-Stop Bracket	28	74760412	Bolt, Hex Head 1/4-20 x 3/4
11	66426	Wire Tie	29	851074	Washer, Hardened
12	137009	Bolt, Hex Head 3/8-16 x 1	30	150406	Screw, Hex Head, Threaded, Rolled 3/8-16 x 1
13	- - -	Engine, Briggs & Stratton, Model Number 9J902 (For engine service and replacement parts, call Briggs & Stratton at 1-800-233-3723)	31	850263	Helical Lock Washer
14	189239	Rear Skirt	32	851084	Screw, Hex Head, Machine, Grade 8, 3/8-24 x 1-3/8
15	751592	Nut, Hex, Nylock 3/8-16	33	190493	Housing Kit
16	61537	Washer	34	850977	Blade Adapter
17	851201X004	Engine Washer	--	162300	Decal, Warning
18	53847	Washer, Flat	--	193747	Operator's Manual, English
			--	193749	Operator's Manual, French
			--	403622	Repair Parts Manual, English / French

NOTE: All component dimensions given in U.S. inches. 1 inch = 25.4 mm. **IMPORTANT:** Use only Original Equipment Manufacturer (O.E.M.) replacement parts. Failure to do so could be hazardous, damage your lawn mower and void your warranty.