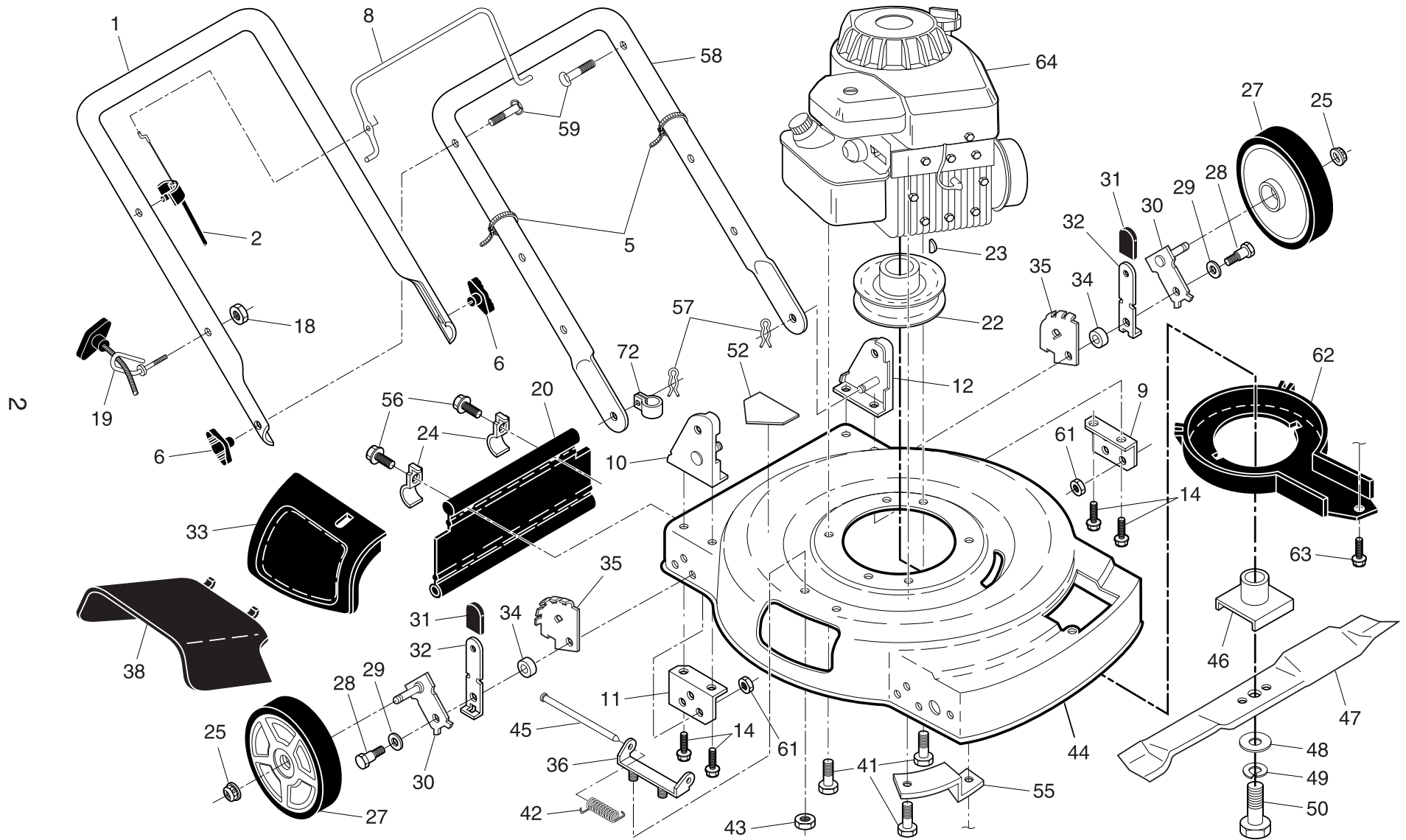


# ROTARY LAWN MOWER - - CATALOG NUMBER PR45Y22SP (MFG. ID. NO. 96122000300)



## ROTARY LAWN MOWER - - CATALOG NUMBER **PR45Y22SP** (MFG. ID. NO. 96122000300)

KEY NO.	PART NO.	DESCRIPTION	KEY NO.	PART NO.	DESCRIPTION
1	166860X479	Upper Handle	44	194628	Kit, Lawn Mower Housing (Includes Key Number 46)
2	156581	Engine Zone Control Cable	45	147286	Rod, Hinge
5	66426	Wire Tie	46	851514	Adapter, Blade
6	189713X428	Handle Knob	47	192682	Blade, 22"
8	146771	Control Bar	48	851074	Washer, Hardened
9	153282X479	Support Bracket, Handle, LH	49	850263	Washer, Lock, Helical
10	170345X479	Handle Bracket Assembly, RH	50	851084	Screw, Hex Head 3/8-24 x 1-3/8 Grade 8
11	153350X479	Support Bracket, Handle, RH	52	107339X	Decal, Danger
12	170346X479	Handle Bracket Assembly, LH	55	188839X004	Mounting Bracket, Debris Shield
14	149741	Screw, Thread Cutting 5/16-18 x 3/4	56	750097	Screw, Hex Washer Head #10-24 x 1/2
18	132004	Locknut, Keps	57	51793	Hairpin Cotter
19	179585	Rope Guide	58	151590X479	Lower Handle
20	189008	Rear Deflector	59	191574	Handle Bolt
22	85496	Pulley, Engine	61	751592	Locknut, Hex
23	87677	Hi-Pro Key	62	188784	Debris Shield
24	87584X004	Clamp, Rear Deflector	63	192325	Screw
25	83923	Locknut, Hex 3/18-16	64	---	Engine, Briggs & Stratton, Model Number 10H902 (for engine service and replacement parts, call Briggs & Stratton at 1-800-233-3723)
27	193905X421	Wheel & Tire Assembly			
28	142748	Shoulder Bolt			
29	62335	Belleville Washer	72	192770	Clip, Cable
30	145935X004	Axle Arm Assembly	--	162300	Warning Decal (not shown)
31	170143	Knob, Selector	--	193733	Operator's Manual, English
32	700331X004	Spring, Selector	--	193736	Operator's Manual, French
33	151889	Discharge Guard	--	195084	Repair Parts Manual, English / French
34	146630	Spacer			
35	750085X007	Bracket, Wheel Adjuster			Available accessories not included with lawn mower:
36	154132	Bracket, Housing	--	GCK5000	Grass Catcher
38	176509	Deflector, Discharge			
41	150406	Screw, Hex Head, Threaded, Rolled 3/8-16 x 1-1/8			
42	152124	Spring, Torsion			
43	73800400	Locknut, Hex			

**NOTE:** All component dimensions given in U.S. inches.  
1 inch = 25.4 mm

**IMPORTANT:** Use only Original Equipment Manufacturer (O.E.M.) replacement parts. Failure to do so could be hazardous, damage your lawn mower and void your warranty.



# ROTARY LAWN MOWER - - CATALOG NUMBER PR45Y22SP (MFG. ID. NO. 96122000300)

KEY NO.	PART NO.	DESCRIPTION	KEY NO.	PART NO.	DESCRIPTION
1	184587	Drive Control Assembly	55	86012	Drive Shaft Cover
2	88058	Bearing, Wheel Adjuster	60	183497	* Case, Lower
3	143603	Screw, Tapping, Pan Head #10-24 x 2-3/4	61	183498	* Case, Upper
4	158755	Screw, Machine, Pan Head 1/4-20 x 2-3/16	62	183499	Gear, 27 Teeth
5	146527	V-Belt	63	183500	Lever, Clutch
6	150495	Bolt, Hex Head 1/4-20 x 2	64	183501	Spring, Return
7	191730	Nut, Hex, Flanged 1/4-20	65	183502	Shaft, Input
9	145212	Locknut, Hex	66	183503	Dog, Movable
10	189325	Decal, Drive Cover	67	183504	Dog, Fixed
11	193912X421	Wheel & Tire Assembly	68	183505	Wire, Formed
12	12000058	E-Ring	69	183506	Bearing, Ball
13	137054	Pinion	70	183507	Fork, Shift
14	189403	Dust Cover	71	183508	Seal, Output Shaft
16	67725	Washer	72	183509	Washer
18	170143	Knob, Selector	73	183510	Seal, Case
28	194398X421	Drive Cover	74	183511	Bushing
31	132010	Locknut, Hex	75	187521	Shaft, Output
32	189407	Pulley, Drive	76	183513	Screw
35	152018	Kit, Wheel Adjuster, RH (Includes Knob and Bearing)	77	183514	Seal, Input Shaft
36	187211	Gear Case Assembly, Complete			
38	73800400	Locknut			
40	137090	Spring			
41	152019	Kit, Wheel Adjuster, LH (Includes Knob and Bearing)			

\* Use Dow Corning #709 to reseal Gear Case Halves.

**NOTE:** All component dimensions given in U.S. inches.  
1 inch = 25.4 mm