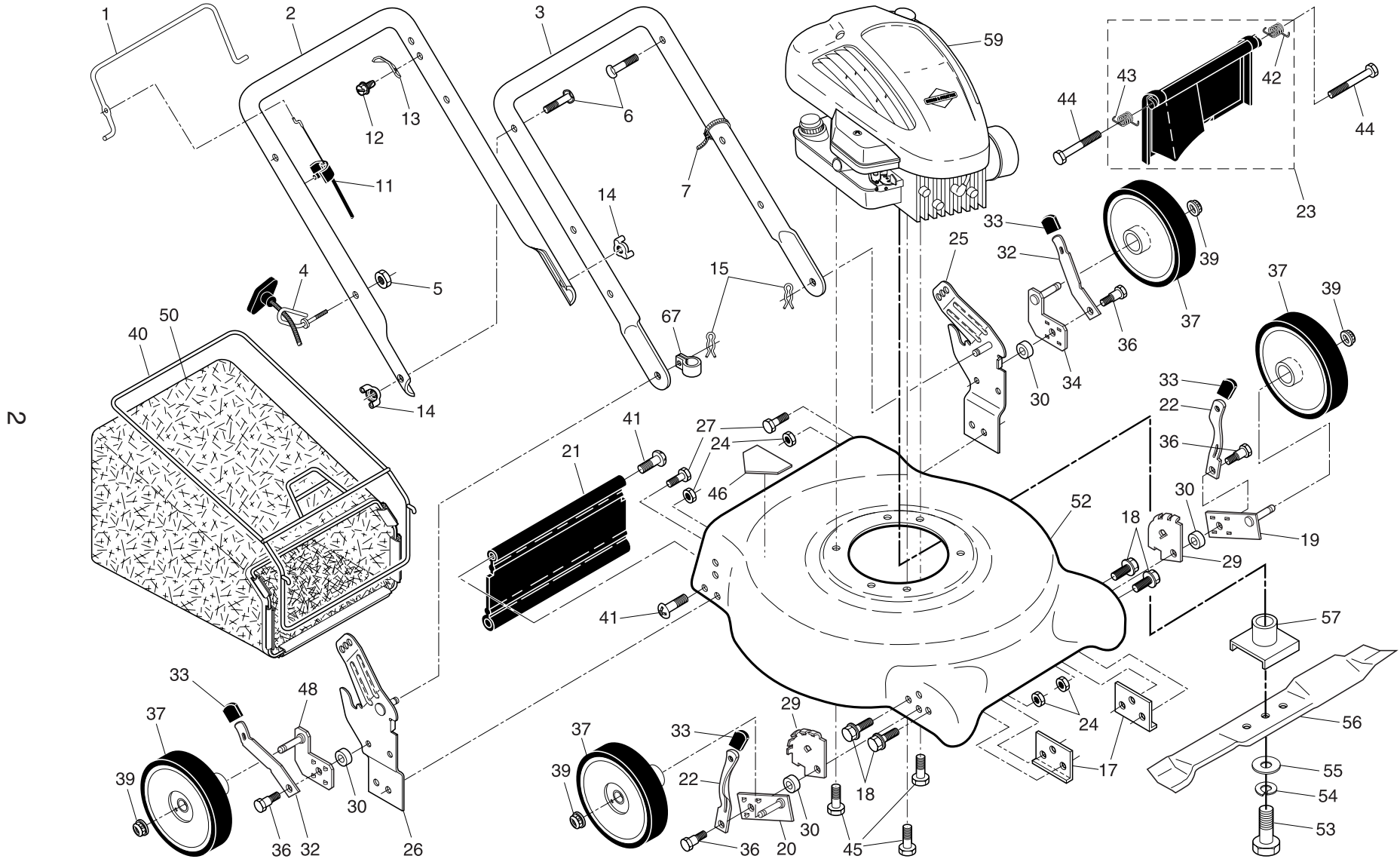


ROTARY LAWN MOWER - - MODEL NUMBER **PO475N21R** (MFG. ID. NUMBER 96132000200)



ROTARY LAWN MOWER - - MODEL NUMBER **PO475N21R** (MFG. ID. NUMBER 96132000200)

3

KEY NO.	PART NO.	DESCRIPTION	KEY NO.	PART NO.	DESCRIPTION
1	194177X428	Control Bar	37	700263	Wheel & Tire Assembly
2	194179X479	Upper Handle	39	83923	Flanged Locknut, Hex
3	169708X479	Lower Handle	40	188813	Frame, Grassbag
4	179585	Rope Guide	41	88652	Hinge Screw
5	132004	Nut, Hex	42	165766	Spring, Rear Door, LH
6	191574	Handle Bolt	43	165767	Spring, Rear Door, RH
7	66426	Wire Tie	44	184193	Bolt, Rear Door
11	176556	Cable, Engine Zone Control	45	150406	Hex Head Thread Rolling Screw 3/8-16 x 1
12	750634	Hex Washer Head Screw	46	107339X	Danger Decal
13	86899X004	Up-Stop Bracket	48	186575X004	Axle Arm Assembly, Rear, RH
14	128638	Wing Nut, Steel	50	194758	Grassbag
15	51793	Hairpin Cotter	52	196540	Kit, Lawn Mower Housing (Includes Key Numbers 17, 18 and 46)
17	165946X479	Support Bracket			
18	17600406	Screw	53	851084	Hex Head Screw 3/8-24 x 1-3/8 Grade 8
19	186577X004	Axle Arm Assembly, Front, LH	54	850263	Helical Lockwasher
20	186578X004	Axle Arm Assembly, Front, RH	55	851074	Hardened Washer
21	188987	Rear Skirt	56	189028	21" Blade
22	168360X004	Selector Spring, Front	57	851514	Blade Adapter
23	186612	Kit, Rear Door Assembly (Includes Springs)	59	- - -	Engine, Briggs & Stratton, Model Number 10M902 (For engine service and replacement parts, call Briggs & Stratton at 1-800-233-3723)
24	73930500	Locknut, Hex 5/16-18			
25	166111X479	Handle Bracket Assembly, LH	67	192770	Clip, Cable
26	166112X479	Handle Bracket Assembly, RH	--	162300	Warning Decal (not shown)
27	17600406	Screw 1/4-20 x 3/8	--	193732	Operator's Manual, English
29	160835X007	Wheel Adjusting Bracket, Front	--	193734	Operator's Manual, French
30	183901	Spacer	--	194703	Repair Parts Manual, English / French
32	169421X004	Selector Spring, Rear			
33	87877	Selector Knob			
34	186576X004	Axle Arm Assembly, Rear, LH			
36	160828	Shoulder Bolt 5/16-18			

NOTE: All component dimensions given in U.S. inches.
1 inch = 25.4 mm

IMPORTANT: Use only Original Equipment Manufacturer (O.E.M.) replacement parts. Failure to do so could be hazardous, damage your lawn mower and void your warranty.