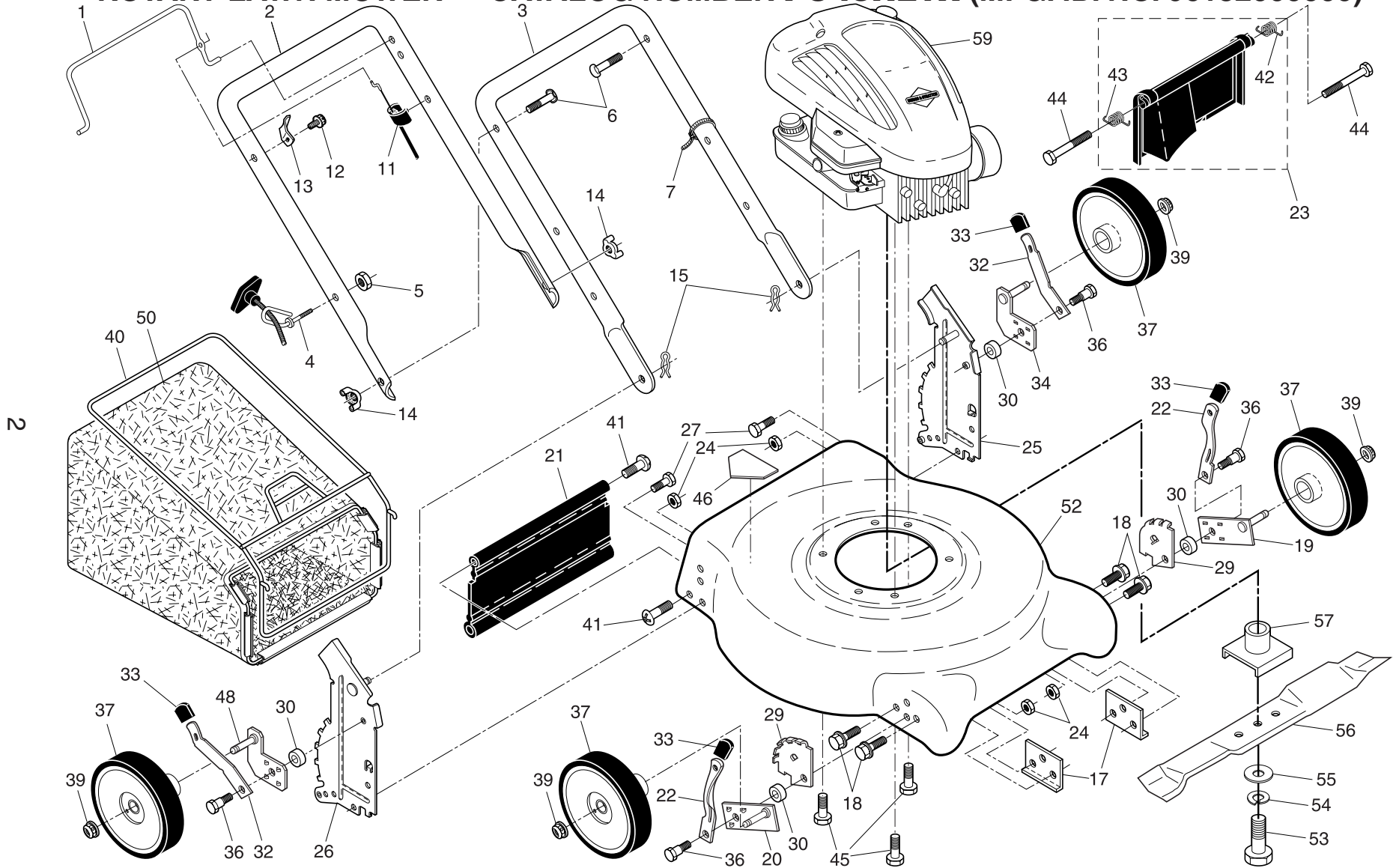


# ROTARY LAWN MOWER - - CATALOG NUMBER P045N21R (MFG. ID. NO. 96132000600)



# ROTARY LAWN MOWER - - CATALOG NUMBER **PO45N21R** (MFG. ID. NO. 96132000600)

3

KEY NO.	PART NO.	DESCRIPTION	KEY NO.	PART NO.	DESCRIPTION
1	194177X428	Control Bar	36	160828	Shoulder Bolt 5/16-18
2	194179X479	Upper Handle	37	700263	Wheel & Tire Assembly
3	169708X479	Lower Handle	39	83923	Flanged Locknut, Hex
4	179585	Rope Guide	40	188813	Frame, Grassbag
5	132004	Nut, Hex 1/4-20	41	88652	Hinge Screw
6	191574	Handle Bolt	42	165766	Spring, Rear Door, LH
7	66426	Wire Tie	43	165767	Spring, Rear Door, RH
11	176556	Engine Zone Control Cable	44	184193	Door Bolt
12	750634	Hex Washer Head Screw	45	150406	Hex Head Thread Rolling Screw 3/8-16 x 1
13	86899X004	Up-Stop Bracket	46	107339	Danger Decal
14	128638	Wing Nut, Steel	48	186575X004	Axle Arm Assembly, Rear, RH
15	51793	Hairpin Cotter	50	195038	Grassbag
17	165946X479	Support Bracket	52	188971	Kit, Lawn Mower Housing (Includes Key Numbers 17, 18 and 46)
18	17600406	Screw	53	851084	Hex Head Screw 3/8-24 x 1-3/8 Grade 8
19	186577X004	Axle Arm Assembly, Front, LH	54	850263	Helical Lockwasher
20	186578X004	Axle Arm Assembly, Front, RH	55	851074	Hardened Washer
21	188987	Rear Skirt	56	189028	21" Blade
22	168360X004	Selector Spring, Front	57	851514	Blade Adapter
23	186612	Rear Door Assembly Kit (Includes Springs)	59	- - -	Engine, Briggs & Stratton, Model Number 10L902 (For engine service and replacement parts, call Briggs & Stratton at 1-800-233-3723)
24	73930500	Locknut, Hex 5/16-18	- -	162300	Warning Decal (not shown)
25	166111X479	Handle Bracket Assembly, LH	- -	193732	Operator's Manual, English
26	166112X479	Handle Bracket Assembly, RH	- -	193734	Operator's Manual, French
27	851856	Screw 1/4-20 x 3/8	- -	195037	Repair Parts Manual, English / French
29	160835X007	Wheel Adjusting Bracket, Front	<b>NOTE:</b> All component dimensions given in U.S. inches. 1 inch = 25.4 mm		
30	183901	Washer			
32	169421X004	Selector Spring, Rear			
33	87877	Selector Knob			
34	186576X004	Axle Arm Assembly, Rear, LH			

**IMPORTANT:** Use only Original Equipment Manufacturer (O.E.M.) replacement parts. Failure to do so could be hazardous, damage your lawn mower and void your warranty.