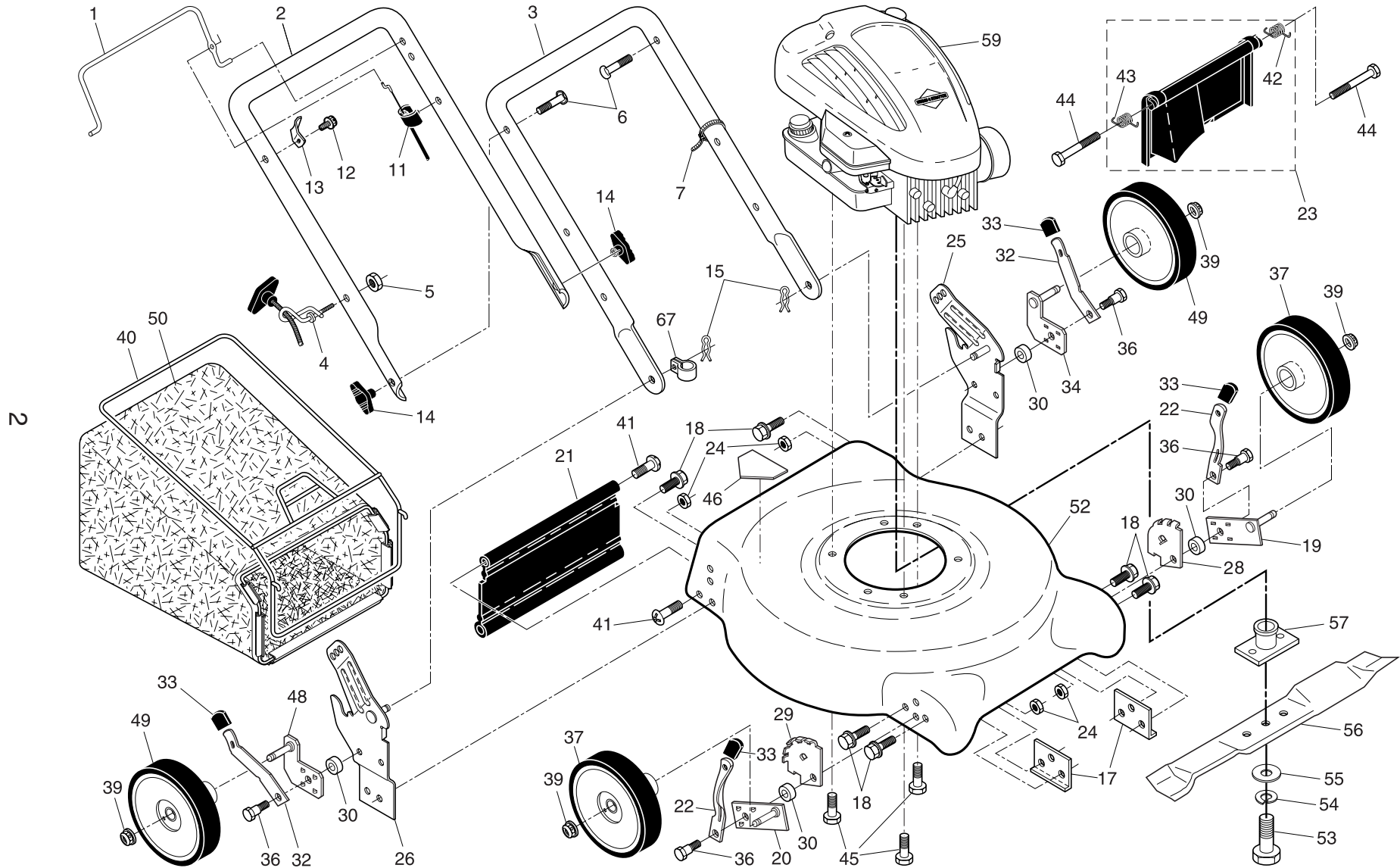


ROTARY LAWN MOWER - - MODEL NUMBER PO45N21R (MFG. ID. NUMBER 96132001300)



ROTARY LAWN MOWER - - MODEL NUMBER **PO45N21R** (MFG. ID. NUMBER 96132001300)

KEY NO.	PART NO.	DESCRIPTION	KEY NO.	PART NO.	DESCRIPTION
1	194177X428	Control Bar	36	160828	Shoulder Bolt 5/16-18
2	194179X479	Upper Handle	37	193931X427	Wheel & Tire Assembly, Front 7 x 1-3/4
3	169708X479	Lower Handle	39	83923	Flanged Locknut, Hex
4	194788	Rope Guide	40	194642	Frame, Grassbag
5	132004	Nut, Hex	41	88652	Hinge Screw
6	191574	Handle Bolt	42	165766	Spring, Rear Door, LH
7	66426	Wire Tie	43	165767	Spring, Rear Door, RH
11	176556	Cable, Engine Zone Control	44	184193	Bolt, Rear Door
12	750634	Hex Washer Head Screw	45	150406	Hex Head Thread Rolling Screw 3/8-16 x 1
13	86899X004	Up-Stop Bracket	46	107339	Danger Decal
14	189713X428	Knob, Handle	48	186575X004	Axle Arm Assembly, Rear, RH
15	51793	Hairpin Cotter	49	193905X427	Wheel & Tire Assembly, Rear 8 x 1-3/4
17	165946X479	Support Bracket	50	402263	Grassbag
18	17600406	Screw	52	196540	Kit, Lawn Mower Housing (Includes Key Numbers 17, 18 and 46)
19	186577X004	Axle Arm Assembly, Front, LH	53	851084	Hex Head Screw 3/8-24 x 1-3/8 Grade 8
20	186578X004	Axle Arm Assembly, Front, RH	54	850263	Helical Lockwasher
21	188987	Rear Skirt	55	851074	Hardened Washer
22	168360X004	Selector Spring, Front	56	189028	21" Blade
23	186612	Kit, Rear Door Assembly (Includes Springs)	57	193825	Blade Adapter
24	73930500	Locknut, Hex 5/16-18	59	- - -	Engine, Briggs & Stratton, Model Number 10L902 (For engine service and replacement parts, call Briggs & Stratton at 1-800-233-3723)
25	166111X479	Handle Bracket Assembly, LH	67	197991	Clip, Cable
26	166112X479	Handle Bracket Assembly, RH	- -	162300	Warning Decal (not shown)
28	196664X007	Wheel Adjusting Bracket, Front, LH	- -	193732	Operator's Manual, English
29	196663X007	Wheel Adjusting Bracket, Front, RH	- -	193734	Operator's Manual, French
30	183901	Spacer	- -	402262	Repair Parts Manual, English / French
32	169421X004	Selector Spring, Rear			
33	87877	Selector Knob			
34	186576X004	Axle Arm Assembly, Rear, LH			

NOTE: All component dimensions given in U.S. inches. 1 inch = 25.4 mm.

IMPORTANT: Use only Original Equipment Manufacturer (O.E.M.) replacement parts. Failure to do so could be hazardous, damage your lawn mower and void your warranty.