

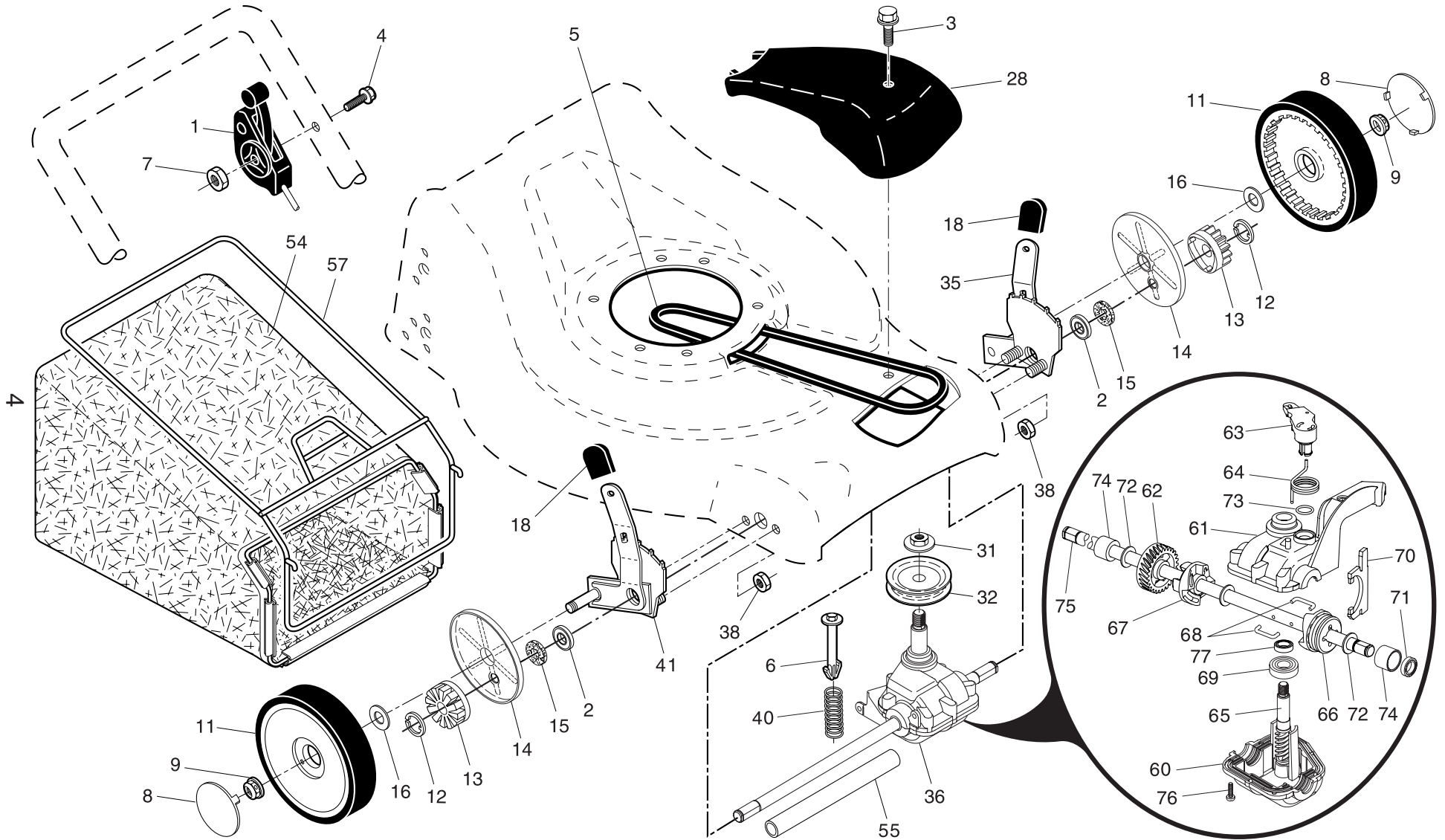
ROTARY LAWN MOWER - - MODEL NUMBER **SO675Y21R** (MFG. ID. NUMBER 96142000500)

3

KEY NO.	PART NO.	DESCRIPTION	KEY NO.	PART NO.	DESCRIPTION
1	183496X479	Upper Handle	39	176235	Pushnut
2	151721X479	Lower Handle	40	188839X004	Mounting Bracket, Debris Shield
3	146771	Control Bar	42	192325	Screw, Debris Shield
4	130861	Engine Zone Control Cable	43	188784	Debris Shield
5	191574	Handle Bolt	44	195619	Kit, Lawn Mower Housing (Includes Key Numbers 10, 11, 12 and 45)
6	189713X428	Handle Knob	45	141846	Danger Decal
7	51793	Hairpin Cotter	46	189179	Blade Adapter / Pulley
8	66426	Wire Tie	47	189028	Blade 21"
9	180479	Rear Door Kit (Includes Key #16 and 17)	48	851074	Hardened Washer
10	128415	Pop Rivet	49	850263	Helical Washer 3/8-24 x 1-3/8 Grade 8
11	175069X479	Support Bracket, LH	50	851084	Screw, Machine, Hex Head 3/8-24 x 1-3/8 Grade 8
12	175070X479	Support Bracket, RH	59	175071	Deflector, Discharge
13	17060410	Screw 1/4-20 x 5/8	60	175735	Hinge Bracket Assembly
14	175082X479	Handle Bracket Assembly, LH	61	175285	Hinge Spring
15	175081X479	Handle Bracket Assembly, RH	62	175650	Hinge Rod
16	180071	Spring, LH	63	73800400	Nut, Hex
17	180072	Spring, RH	64	175066	Mulcher Door
18	132004	Keps Locknut 1/4-20	66	700417	Throttle Control
19	179585	Rope Guide	67	183365	Screw
20	189005	Rear Skirt	68	111190X	Clamp, Cable
21	88652	Hinge Screw 1/4-20 x 1-1/4	69	83816	Screw
24	---	Engine, Briggs & Stratton, Model Number 125K02 (For engine service and replacement parts, call Briggs & Stratton at 1-800-233-3723)	96	192770	Clip, Cable
25	150406	Screw, Hex Head, Threaded, Rolled 3/8-16 x 1-1/8	--	161058	Warning Decal (not shown)
26	83923	Nut, Hex, Flanged	--	193733	Operator's Manual, English
27	146247	Wheel	--	193743	Operator's Manual, Spanish
28	189312	Shoulder Bolt 5/16-18 x .33	--	195618	Repair Parts Manual
30	189596X004	Axle Arm Assembly, RR	Available accessories not included with lawn mower:		
31	87877	Selector Knob	--	71 33623	Gas Can (2.5 Gallon Container)
32	175060X004	Selector Spring	--	71 33500	Fuel Stabilizer
34	189597X004	Axle Arm Assembly, LR	--	71 33000	SAE 30W Oil (20 Ounce Bottle)
35	77400	Hubcap	NOTE: All component dimensions given in U.S. inches. 1 inch = 25.4 mm		
36	184193	Bolt			
38	176185	Washer, Step			

IMPORTANT: Use only Original Equipment Manufacturer (O.E.M.) replacement parts. Failure to do so could be hazardous, damage your lawn mower and void your warranty.

ROTARY LAWN MOWER - - MODEL NUMBER SO675Y21R (MFG. ID. NUMBER 96142000500)



ROTARY LAWN MOWER - - MODEL NUMBER **SO675Y21R** (MFG. ID. NUMBER 96142000500)

KEY NO.	PART NO.	DESCRIPTION
1	184588	Control Cable Assembly
2	167387	Bearing, Wheel Adjuster
3	175262	Pan Head Tapping Screw #10-24 x 2-3/4
4	158755	Hex Washer Head Screw 1/4-20 x 2.12
5	175436	V-Belt
6	150495	Spring Retainer
7	191730	Nut, Hex, Flanged 1/4-20
8	77400	Hubcap
9	145212	Locknut
11	180776	Wheel & Tire Assembly
12	12000058	E-Ring
13	137054	Pinion
14	189403	Dust Cover
15	88118	Felt Washer
16	67725	Washer 1/2 x 1-1/2 x .134
18	87877	Selector Knob
28	181468	Drive Cover
31	132010	Hex Flange Nut
32	189407	Drive Pulley
35	151521	Kit, Wheel Adjuster, LH (Includes Knob and Bearing)
36	180184	Gear Case Assembly, Complete
38	73800400	Locknut 1/4-20
40	137090	Spring
41	151520	Kit, Wheel Adjuster, RH (Includes Knob and Bearing)

KEY NO.	PART NO.	DESCRIPTION
54	195157	Grassbag Assembly
55	175739	Driveshaft Cover
57	188815	Frame, Grassbag
60	183497	* Case, Lower
61	183498	* Case, Upper
62	183499	Gear, 27 Teeth
63	183500	Lever, Clutch
64	183501	Spring, Return
65	183502	Shaft, Input
66	183503	Dog, Movable
67	183504	Dog, Fixed
68	183505	Wire, Formed
69	183506	Bearing, Ball
70	183507	Fork, Shift
71	183508	Seal, Output Shaft
72	183509	Washer
73	183510	Seal, Case
74	183511	Bushing
75	183512	Shaft, Output
76	183513	Screw
77	183514	Seal, Input Shaft

* Use Dow Corning #709 to reseal Gear Case Halves.

NOTE: All component dimensions given in U.S. inches.
1 inch = 25.4 mm

IMPORTANT: Use only Original Equipment Manufacturer (O.E.M.) replacement parts. Failure to do so could be hazardous, damage your lawn mower and void your warranty.