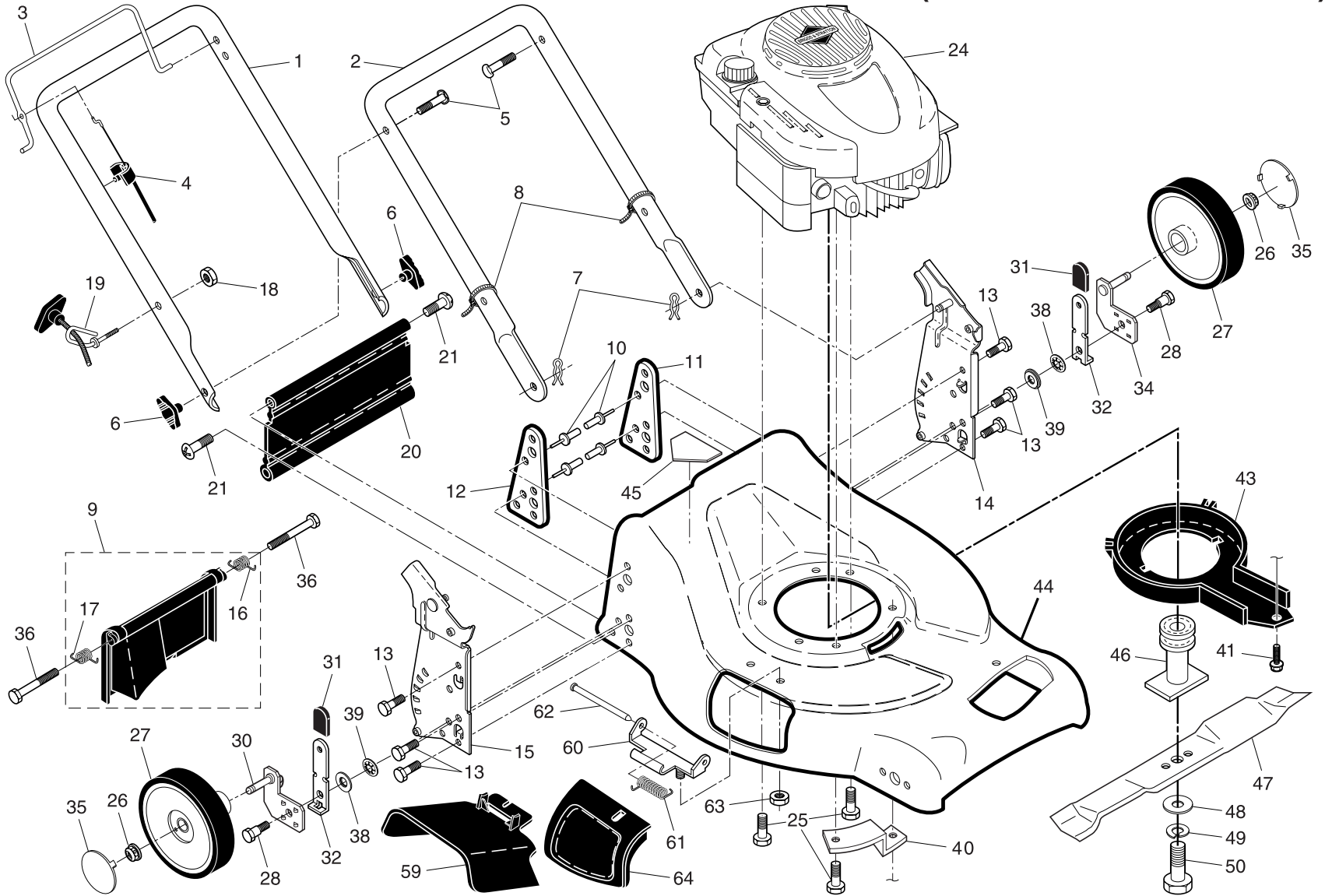


ROTARY LAWN MOWER - - CATALOG NUMBER PR675Y21RP (MFG. ID. NO. 96142000800)

2



ROTARY LAWN MOWER - - CATALOG NUMBER **PR675Y21RP** (MFG. ID. NO. 96142000800)

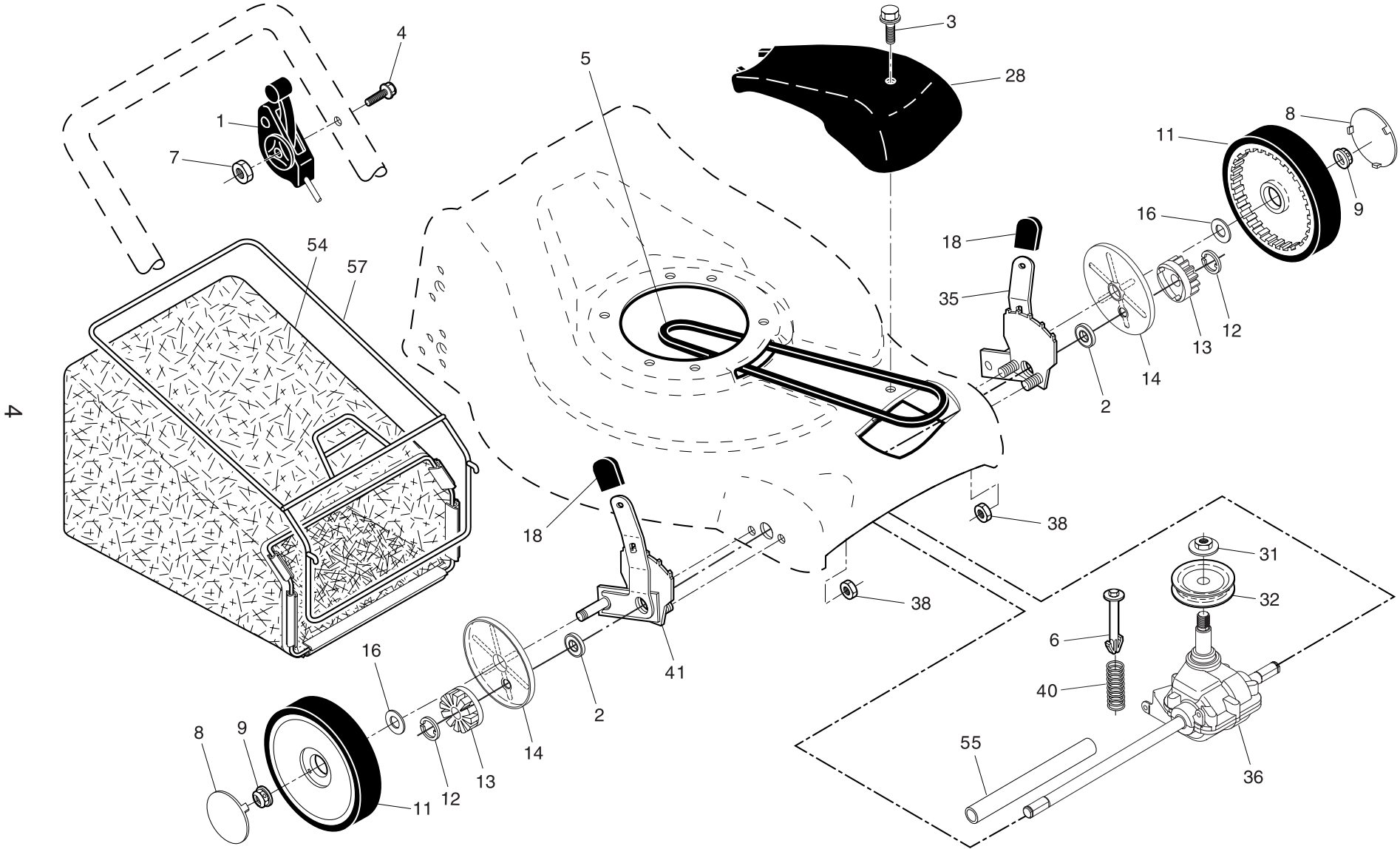
3

KEY NO.	PART NO.	DESCRIPTION	KEY NO.	PART NO.	DESCRIPTION
1	183496X479	Upper Handle	32	175060X004	Selector Spring
2	151721X479	Lower Handle	34	189597X004	Axle Arm Assembly, Rear, LH
3	146771	Control Bar	35	77400	Hubcap
4	183567	Engine Zone Control Cable	36	184193	Bolt, Rear Door
5	191574	Handle Bolt	38	176185	Washer, Step 11/32 x 1-3/8 x 7/32
6	189713X428	Handle Knob	39	176235	Push Nut
7	51793	Hairpin Cotter	40	188839X004	Mounting Bracket, Debris Shield
8	66426	Wire Tie	41	188040	Screw, Debris Shield
9	180479	Kit, Rear Door (Includes Key Numbers 16 and 17)	43	188784	Debris Shield
10	128415	Pop Rivet	44	176710	Kit, Lawn Mower Housing (Includes Key Numbers 11, 12 and 45)
11	175069X479	Support Bracket, LH	45	107339X	Danger Decal
12	175070X479	Support Bracket, RH	46	189179	Blade Adapter / Pulley
13	17060410	Screw, Tapping 1/4-20 x 5/8	47	189028	Blade, 21"
14	175082X479	Handle Bracket Assembly, LH	48	851074	Hardened Washer
15	175081X479	Handle Bracket Assembly, RH	49	850263	Helical Washer
16	180071	Spring, Rear Door, LH	50	851084	Hex Head Machine Screw, Grade 8, 3/8-24 x 1-3/8
17	180072	Spring, Rear Door, RH	59	175071	Discharge Deflector
18	132004	Nut, Hex 1/4-20	60	175735	Hinge Bracket
19	179585	Rope Guide	61	175285	Spring
20	189005	Rear Skirt	62	175650	Rod, Hinge
21	88652	Hinge Screw 1/4-20 x 1-1/4	63	73800400	Keps Locknut 1/4-20
24	---	Engine, Briggs & Stratton, Model Number 125K02 (For engine service and replacement parts, call Briggs & Stratton at 1-800-233-3723)	64	175066	Mulcher Door
25	150406	Hex Head Thread Rolling Screw 3/8-16 x 1-1/8	--	162300	Warning Decal (not shown)
26	83923	Hex Flange Nut	--	193733	Operator's Manual, English
27	170262	Wheel & Tire Assembly	--	193736	Operator's Manual, French
28	189312	Shoulder Bolt 5/16-18 x 1-21/64	--	195143	Replacement Parts Manual, English / French
30	189596X004	Axle Arm Assembly, Rear, RH			
31	170143	Selector Knob			

NOTE: All component dimensions given in U.S. inches.
1 inch = 25.4 mm

IMPORTANT: Use only Original Equipment Manufacturer (O.E.M.) replacement parts. Failure to do so could be hazardous, damage your lawn mower and void your warranty.

ROTARY LAWN MOWER -- CATALOG NUMBER PR675Y21RP (MFG. ID. NO. 96142000800)



ROTARY LAWN MOWER - - CATALOG NUMBER **PR675Y21RP** (MFG. ID. NO. 96142000800)

5

KEY NO.	PART NO.	DESCRIPTION
1	184587	Control Cable Assembly
2	167387	Bearing, Wheel Adjuster
3	175262	Pan Head Tapping Screw #10-24 x 2-3/4
4	158755	Hex Washer Head Screw 1/4-20 x 2.12
5	175436	V-Belt
6	150495	Spring Retainer
7	191730	Locknut, Hex #10-24
8	77400	Hubcap
9	145212	Nut, Flangelock, Special Thread
11	180766	Wheel & Tire Assembly
12	12000058	E-Ring
13	137054	Pinion
14	189403	Dust Cover
16	67725	Washer 1/2 x 1-1/2 x .134
18	170143	Selector Knob

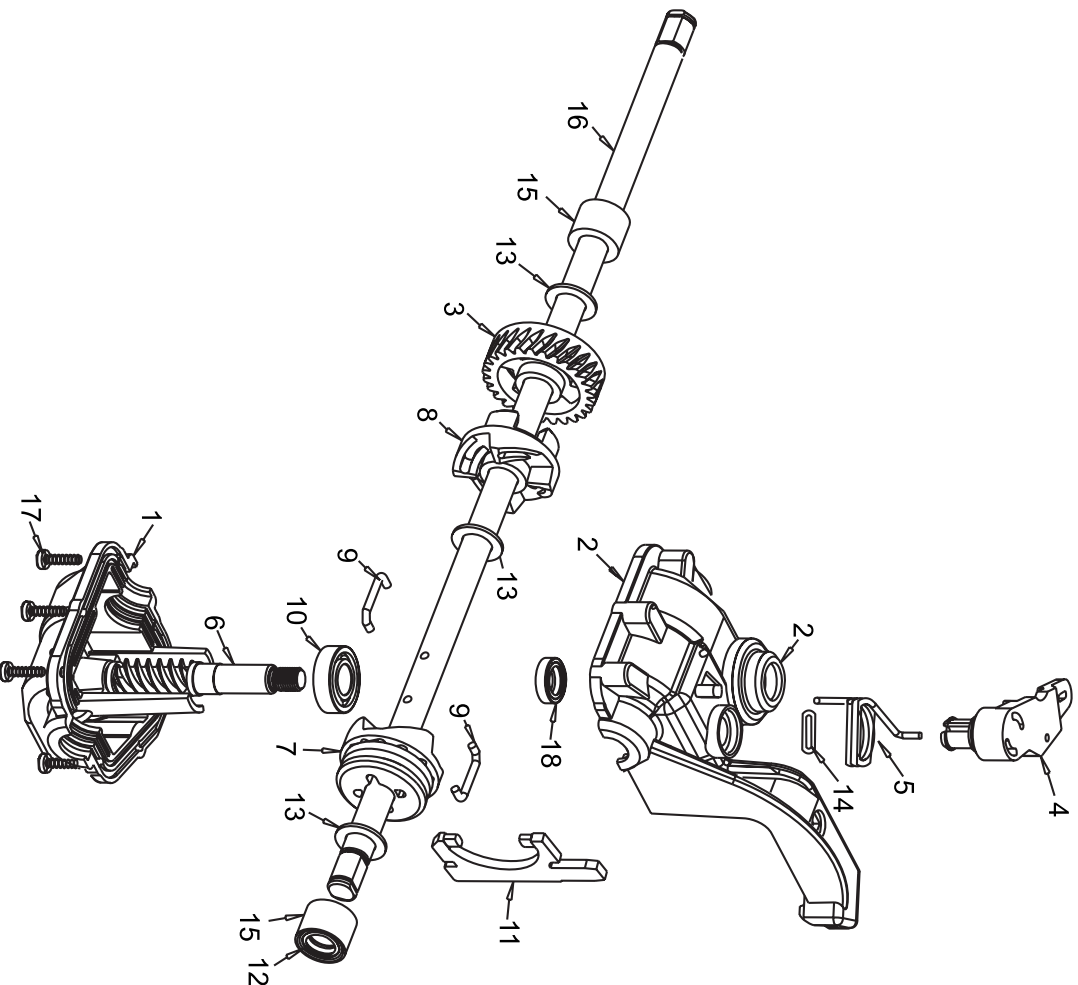
KEY NO.	PART NO.	DESCRIPTION
28	181466	Dive Cover
31	132010	Nut, Hex, Flanged, Zinc Plated 3/8-16
32	189407	Drive Pulley
35	172291	Kit, Wheel Adjuster, LH (Includes Knob and Bearing)
36	180184	Gear Case Assembly (See Breakdown)
38	73800400	Locknut, Hex 1/4-20
40	137090	Spring
41	172290	Kit, Wheel Adjuster, RH (Includes Knob and Bearing)
54	194697	Grassbag
55	175739	Driveshaft Cover
57	188815	Frame, Grassbag

NOTE: All component dimensions given in U.S. inches.
1 inch = 25.4 mm

IMPORTANT: Use only Original Equipment Manufacturer (O.E.M.) replacement parts. Failure to do so could be hazardous, damage your lawn mower and void your warranty.

**ROTARY LAWN MOWER - - MODEL NUMBER PR675Y21RP
GEARCASE ASSEMBLY - - PART NUMBER 180184**

**TONDEUSE À GAZON ROTATIVE - - NUMÉRO DE MODÈLE PR675Y21RP
ENSEMBLE DE LA BOÎTE DE VITESSE - NUMÉRO DE PIÈCE 180184**



KEY PART NO.	DESCRIPTION
1	Case, Lower
2	Case, Upper
3	Gear, 27 Teeth
4	Lever, Clutch
5	Spring, Return
6	Shaft, Input
7	Dog, Movable
8	Dog, Fixed
9	Wire, Formed
10	Bearing, Ball
11	Fork, Shift
12	Seal, Output Shaft
13	Washer
14	Seal, Case
15	Bushing
16	Shaft, Output
17	Screw
18	Seal, Input Shaft
--	Kit, Gearcase Replacement (Includes Instructions)

DESCRIPTION	6
Boîte, Inférieur	
Boîte, Supérieur	
Engrenage, 27 Dents	
Levier d'embrayage	
Ressort de Rappel	
Arbre d'entrée	
Griffe, Amovible	
Griffe, Fixe	
File à Pince	
Paller	
Fourchette de Changement de Vitesse	
Sceau, Arbre de Sortie	
Rondelle	
Sceau, Boîte	
Douille	
Arbre de Sortie	
Vis	
Sceau, Arbre d'entrée	
Jeu, Remplacer, Boîte de Vitesse (Y compris le instructions)	

NOTE: Use Dow Corning #709 to reseal Gear Case Halves.

REMARQUE: Utilizer Dow Corning #709 pour Sceau les Boîtes.