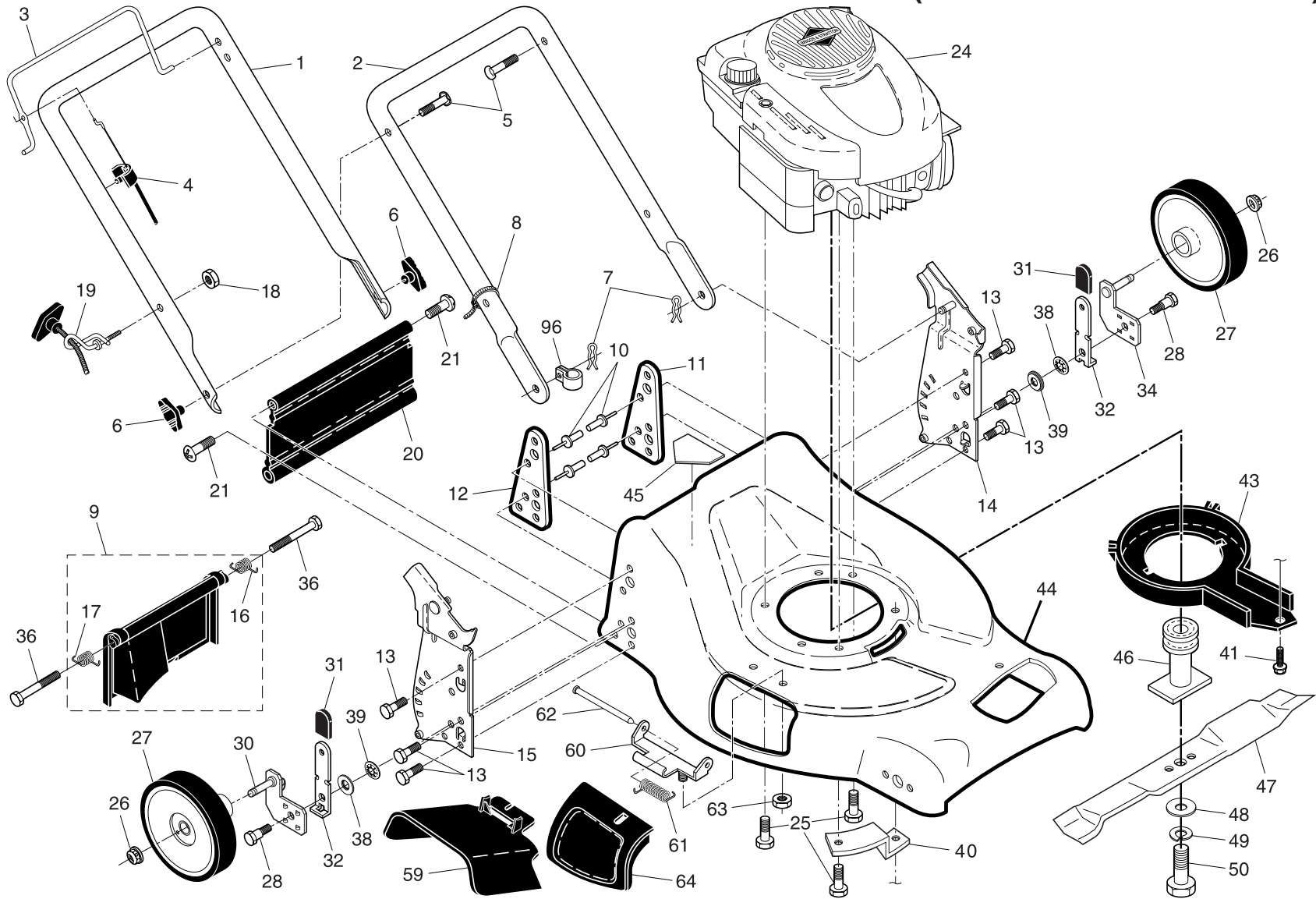


# ROTARY LAWN MOWER - - MODEL NUMBER PR675Y21RP (MFG. ID. NO. 96142000802)

2



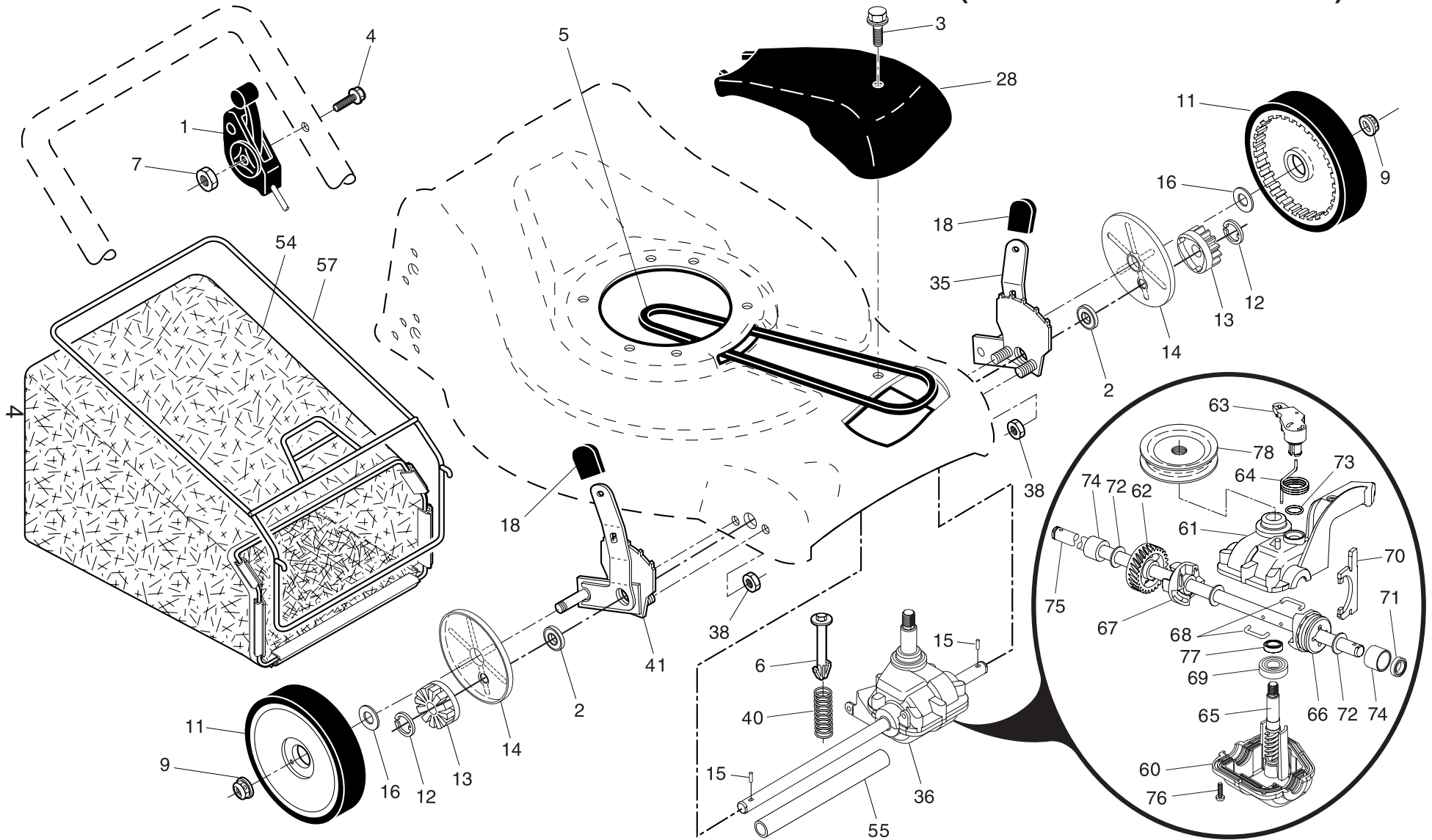
## ROTARY LAWN MOWER - - MODEL NUMBER **PR675Y21RP** (MFG. ID. NO. 96142000802)

	KEY NO.	PART NO.	DESCRIPTION	KEY NO.	PART NO.	DESCRIPTION
	1	183496X479	Upper Handle	30	189596X004	Axle Arm Assembly, Rear, RH
	2	151721X479	Lower Handle	31	170143	Selector Knob
	3	146771	Control Bar	32	175060X004	Selector Spring
	4	183567	Engine Zone Control Cable	34	189597X004	Axle Arm Assembly, Rear, LH
	5	191574	Handle Bolt	36	184193	Bolt, Rear Door
	6	189713X428	Handle Knob	38	176185	Washer, Step 11/32 x 1-3/8 x 7/32
	7	51793	Hairpin Cotter	39	176235	Push Nut
	8	66426	Wire Tie	40	188839X004	Mounting Bracket, Debris Shield
	9	180479	Kit, Rear Door (Includes Key Numbers 16 and 17)	41	<b>192325</b>	Screw, Debris Shield
	10	128415	Pop Rivet	43	188784	Debris Shield
	11	175069X479	Support Bracket, LH	44	176710	Kit, Lawn Mower Housing (Includes Key Numbers 11, 12 and 45)
	12	175070X479	Support Bracket, RH	45	107339X	Danger Decal
	13	17060410	Screw, Tapping 1/4-20 x 5/8	46	189179	Blade Adapter / Pulley
G	14	175082X479	Handle Bracket Assembly, LH	47	189028	Blade, 21"
	15	175081X479	Handle Bracket Assembly, RH	48	851074	Hardened Washer
	16	180071	Spring, Rear Door, LH	49	850263	Helical Washer
	17	180072	Spring, Rear Door, RH	50	851084	Hex Head Machine Screw, Grade 8, 3/8-24 x 1-3/8
	18	132004	Nut, Hex 1/4-20	59	175071	Discharge Deflector
	19	<b>194788</b>	Rope Guide	60	175735	Hinge Bracket
	20	189005	Rear Skirt	61	<b>193000</b>	Spring
	21	88652	Hinge Screw 1/4-20 x 1-1/4	62	175650	Rod, Hinge
	24	---	Engine, Briggs & Stratton, Model Number 125K02 (For engine service and replacement parts, call Briggs & Stratton at 1-800-233-3723)	63	73800400	Keps Locknut 1/4-20
	25	150406	Hex Head Thread Rolling Screw 3/8-16 x 1-1/8	64	175066	Mulcher Door
	26	83923	Hex Flange Nut	96	<b>197991</b>	Clip, Cable
	27	<b>193909X421</b>	Wheel & Tire Assembly	--	162300	Warning Decal (not shown)
	28	189312	Shoulder Bolt 5/16-18 x 1-21/64	--	193733	Operator's Manual, English
				--	193736	Operator's Manual, French
				--	<b>196187</b>	Replacement Parts Manual, English / French

**NOTE:** All component dimensions given in U.S. inches. 1 inch = 25.4 mm.

**IMPORTANT:** Use only Original Equipment Manufacturer (O.E.M.) replacement parts. Failure to do so could be hazardous, damage your lawn mower and void your warranty.

# ROTARY LAWN MOWER -- MODEL NUMBER PR675Y21RP (MFG. ID. NO. 96142000802)



# ROTARY LAWN MOWER - - MODEL NUMBER **PR675Y21RP** (MFG. ID. NO. 96142000802)

KEY NO.	PART NO.	DESCRIPTION
1	184587	Control Cable Assembly
2	<b>191039</b>	Bearing, Wheel Adjuster
3	175262	Pan Head Tapping Screw #10-24 x 2-3/4
4	158755	Hex Washer Head Screw 1/4-20 x 2.12
5	175436	V-Belt
6	150495	Spring Retainer
7	191730	Locknut, Hex #10-24
9	<b>83923</b>	Nut, Hex, Flangelock
11	<b>193912X421</b>	Wheel & Tire Assembly
12	12000058	E-Ring
13	<b>750003</b>	Pinion
14	189403	Dust Cover
15	<b>191017</b>	Pawl, Drive
16	67725	Washer 1/2 x 1-1/2 x .134
18	170143	Selector Knob
28	181466	Dive Cover
35	<b>195354</b>	Kit, Wheel Adjuster, LH (Includes Knob and Bearing)
36	<b>199205</b>	Gear Case Assembly, Complete
38	73800400	Locknut, Hex 1/4-20
40	137090	Spring
41	<b>195357</b>	Kit, Wheel Adjuster, RH (Includes Knob and Bearing)

KEY NO.	PART NO.	DESCRIPTION
54	194697	Grassbag
55	175739	Driveshaft Cover
57	<b>194643</b>	Frame, Grassbag
60	183497	* Case, Lower
61	183498	* Case, Upper
62	183499	Gear, 27 Teeth
63	183500	Lever, Clutch
64	183501	Spring, Return
65	183502	Shaft, Input
66	183503	Dog, Movable
67	183504	Dog, Fixed
68	183505	Wire, Formed
69	183506	Bearing, Ball
70	183507	Fork, Shift
71	183508	Seal, Output Shaft
72	183509	Washer
73	183510	Seal, Case
74	183511	Bushing
75	<b>196613</b>	Shaft, Output
76	183513	Screw
77	183514	Seal, Input Shaft
78	<b>199852</b>	Pulley, Drive

\* Use Dow Corning #709 to reseal Gear Case Halves.

**NOTE:** All component dimensions given in U.S. inches. 1 inch = 25.4 mm.

**IMPORTANT:** Use only Original Equipment Manufacturer (O.E.M.) replacement parts. Failure to do so could be hazardous, damage your lawn mower and void your warranty.