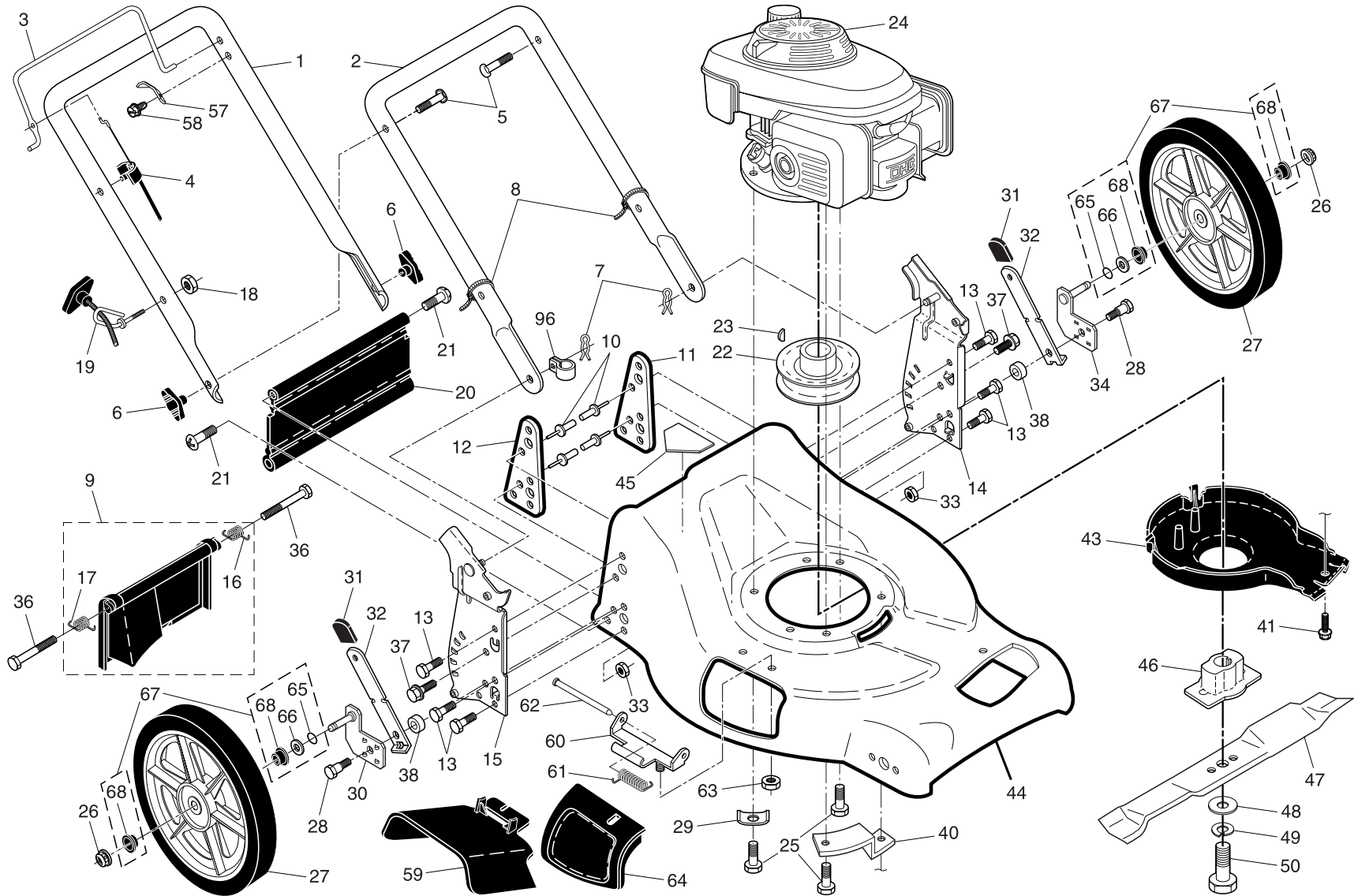


ROTARY LAWN MOWER - - CATALOG NUMBER PR55Y21RH (MFG. ID. NUMBER 96142001102)

2



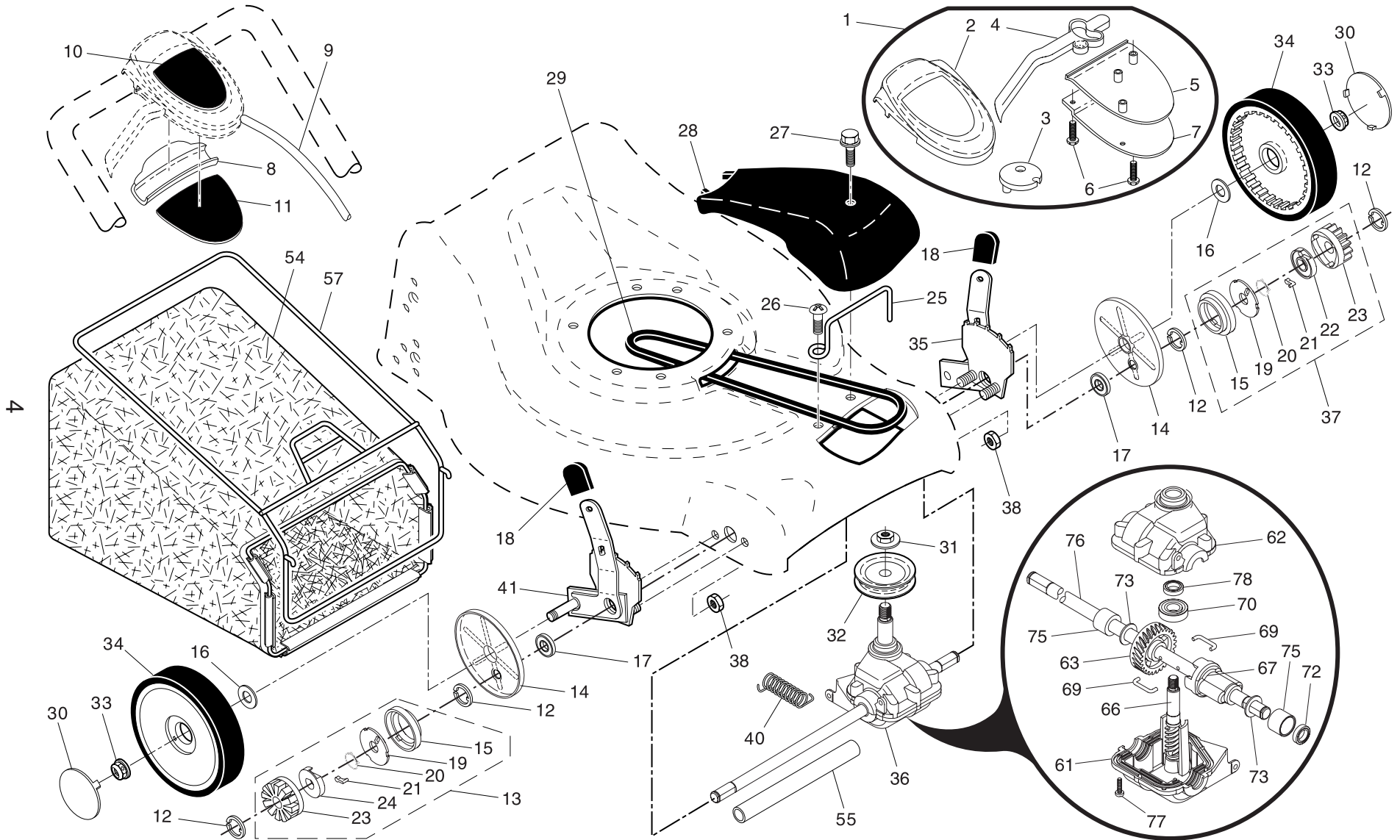
ROTARY LAWN MOWER - - CATALOG NUMBER **PR55Y21RH** (MFG. ID. NUMBER 96142001102)

	KEY NO.	PART NO.	DESCRIPTION	KEY NO.	PART NO.	DESCRIPTION
	1	188190X479	Upper Handle	33	73800500	Nut, Hex, Nylock 5/16-18
	2	151721X479	Lower Handle	34	180412X004	Axle Arm Assembly, Rear, LH
	3	187940X428	Control Bar	36	184193	Bolt, Rear Door
	4	183567	Engine Zone Control Cable	37	150078	Screw
	5	191574	Handle Bolt	38	19112206	Washer, Flat .34 x 1.38
	6	189713X428	Handle Knob	40	188102	Mounting Bracket, Debris Shield
	7	51793	Hairpin Cotter	41	192325	Screw, Debris Shield
	8	66426	Wire Tie	43	187038	Debris Shield
	9	180479	Kit, Rear Door (Includes Key Numbers 16 and 17)	44	176710	Kit, Housing (Includes Key Numbers 10, 11, 12 and 45)
	10	128415	Pop Rivet	45	107339X	Danger Decal
	11	175069X479	Support Bracket, LH	46	184590	Blade Adapter
	12	175070X479	Support Bracket, RH	47	189028	Blade, 21"
	13	17060410	Screw 1/4-20 x 5/8	48	851074	Hardened Washer
	14	181017X479	Handle Bracket Assembly, LH	49	850263	Helical Washer 3/8
	15	181016X479	Handle Bracket Assembly, RH	50	851084	Blade Bolt, Hex Head, Grade 8
3	16	180071	Spring, Rear Door, LH	57	860733X004	Bracket, Upstop
	17	180072	Spring, Rear Door, RH	58	750634	Screw
	18	132004	Keps Locknut 1/4-20	59	175071	Discharge Deflector
	19	179585	Rope Guide	60	175735	Hinge Bracket
	20	189005	Rear Skirt	61	175285	Spring
	21	88652	Hinge Screw 1/4-20 x 1-1/4	62	175650	Rod, Hinge
	22	185005	Pulley, Engine	63	73800400	Nut, Hex
	23	187223	Key, Hi-Pro	64	175066	Mulcher Door
	24	---	Engine, Honda, Model Number GCV160 (For engine service and replacement parts, call Honda Engines at 1-800-426-7701)	65	188152	O-Ring
		25	150406	Screw, Hex Head, Threaded, Rolled 3/8-16 x 2	66	88348
	26	83923	Nut, Hex, Flangelock 3/8-16	67	193498	Kit, Bushing, High Wheel
	27	195630	Wheel & Tire Assembly, Rear, 14"	68	193028X428	Bushing, Nylon, Black
	28	160828	Bolt, Shoulder 5/16-18	96	192770	Clip, Cable
	29	851201X004	Washer, Engine, Zinc Plated	--	162300	Warning Decal (not shown)
	30	180411X004	Axle Arm Assembly, Rear, RH	--	193733	Operator's Manual, English
	31	170143	Selector Knob	--	193736	Operator's Manual, French
	32	175053X004	Selector Spring	--	195732	Repair Parts Manual, English / French

NOTE: All component dimensions given in U.S. inches.
1 inch = 25.4 mm

IMPORTANT: Use only Original Equipment Manufacturer (O.E.M.) replacement parts. Failure to do so could be hazardous, damage your lawn mower and void your warranty.

ROTARY LAWN MOWER - - CATALOG NUMBER PR55Y21RH (MFG. ID. NUMBER 96142001102)



ROTARY LAWN MOWER - - CATALOG NUMBER PR55Y21RH (MFG. ID. NUMBER 96142001102)

KEY NO.	PART NO.	DESCRIPTION	KEY NO.	PART NO.	DESCRIPTION
1	195091	Drive Control Assembly, Complete	32	189406	Drive Pulley
2	188277	Cover, Top	33	145212	Locknut
3	187353	Pulley	34	194854	Wheel & Tire Assembly, Front
4	195585	Lever, Drive Control	35	180915	Kit, Wheel Adjuster, LH (Includes Knob and Bearing)
5	188276	Cover, Bottom	36	187212	Gear Case Assembly, Complete
6	181698	Screw #8 x .62	37	188331	Pinion Assembly, LH
7	184212X479	Mounting Bracket	38	73800400	Locknut 1/4-20
8	184987	Cap, Bottom	40	182226	Spring
9	195412	Cable, Drive	41	180914	Kit, Wheel Adjuster, RH (Includes Knob and Bearing)
10	195175	Decal, Drive Control Operation	54	194697	Grassbag Assembly
11	185913	Decal, Drive Control Adjustment (back)	55	175739	Driveshaft Cover
12	12000058	E-Ring	57	188815	Frame, Grassbag
13	188330	Pinion Assembly, RH	61	187525	* Case, Lower
14	189403	Dust Cover	62	187526	* Case, Upper
15	184172	Seal, Friction	63	183499	Gear, 27 Teeth
16	67725	Washer 1/2 x 1-1/2 x .134	66	187527	Shaft, Input
17	169911	Bearing, Wheel Adjuster	67	187528	Spacer
18	170143	Selector Knob	69	183505	Wire, Formed
19	175104	Disc, Drive	70	183506	Bearing, Ball
20	188291	Spring, Torsion	72	183508	Seal, Output Shaft
21	175098	Pawl	73	183509	Washer
22	175105	Retainer, Drive, LH	75	183511	Bushing
23	175103	Pinion, Gear	76	187529	Shaft, Output
24	175102	Retainer, Drive, RH	77	183513	Screw
25	188102	Keeper, Belt	78	183514	Seal, Input Shaft
26	173715	Screw			
27	175262	Pan Head Tapping Screw #10-24 x 2-3/4			
28	180329	Drive Cover			
29	169778	V-Belt			
30	77400	Hubcap			
31	132010	Hex Flange Nut			

* Use Dow Corning #709 to reseal Gear Case Halves.

NOTE: All component dimensions given in U.S. inches.
1 inch = 25.4 mm

IMPORTANT: Use only Original Equipment Manufacturer (O.E.M.) replacement parts. Failure to do so could be hazardous, damage your lawn mower and void your warranty.