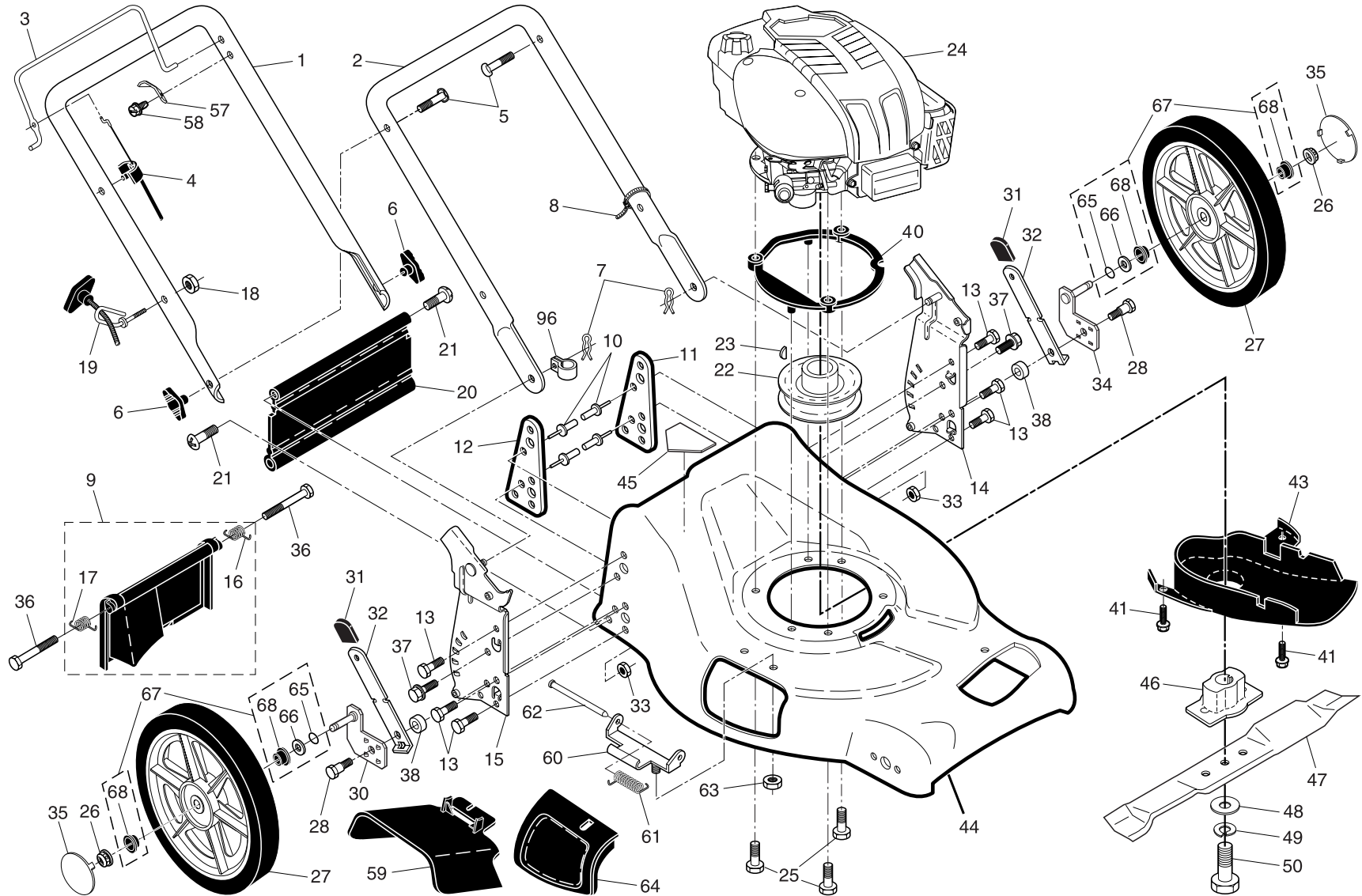


# ROTARY LAWN MOWER - - MODEL NUMBER PR7Y21RHP (MFG. ID. NUMBER 96142001201)

2



## ROTARY LAWN MOWER - - MODEL NUMBER **PR7Y21RHP** (MFG. ID. NUMBER 96142001201)

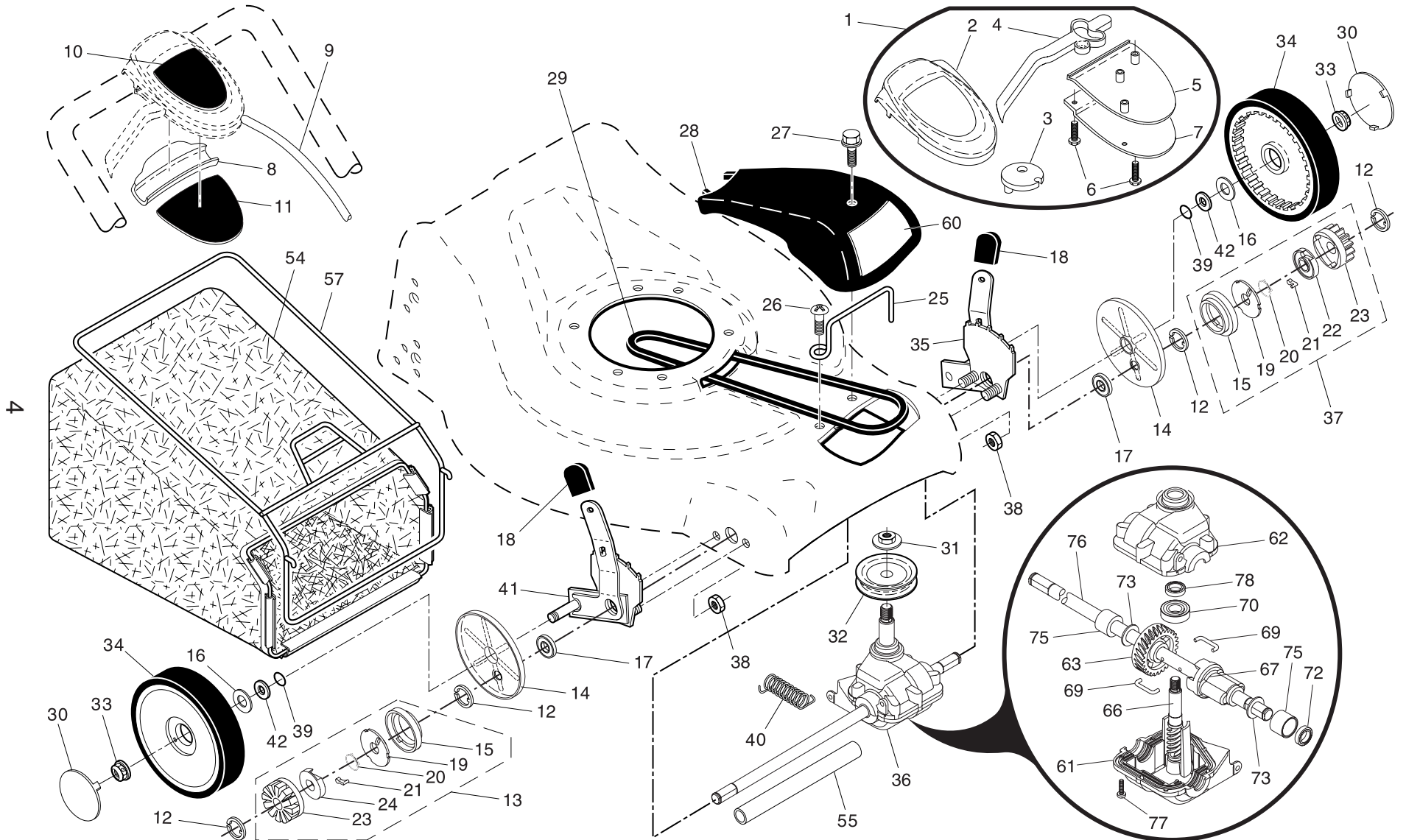
3

KEY NO.	PART NO.	DESCRIPTION	KEY NO.	PART NO.	DESCRIPTION
1	195685X479	Upper Handle	34	180412X004	Axle Arm Assembly, Rear, LH
2	151721X479	Lower Handle	35	150635X428	Hubcap
3	187940X428	Control Bar	36	184193	Bolt, Rear Door
4	183567	Engine Zone Control Cable	37	150078	Thread Cutting Screw w/Sems 5/16-18 x 3/4
5	191574	Handle Bolt	38	19112206	Washer, Flat .34 x 1.38
6	189713X428	Handle Knob	40	701313	Spacer, Engine
7	51793	Hairpin Cotter	41	192325	Screw, Debris Shield
8	66426	Wire Tie	43	187038	Debris Shield
9	180479	Kit, Rear Door (Includes Key Numbers 16 and 17)	44	176710	Kit, Housing (Includes Key Numbers 10, 11, 12 and 45)
10	128415	Pop Rivet	45	107339X	Danger Decal
11	175069X479	Support Bracket, LH	46	<b>193707</b>	Blade Adapter
12	175070X479	Support Bracket, RH	47	189028	Blade, 21"
13	17060410	Screw 1/4-20 x 5/8	48	851074	Hardened Washer
14	181016X428	Handle Bracket Assembly, LH	49	850263	Helical Washer 3/8
15	181017X428	Handle Bracket Assembly, RH	50	179617	Blade Bolt, Hex Head, Grade 8
16	180071	Spring, Rear Door, LH	57	750634	Screw #10-24 x 1/2
17	180072	Spring, Rear Door, RH	58	850733X004	Upstop Bracket
18	132004	Keps Locknut 1/4-20	59	175071	Discharge Deflector
19	179585	Rope Guide	60	175735	Hinge Bracket
20	189005	Rear Skirt	61	175285	Spring, Torsion
21	88652	Hinge Screw 1/4-20 x 1-1/4	62	175650	Rod, Hinge
22	<b>185005</b>	Pulley, Engine	63	73800400	Nut, Hex
23	<b>187723</b>	Key, Hi-Pro	64	175066	Mulcher Door
24	---	Engine, Briggs & Stratton, Model Number 12H602 (For engine service and replacement parts, call Briggs & Stratton at 1-800-233-3723)	65	188152	O-Ring
25	850999	Screw, Hex Head, Threaded, Rolled 3/8-16 x 2	66	88348	Washer, Flat 3/8
26	83923	Nut, Hex, Flangelock 3/8-16	67	193498	Kit, Bushing, High Wheel
27	195630	Wheel & Tire Assembly, Rear, 14"	68	193028X428	Bushing, Nylon, Black
28	160828	Bolt, Shoulder 5/16-18	96	192770	Clip, Cable
30	180411X004	Axle Arm Assembly, Rear, RH	--	162300	Warning Decal (not shown)
31	175478	Selector Knob	--	193733	Operator's Manual, English
32	175053X004	Selector Spring	--	193736	Operator's Manual, French
33	73800500	Nut, Hex, Nylock 5/16-18	--	195825	Repair Parts Manual, English / French

**NOTE:** All component dimensions given in U.S. inches.  
1 inch = 25.4 mm

**IMPORTANT:** Use only Original Equipment Manufacturer (O.E.M.) replacement parts. Failure to do so could be hazardous, damage your lawn mower and void your warranty.

# ROTARY LAWN MOWER - - MODEL NUMBER PR7Y21RHP (MFG. ID. NUMBER 96142001201)



# ROTARY LAWN MOWER - - MODEL NUMBER **PR7Y21RHP** (MFG. ID. NUMBER 96142001201)

KEY NO.	PART NO.	DESCRIPTION	KEY NO.	PART NO.	DESCRIPTION
1	195091	Drive Control Assembly, Complete	34	194854	Wheel & Tire Assembly, Front
2	188277	Cover, Top	35	180915	Kit, Wheel Adjuster, LH (Includes Knob and Bearing)
3	187353	Pulley	36	187212	Gear Case Assembly, Complete
4	195585	Lever	37	188331	Pinion Assembly, LH
5	188276	Cover, Bottom	38	73800400	Locknut 1/4-20
6	181698	Screw #8 x .62	39	<b>188152</b>	O-Ring
7	184212X479	Mounting Bracket	40	182226	Spring
8	184987	Cap, Bottom	41	180914	Kit, Wheel Adjuster, RH (Includes Knob and Bearing)
9	195412	Cable, Drive	42	<b>88348</b>	Washer, Flat
10	195175	Decal, Drive Control Operation	54	194697	Grassbag Assembly
11	185913	Decal, Drive Control Adjustment (back)	55	175739	Driveshaft Cover
12	12000058	E-Ring	57	188815	Frame, Grassbag
13	188330	Pinion Assembly, RH	60	181758	Decal, Drive Cover
14	189403	Dust Cover	61	187525	* Case, Lower
15	184172	Seal, Friction	62	187526	* Case, Upper
16	67725	Washer 1/2 x 1-1/2 x .134	63	183499	Gear, 27 Teeth
17	167387	Bearing, Wheel Adjuster	66	187527	Shaft, Input
18	170143	Selector Knob	67	187528	Spacer
19	175104	Disc, Drive	69	183505	Wire, Formed
20	188291	Spring, Torsion	70	183506	Bearing, Ball
21	175098	Pawl	72	183508	Seal, Output Shaft
22	175105	Retainer, Drive, LH	73	183509	Washer
23	175103	Pinion, Gear	75	183511	Bushing
24	175102	Retainer, Drive, RH	76	187529	Shaft, Output
25	188102	Keeper, Belt	77	183513	Screw
26	173715	Screw	78	183514	Seal, Input Shaft
27	175262	Pan Head Tapping Screw #10-24 x 2-3/4			
28	180329	Drive Cover			
29	169778	V-Belt			
30	77400	Hubcap			
31	132010	Hex Flange Nut			
32	189406	Drive Pulley			
33	145212	Locknut			

\* Use Dow Corning #709 to reseal Gear Case Halves.

**NOTE:** All component dimensions given in U.S. inches.  
1 inch = 25.4 mm

**IMPORTANT:** Use only Original Equipment Manufacturer (O.E.M.) replacement parts. Failure to do so could be hazardous, damage your lawn mower and void your warranty.