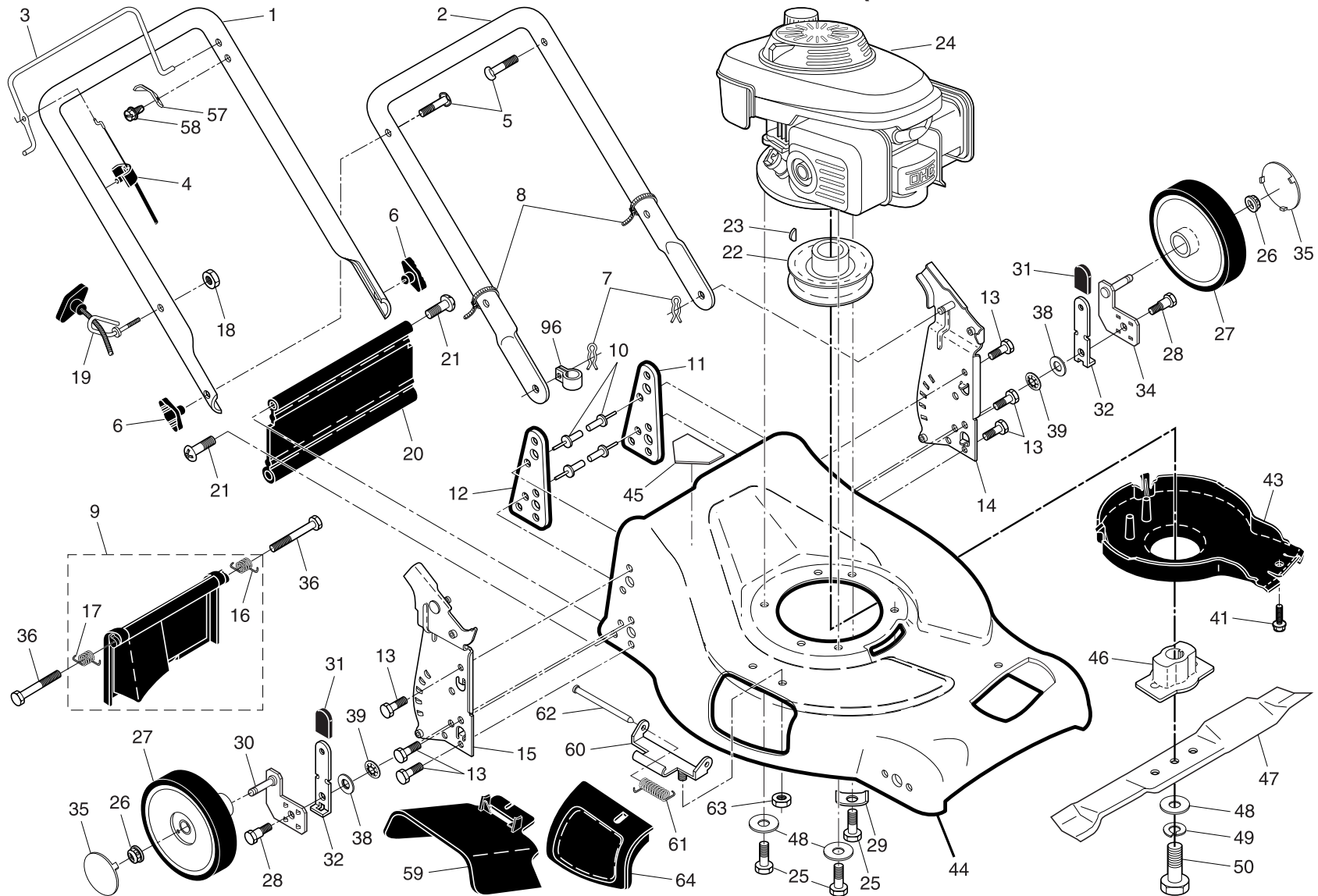


# ROTARY LAWN MOWER - - MODEL NUMBER **PO55Y21C** (MFG. ID. NUMBER 96142001700)

2



## ROTARY LAWN MOWER - - MODEL NUMBER **PO55Y21C** (MFG. ID. NUMBER 96142001700)

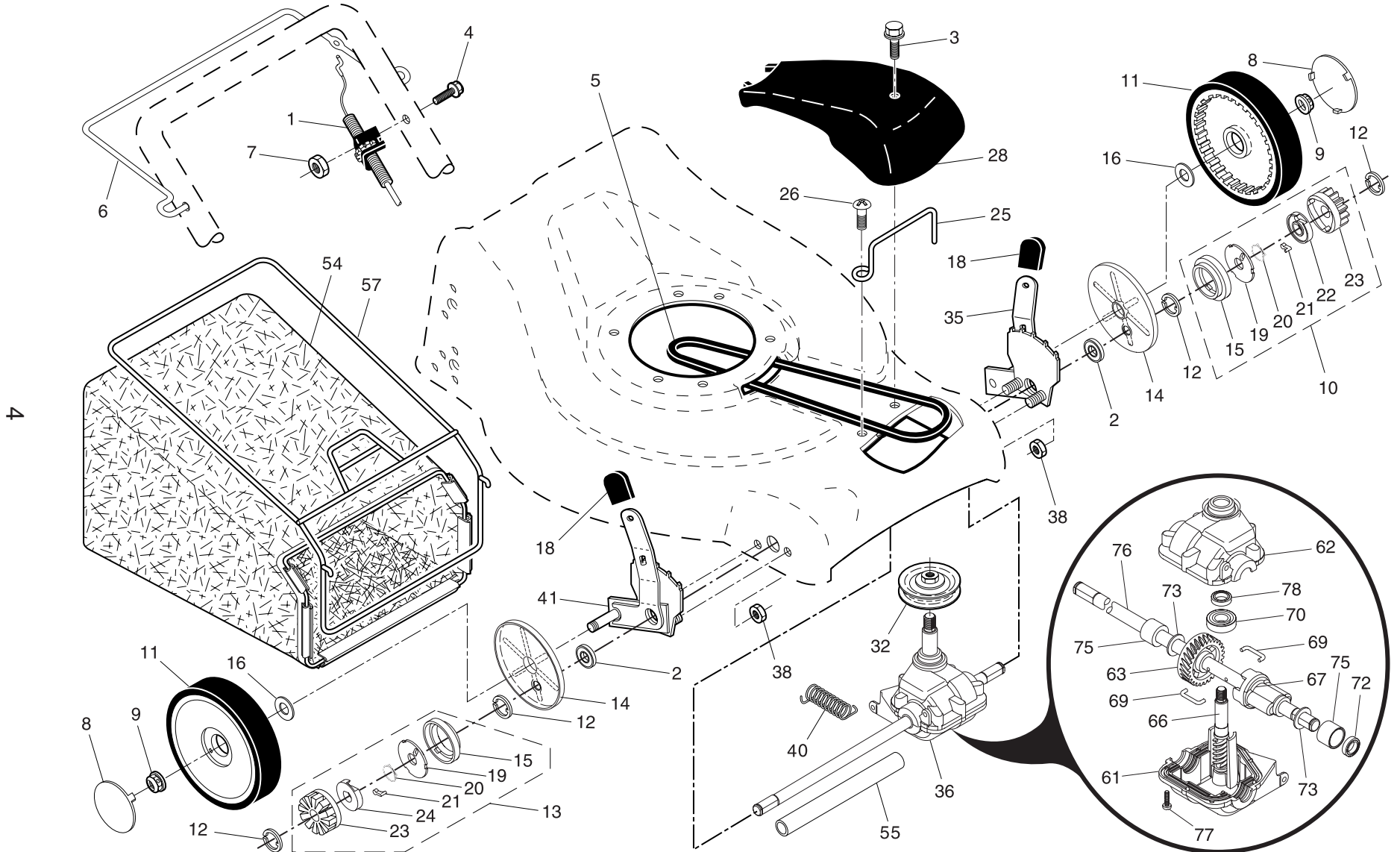
3

KEY NO.	PART NO.	DESCRIPTION	KEY NO.	PART NO.	DESCRIPTION
1	185508X479	Upper Handle	30	189596X004	Axle Arm Assembly, Rear, RH
2	151721X479	Lower Handle	31	87877	Selector Knob
3	182810	Control Bar	32	175060X004	Selector Spring
4	183567	Engine Zone Control Cable	34	189597X004	Axle Arm Assembly, Rear, LH
5	191574	Handle Bolt	35	77400	Hubcap
6	189713X428	Handle Knob	36	184193	Bolt, Rear Door
7	51793	Hairpin Cotter	38	176185	Washer, Flat .34 x 1.38
8	66426	Wire Tie	39	176235	Push Nut
9	180479	Kit, Rear Door (Includes Key Numbers 16 and 17)	41	192325	Screw, Debris Shield
10	128415	Pop Rivet	43	187038	Debris Shield
11	175069X479	Support Bracket, LH	44	190495	Kit, Housing (Includes Key Numbers 10, 11, 12 and 45)
12	175070X479	Support Bracket, RH	45	107339X	Danger Decal
13	17060410	Screw 1/4-20 x 5/8	46	193707	Blade Adapter
14	175081X479	Handle Bracket Assembly, LH	47	189028	Blade, 21"
15	175082X479	Handle Bracket Assembly, RH	48	851074	Hardened Washer
16	180071	Spring, Rear Door, LH	49	850263	Helical Washer 3/8
17	180072	Spring, Rear Door, RH	50	851084	Blade Bolt, Hex Head, Grade 8
18	132004	Keys Locknut 1/4-20	57	850733X004	Bracket, Upstop
19	179585	Rope Guide	58	750634	Screw
20	189005	Rear Skirt	59	175071	Discharge Deflector
21	88652	Hinge Screw 1/4-20 x 1-1/4	60	175735	Hinge Bracket
22	185005	Pulley, Engine	61	175285	Spring
23	187723	Key, Hi-Pro	62	175650	Rod, Hinge
24	---	Engine, Honda, Model Number GCV160 (For engine service and replacement parts, call Honda Engines at 1-800-426-7701)	63	73800400	Nut, Hex
25	150406	Screw, Hex Head, Threaded, Rolled 3/8-16 x 2	64	175066	Mulcher Door
26	83923	Nut, Hex, Flangelock 3/8-16	96	192770	Clip, Cable
27	146247	Wheel & Tire Assembly, Rear	--	162300	Warning Decal (not shown)
28	189312	Bolt, Shoulder 5/16-18	--	193733	Operator's Manual, English
29	851201X004	Washer, Engine, Zinc Plated	--	193736	Operator's Manual, French
			--	197278	Repair Parts Manual, English / French

**NOTE:** All component dimensions given in U.S. inches. 1 inch = 25.4 mm.

**IMPORTANT:** Use only Original Equipment Manufacturer (O.E.M.) replacement parts. Failure to do so could be hazardous, damage your lawn mower and void your warranty.

# ROTARY LAWN MOWER - - MODEL NUMBER **P055Y21C** (MFG. ID. NUMBER 96142001700)



# ROTARY LAWN MOWER - - MODEL NUMBER **PO55Y21C** (MFG. ID. NUMBER 96142001700)

KEY NO.	PART NO.	DESCRIPTION	KEY NO.	PART NO.	DESCRIPTION
1	189182	Drive Control Assembly, Complete	35	180915	Kit, Wheel Adjuster, LH (Includes Knob and Bearing)
3	175262	Pan Head Tapping Screw #10-24 x 2-3/4	36	187212	Gear Case Assembly, Complete
4	185681	Screw	37	188331	Pinion Assembly, LH
5	169778	V-Belt	38	73800400	Locknut 1/4-20
6	188952X428	Control Bar, Drive	40	182226	Spring
7	151152	Nut, Hex	41	180914	Kit, Wheel Adjuster, RH (Includes Knob and Bearing)
8	77400	Hubcap	54	197279	Grassbag Assembly
9	145212	Locknut	55	175739	Driveshaft Cover
11	180776	Wheel & Tire Assembly, Front	57	188815	Frame, Grassbag
12	12000058	E-Ring	61	187525	* Case, Lower
13	188330	Pinion Assembly, RH	62	187526	* Case, Upper
14	189403	Dust Cover	63	183499	Gear, 27 Teeth
15	184172	Seal, Friction	66	187527	Shaft, Input
16	67725	Washer 1/2 x 1-1/2 x .134	67	187528	Spacer
17	169911	Bearing, Wheel Adjuster	69	183505	Wire, Formed
18	87877	Selector Knob	70	183506	Bearing, Ball
19	175104	Disc, Drive	72	183508	Seal, Output Shaft
20	188291	Spring, Torsion	73	183509	Washer
21	175098	Pawl	75	183511	Bushing
22	175105	Retainer, Drive, LH	76	187529	Shaft, Output
23	175103	Pinion, Gear	77	183513	Screw
24	175102	Retainer, Drive, RH	78	183514	Seal, Input Shaft
25	188102	Keeper, Belt			
26	173715	Screw			
28	181467	Drive Cover			
32	194018	Drive Pulley			

\* Use Dow Corning #709 to reseal Gear Case Halves.

**NOTE:** All component dimensions given in U.S. inches. 1 inch = 25.4 mm.

**IMPORTANT:** Use only Original Equipment Manufacturer (O.E.M.) replacement parts. Failure to do so could be hazardous, damage your lawn mower and void your warranty.