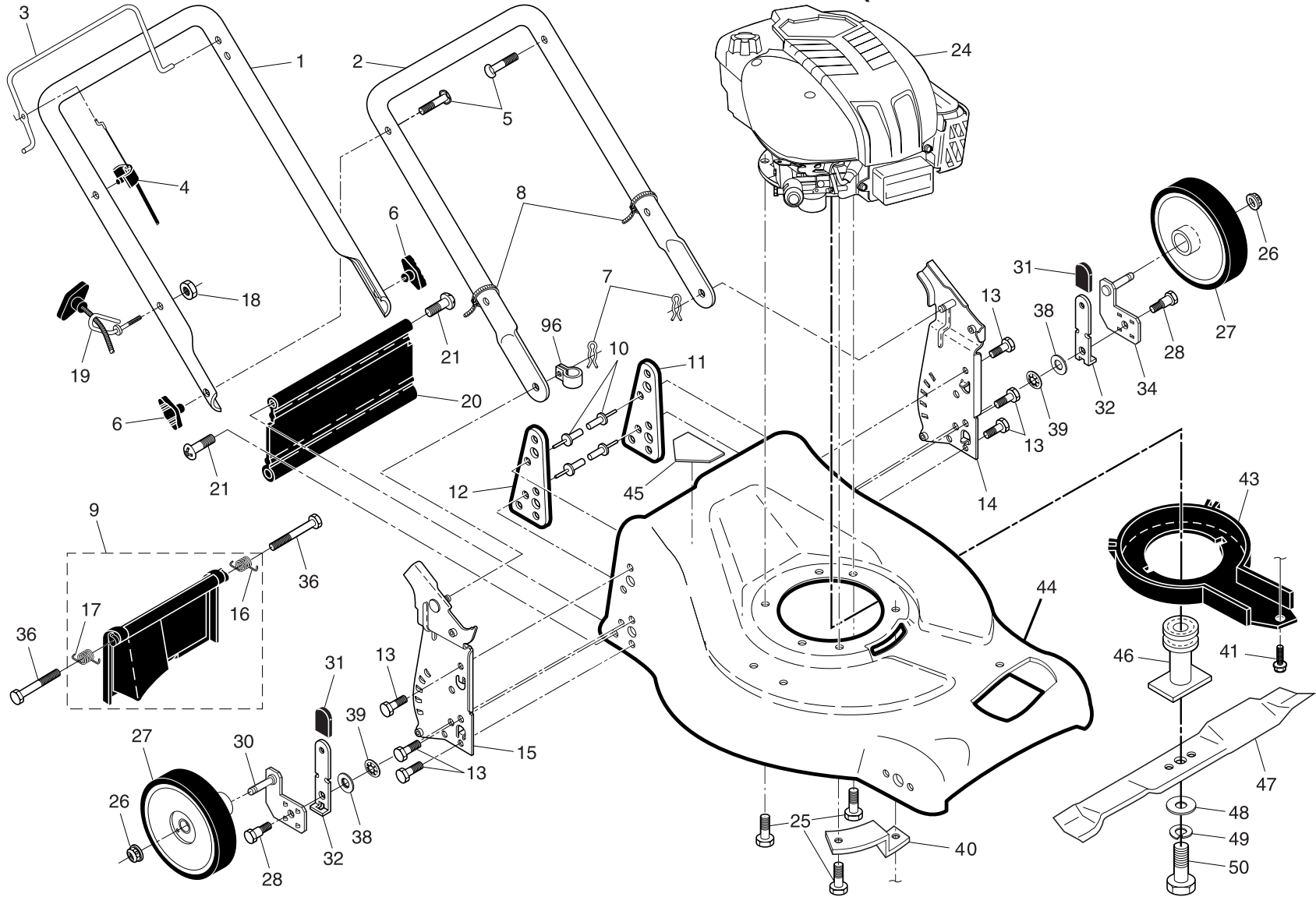


ROTARY LAWN MOWER -- MODEL NUMBER **PO675Y21R** (MFG. ID. NUMBER 96142001901)

2



ROTARY LAWN MOWER - - MODEL NUMBER **PO675Y21R** (MFG. ID. NUMBER 96142001901)

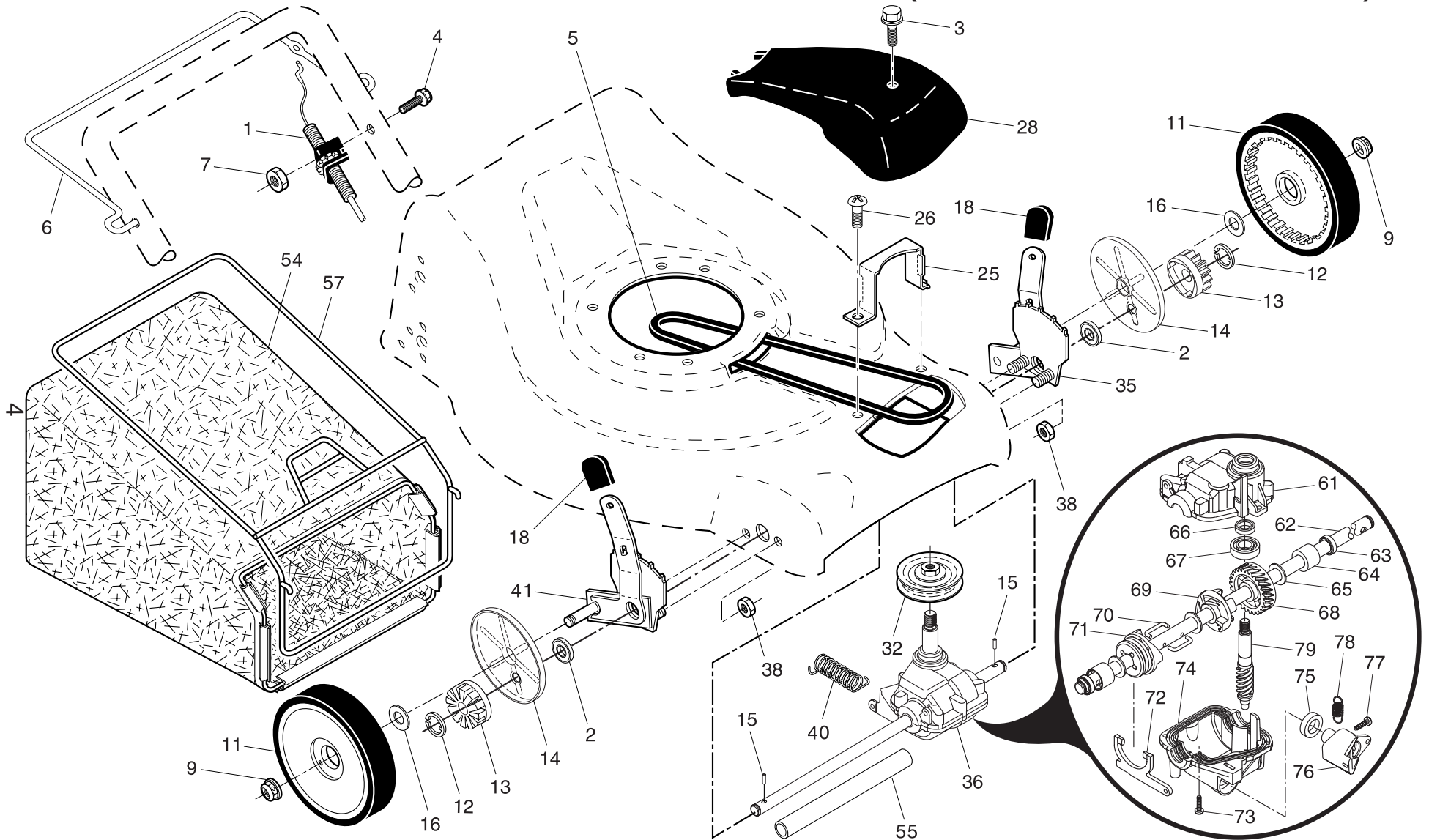
3

KEY NO.	PART NO.	DESCRIPTION	KEY NO.	PART NO.	DESCRIPTION
1	185508X479	Upper Handle	28	189312	Shoulder Bolt 5/16-18 x .33
2	151721X479	Lower Handle	30	189596X004	Axle Arm Assembly, Rear, RH
3	182810	Control Bar	31	87877	Selector Knob
4	183567	Engine Zone Control Cable	32	175060X004	Selector Spring
5	191574	Handle Bolt	34	189597X004	Axle Arm Assembly, Rear, LH
6	189713X428	Handle Knob	36	184193	Bolt
7	51793	Hairpin Cotter	38	176185	Washer, Step
8	66426	Wire Tie	39	176235	Pushnut
9	180479	Kit, Rear Door (Includes Key #16 and 17)	40	188839X004	Mounting Bracket, Debris Shield
10	128415	Pop Rivet	41	192325	Screw, Debris Shield
11	175069X479	Support Bracket, LH	43	193668	Debris Shield
12	175070X479	Support Bracket, RH	44	190541	Kit, Lawn Mower Housing (Includes Key Numbers 10, 11, 12 and 45)
13	17060410	Screw 1/4-20 x 5/8	45	107339X	Danger Decal
14	175082X479	Handle Bracket Assembly, LH	46	194037	Blade Adapter / Pulley
15	175081X479	Handle Bracket Assembly, RH	47	189028	Blade, 21"
16	180071	Spring, Rear Door, LH	48	851074	Hardened Washer
17	180072	Spring, Rear Door, RH	49	850263	Helical Washer
18	132004	Keps Locknut 1/4-20	50	851084	Hex Head Machine Screw 3/8-24 x 1-3/8 Grade 8
19	179585	Rope Guide	57	850733X004	Upstop Bracket
20	189005	Rear Skirt	58	750634	Screw
21	88652	Hinge Screw 1/4-20 x 1-1/4	96	192770	Clip, Cable
24	---	Engine, Briggs & Stratton, Model Number 126602 (Order Parts from Engine Manufacturer)	--	162300	Warning Decal (not shown)
25	150406	Screw, Hex Head, Thread Rolling 3/8-16 x 1-1/8	--	193733	Operator's Manual, English
26	83923	Hex Flange Nut	--	193736	Operator's Manual, French
27	193909X427	Wheel & Tire Assembly	--	197965	Repair Parts Manual, English / French

NOTE: All component dimensions given in U.S. inches. 1 inch = 25.4 mm.

IMPORTANT: Use only Original Equipment Manufacturer (O.E.M.) replacement parts. Failure to do so could be hazardous, damage your lawn mower and void your warranty.

ROTARY LAWN MOWER - - MODEL NUMBER **PO675Y21R** (MFG. ID. NUMBER 96142001901)



ROTARY LAWN MOWER - - MODEL NUMBER **PO675Y21R** (MFG. ID. NUMBER 96142001901)

KEY NO.	PART NO.	DESCRIPTION	KEY NO.	PART NO.	DESCRIPTION
1	193480	Cable Assembly, Drive Control	41	195107	Kit, Wheel Adjuster, RH (Includes Knob and Bearing)
2	191039	Bearing, Wheel Adjuster	54	197279	Grassbag Assembly
3	175262	Pan Head Tapping Screw #10-24 x 2-3/4	55	175739	Driveshaft Cover
4	185681	Screw, Hex Washer Head 1/4-20 x 1-3/4	57	194643	Frame, Grassbag
5	194149	V-Belt	61	196886	Case, Upper
6	194185X428	Control Bar, Drive	62	196885	Shaft, Output
7	751152	Nut, Hex, Flangelock 1/4-20	63	183508	Seal, Output Shaft
9	83923	Locknut	64	183511	Bushing
11	193912X427	Wheel & Tire Assembly	65	183509	Washer
12	12000058	E-Ring	66	183514	Seal, Worm Shaft
13	750003	Pinion	67	183506	Bearing, Ball
14	189403	Dust Cover	68	183499	Gear, 27 Teeth
15	191017	Pawl, Drive	69	196884	Fixed Dog Clutch
16	67725	Washer 1/2 x 1-1/2 x .134	70	183505	Wireform
18	87877	Selector Knob	71	196883	Movable Dog Clutch
25	193687	Belt Keeper	72	196882	Fork
26	150078	Screw, Hex Head 5/16-18 x 3/4	73	183513	Screw, Case
28	181467	Drive Cover	74	196881	Case, Lower
32	194018	Drive Pulley	75	196880	Seal, Lever
35	195110	Kit, Wheel Adjuster, LH (Includes Knob and Bearing)	76	196879	Lever
36	188296	Gear Case Assembly, Complete	77	196878	Screw, Lever
38	73800400	Locknut, Hex 1/4-20	78	196877	Spring
40	192849	Spring	79	183502	Shaft, Worm

NOTE: All component dimensions given in U.S. inches. 1 inch = 25.4 mm.

IMPORTANT: Use only Original Equipment Manufacturer (O.E.M.) replacement parts. Failure to do so could be hazardous, damage your lawn mower and void your warranty.