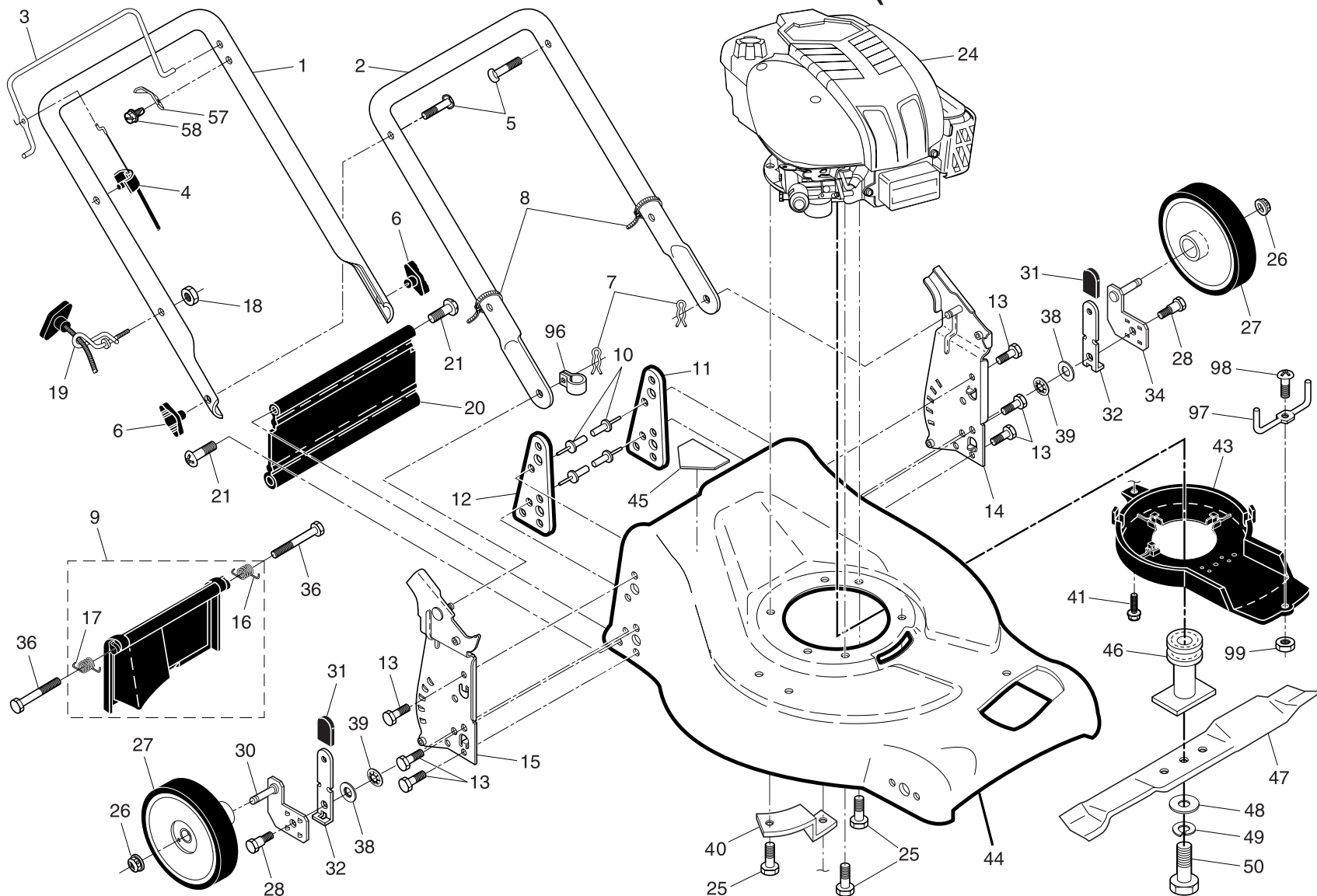


ROTARY LAWN MOWER - - MODEL NUMBER P0675Y21R (MFG. ID. NUMBER 96142001902)

2



ROTARY LAWN MOWER - - MODEL NUMBER **PO675Y21R** (MFG. ID. NUMBER 96142001902)

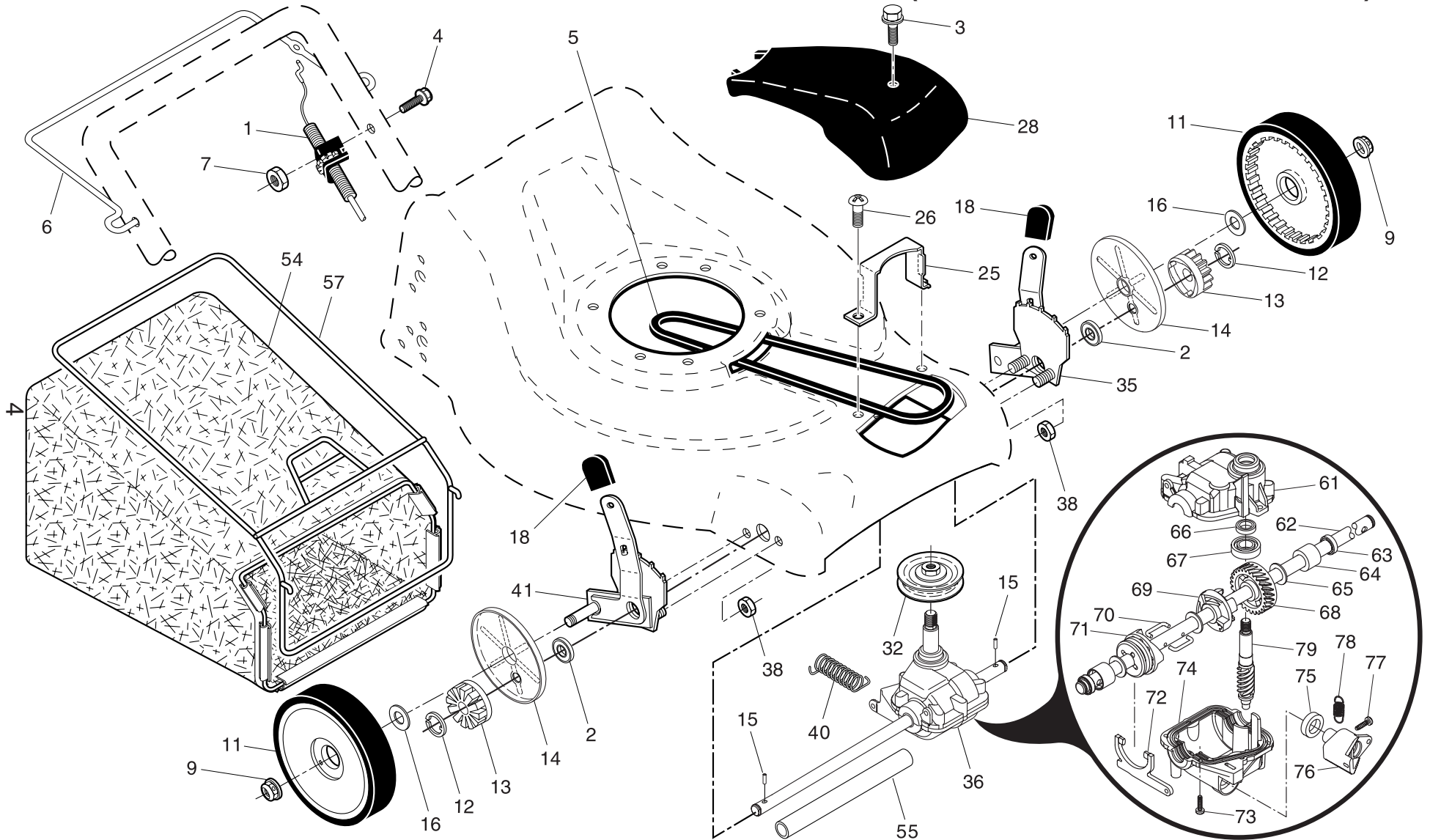
3

KEY NO.	PART NO.	DESCRIPTION	KEY NO.	PART NO.	DESCRIPTION
1	185508X479	Upper Handle	30	189596X004	Axle Arm Assembly, Rear, RH
2	151721X479	Lower Handle	31	87877	Selector Knob
3	182810	Control Bar	32	175060X004	Selector Spring
4	183567	Engine Zone Control Cable	34	189597X004	Axle Arm Assembly, Rear, LH
5	191574	Handle Bolt	36	184193	Bolt
6	189713X428	Handle Knob	38	176185	Washer, Step
7	51793	Hairpin Cotter	39	176235	Pushnut
8	66426	Wire Tie	40	188839X004	Mounting Bracket, Debris Shield
9	180479	Kit, Rear Door (Includes Key #16 and 17)	41	192325	Screw, Debris Shield
10	128415	Pop Rivet	43	198910	Debris Shield
11	175069X479	Support Bracket, LH	44	190541	Kit, Lawn Mower Housing (Includes Key Numbers 10, 11, 12 and 45)
12	175070X479	Support Bracket, RH	45	107339X	Danger Decal
13	17060410	Screw 1/4-20 x 5/8	46	194037	Blade Adapter / Pulley
14	175082X479	Handle Bracket Assembly, LH	47	189028	Blade, 21"
15	175081X479	Handle Bracket Assembly, RH	48	851074	Hardened Washer
16	180071	Spring, Rear Door, LH	49	850263	Helical Washer
17	180072	Spring, Rear Door, RH	50	851084	Hex Head Machine Screw 3/8-24 x 1-3/8 Grade 8
18	132004	Keys Locknut 1/4-20	57	850733X004	Upstop Bracket
19	194788	Rope Guide	58	750634	Screw
20	189005	Rear Skirt	96	192770	Clip, Cable
21	88652	Hinge Screw 1/4-20 x 1-1/4	97	197162	Belt Keeper
24	- - -	Engine, Briggs & Stratton, Model Number 126602 (Order Parts from Engine Manufacturer)	98	182227	Screw, Machine #8
25	150406	Screw, Hex Head, Thread Rolling 3/8-16 x 1-1/8	99	182228	Nut, Hex #8
26	83923	Hex Flange Nut	--	162300	Warning Decal (not shown)
27	193909X427	Wheel & Tire Assembly	--	193733	Operator's Manual, English
28	189312	Shoulder Bolt 5/16-18 x .33	--	193736	Operator's Manual, French
			--	199032	Repair Parts Manual, English / French

NOTE: All component dimensions given in U.S. inches. 1 inch = 25.4 mm.

IMPORTANT: Use only Original Equipment Manufacturer (O.E.M.) replacement parts. Failure to do so could be hazardous, damage your lawn mower and void your warranty.

ROTARY LAWN MOWER - - MODEL NUMBER **PO675Y21R** (MFG. ID. NUMBER 96142001902)



ROTARY LAWN MOWER - - MODEL NUMBER **PO675Y21R** (MFG. ID. NUMBER 96142001902)

5

KEY NO.	PART NO.	DESCRIPTION	KEY NO.	PART NO.	DESCRIPTION
1	193480	Cable Assembly, Drive Control	41	195107	Kit, Wheel Adjuster, RH (Includes Knob and Bearing)
2	191039	Bearing, Wheel Adjuster	54	197279	Grassbag Assembly
3	175262	Pan Head Tapping Screw #10-24 x 2-3/4	55	175739	Driveshaft Cover
4	185681	Screw, Hex Washer Head 1/4-20 x 1-3/4	57	194643	Frame, Grassbag
5	194149	V-Belt	61	196886	Case, Upper
6	194185X428	Control Bar, Drive	62	196885	Shaft, Output
7	751152	Nut, Hex, Flangelock 1/4-20	63	183508	Seal, Output Shaft
9	83923	Locknut	64	183511	Bushing
11	193912X427	Wheel & Tire Assembly	65	183509	Washer
12	12000058	E-Ring	66	183514	Seal, Worm Shaft
13	750003	Pinion	67	183506	Bearing, Ball
14	189403	Dust Cover	68	183499	Gear, 27 Teeth
15	191017	Pawl, Drive	69	196884	Fixed Dog Clutch
16	67725	Washer 1/2 x 1-1/2 x .134	70	183505	Wireform
18	87877	Selector Knob	71	196883	Movable Dog Clutch
25	198897X004	Belt Keeper	72	196882	Fork
26	150078	Screw, Hex Head 5/16-18 x 3/4	73	183513	Screw, Case
28	181467	Drive Cover	74	196881	Case, Lower
32	194018	Drive Pulley	75	196880	Seal, Lever
35	195110	Kit, Wheel Adjuster, LH (Includes Knob and Bearing)	76	196879	Lever
36	188296	Gear Case Assembly, Complete	77	196878	Screw, Lever
38	73800400	Locknut, Hex 1/4-20	78	196877	Spring
40	192849	Spring	79	183502	Shaft, Worm

NOTE: All component dimensions given in U.S. inches. 1 inch = 25.4 mm.

IMPORTANT: Use only Original Equipment Manufacturer (O.E.M.) replacement parts. Failure to do so could be hazardous, damage your lawn mower and void your warranty.