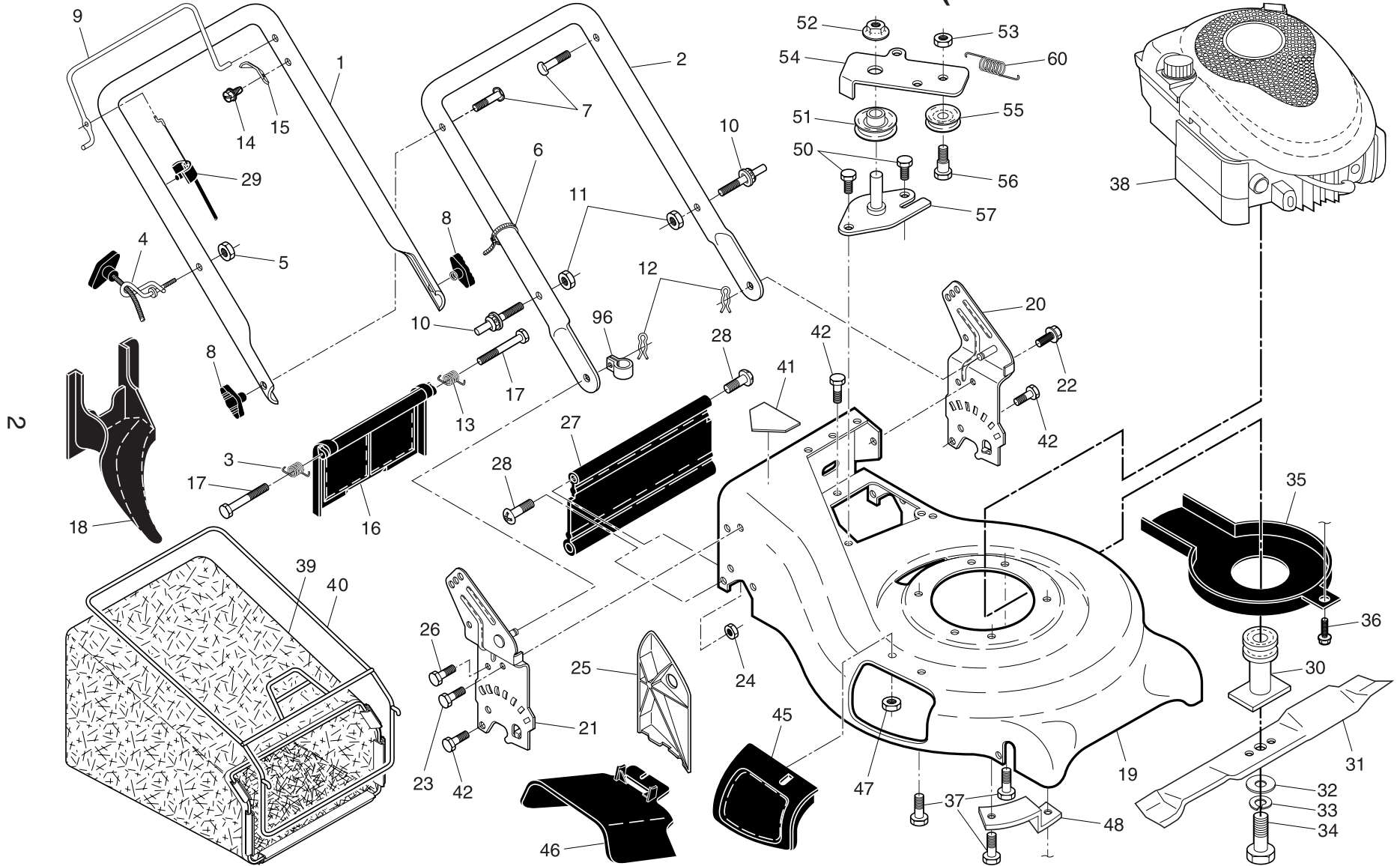


# ROTARY LAWN MOWER - - MODEL NUMBER PR65Y21RDP (MFG. ID. NUMBER 96142002300)



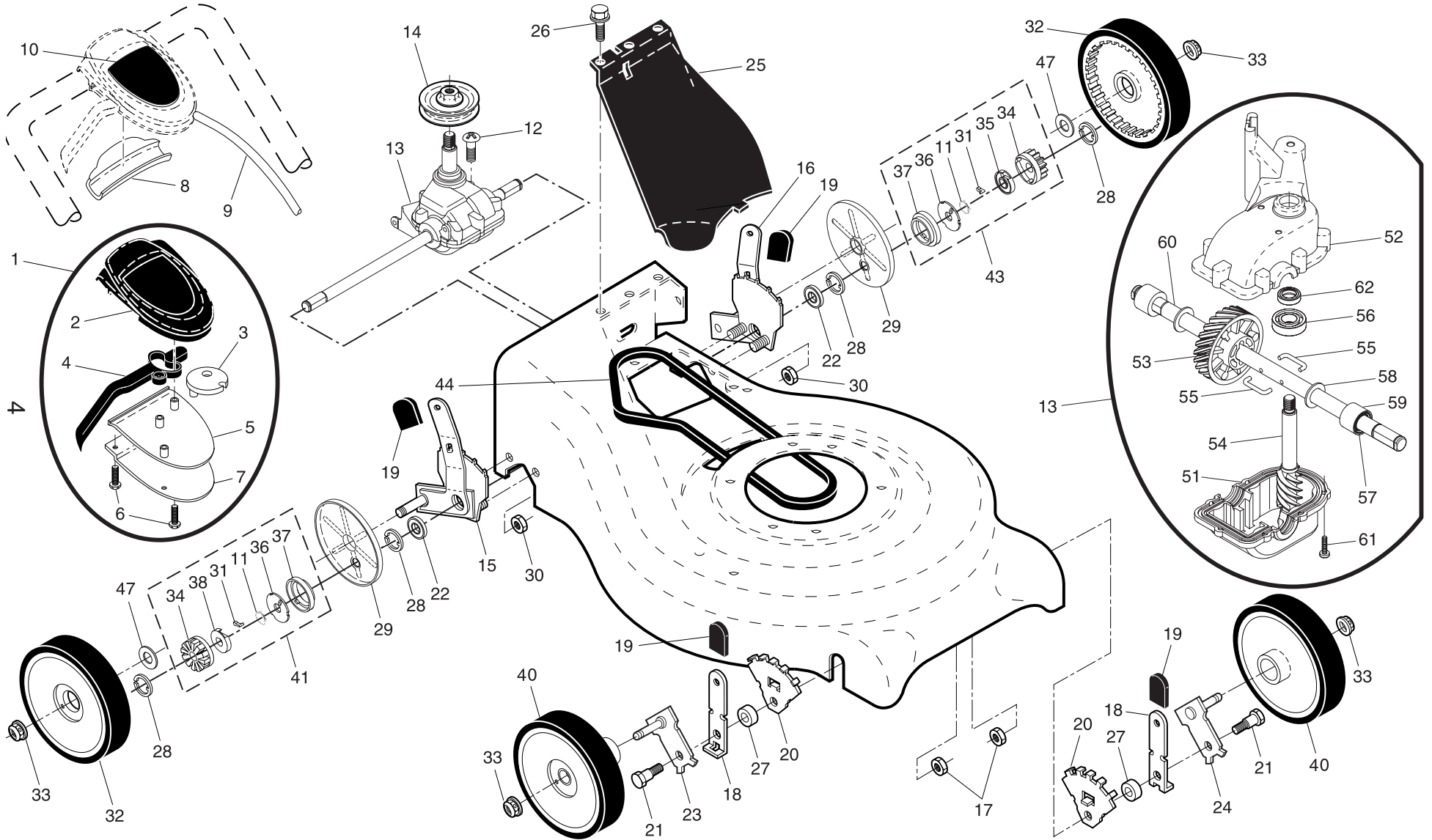
## ROTARY LAWN MOWER - - MODEL NUMBER **PR65Y21RDP** (MFG. ID. NUMBER 96142002300)

	KEY NO.	PART NO.	DESCRIPTION	KEY NO.	PART NO.	DESCRIPTION
	1	194579X479	Handle, Upper	32	851074	Washer
	2	193664X479	Handle, Lower	33	850263	Washer, Lock
	3	186053	Spring, Rear Door, RH	34	851084	Bolt, Hex Head
	4	194788	Rope Guide	35	188786	Debris Shield
	5	132004	Nut, Hex, with Lockwasher Insert 1/4-20	36	192325	Bolt
	6	66426	Wire, Tie	37	150406	Bolt, Engine
	7	191574	Bolt, Handle 5/16-18 x 2-5/8	38	- - -	Engine, B&S, Model No. 123K02 (For service and replacement parts, call B&S at 1-800-233-3723)
	8	189713X428	Knob, Handle			
	9	194580X428	Control Bar	39	402489	Grassbag
	10	188821	Bolt, Carriage	40	194644	Frame, Grassbag
	11	73930500	Locknut, Hex 5/16-18	41	107339X	Danger Decal
	12	51793	Cotter, Hairpin	42	54583	Screw
	13	186052	Spring, Rear Door, LH	45	183058X428	Mulcher Door Assembly
	14	750634	Screw	46	169699X428	Discharge Guard
ω	15	850733X004	Bracket, Upstop	47	88349	Nut, Hex
	16	185855X428	Kit, Rear Door (Includes Springs)	48	188839X004	Mounting Bracket, Debris Shield
	17	184193	Bolt, Rear Door	50	57808	Screw
	18	198170	Plug, Mulcher	51	193791	Pulley, Idler
	19	402487	Kit, Housing	52	145212	Flanged Nut
	20	192980X479	Handle Bracket Assembly, LH	53	155552	Locknut
	21	192979X479	Handle Bracket Assembly, RH	54	193792X004	Idler Arm
	22	150078	Screw, Hex Washer Head	55	166043	Idler Pulley
	23	163183	Bolt, Hex Head 5/16-18 x 5/8	56	160829	Shoulder Bolt
	24	73800500	Nut, Hex, with Lockwasher Insert 5/16-18	57	193315X004	Bracket Assembly
	25	161333	Baffle, Side	58	182003	Clip, Packaging
	26	163409	Screw #12 x 5/8	60	182226	Spring, Return
	27	192876	Skirt, Rear	96	<b>197991</b>	Clip, Cable
	28	88652	Screw, Hinge 1/4-20 x 1.25	- -	162300	Warning Decal (not shown)
	29	191221	Cable, Engine Zone Control	- -	193733	Operator's Manual, English
	30	189179	Blade Adapter / Pulley	- -	193736	Operator's Manual, French
	31	189028	Blade, 21"	- -	402486	Repair Parts Manual, English / French

**NOTE:** All component dimensions given in U.S. inches. 1 inch = 25.4 mm.

**IMPORTANT:** Use only Original Equipment Manufacturer (O.E.M.) replacement parts. Failure to do so could be hazardous, damage your lawn mower and void your warranty.

# ROTARY LAWN MOWER - - MODEL NUMBER PR65Y21RDP (MFG. ID. NUMBER 96142002300)



## ROTARY LAWN MOWER - - MODEL NUMBER **PR65Y21RDP** (MFG. ID. NUMBER 96142002300)

KEY NO.	PART NO.	DESCRIPTION	KEY NO.	PART NO.	DESCRIPTION
1	402485	Drive Control Assembly (Includes Cable)	28	12000058	E-Ring 7/16
2	195745	Cover, Top	29	189403	Cover, Dust, Wheel
3	187353	Pulley	30	73800400	Nut, Hex
4	195585	Lever, Drive Control	31	175098	Pawl
5	195744	Cover, Bottom	32	193912X421	Wheel & Tire Assembly, Rear 8 x 1-3/4
6	181698	Screw	33	83923	Nut, Flangelock 3/8-16
7	400235X479	Mounting Bracket	34	175103	Gear
8	184987	Cap, Bottom	35	175105	Retainer, Drive, LH
9	196002	Cable, Drive	36	175104	Disc, Drive
10	195175	Decal, Drive Control	37	184172	Seal, Friction
11	188291	Spring, Torsion	38	175102	Retainer, Drive, RH
12	187653	Screw	40	193909X421	Wheel & Tire Assembly, Front 8 x 1-3/4
13	193354	Gear Case Assembly, Complete	41	188330	Pinion Assembly, RH
14	193443	Pulley, Drive	43	188331	Pinion Assembly, LH
15	197235	Kit, Wheel Adjuster Assembly, RH (Includes Knob and Bearing)	44	183688	V-Belt
16	197234	Kit, Wheel Adjuster Assembly, LH (Includes Knob and Bearing)	47	67725	Washer
17	166785	Nut, Hex	51	187530	* Case, Lower
18	168360X004	Spring, Selector	52	187531	* Case, Upper
19	87877	Knob, Selector Spring	53	187532	Gear, 24 Teeth
20	160835X007	Bracket, Wheel Adjusting	54	187533	Shaft, Input
21	160828	Bolt, Shoulder, Hex Head	55	183505	Wire, Formed
22	169911	Bearing, Ball	56	183506	Bearing, Ball
23	186578X004	Axle Arm Assembly, RH	57	183508	Seal, Output Shaft
24	186577X004	Axle Arm Assembly, LH	58	183509	Washer
25	199775X428	Cover Drive	59	183511	Bushing
26	750634	Screw, Threaded, Rolled #10-25 x .50	60	197385	Shaft, Output
27	183901	Spacer	61	183513	Screw
			62	183514	Seal, Input Shaft

\* Use Dow Corning #709 to reseal Gear Case Halves.

**NOTE:** All component dimensions given in U.S. inches. 1 inch = 25.4 mm.

**IMPORTANT:** Use only Original Equipment Manufacturer (O.E.M.) replacement parts. Failure to do so could be hazardous, damage your lawn mower and void your warranty.